

THIS DRAWING IS UNPUBLISHED. RELEASED FOR PUBLICATION - - -  
 © COPYRIGHT - By - ALL RIGHTS RESERVED.

REVISIONS					
P	LTR	DESCRIPTION	DATE	DWN	APVD
T5		PART STATUS UPDATED	22JAN2018	RK	PS

PHYSICAL PROPERTIES:  
 HOUSING MATERIAL: PBT  
 FLAMMABILITY: UL94V-0  
 COLOR: BLACK  
 MAX BOW/WARP: .0056 IN/IN.

MECHANICAL:  
 PITCH (TERMINAL SPACING): .563"  
 WIRE RANGE: 10-22 AWG  
 RECOMMENDED TIGHTENING TORQUE: 14IN-LBS MAX.

TERMINAL:  
 TERMINALS: BRASS, TIN PLATED. (UNLESS OTHERWISE STATED)  
 SCREWS: 8-32 STEEL, NICKEL PLATED. (UNLESS OTHERWISE STATED)  
 Q.C. TABS: BRASS, NICKEL PLATED.

ELECTRICAL PROPERTIES:  
 MAXIMUM CURRENT: 30A  
 OPERATING VOLTAGE: 300V


ENVIRONMENTAL PROPERTIES:  
 OPERATING TEMP RANGE: -40°C TO 120°C

- △ STAINLESS STEEL SCREWS.
- △ WHITE INK STAMP.
- △ NICKEL PLATED BRASS TERMINALS.
- △ NICKEL PLATED BRASS SCREWS.
- △ SEE FIGURE.
- △ PRELIMINARY PART NUMBER.
- △ OBSOLETE PART NUMBER.
- △ TE CONNECTIVITY LOGO LOCATED APPROXIMATE AREA SHOWN.

△ 6/5	-	-	-	-	-	-	-	-	-	-	7.886	8.323	13	1-1546310-3	
△ 2/7	-	-	-	-	-	-	-	-	12	12	7.323	7.760	12	4-1546310-8	
△	-	8	-	-	-	-	12	12	12	-	7.323	7.760	12	4-1546310-7	
△	-	-	-	-	-	-	12	12	12	-	7.323	7.760	12	4-1546310-6	
	-	-	-	-	-	-	-	-	-	-	7.323	7.760	12	1-1546310-2	
	-	-	-	-	-	-	-	-	-	-	6.760	7.179	11	1-1546310-1	
	-	-	-	-	-	-	-	-	-	-	6.197	6.634	10	1-1546310-0	
	-	-	-	-	-	-	-	-	-	-	5.634	6.071	9	1546310-9	
△ 4/7	-	-	-	-	-	-	-	-	-	-	8	5.071	5.508	8	4-1546310-5
	-	8	8	-	-	-	-	-	-	-	5.071	5.508	8	2-1546310-9	
	-	-	-	-	-	-	-	-	-	-	5.071	5.508	8	1546310-8	
△	-	-	-	-	-	-	7	-	-	-	4.508	4.945	7	3-1546310-8	
	-	-	-	-	-	-	-	-	-	-	4.508	4.945	7	1546310-7	
△ 4/7	-	-	-	-	-	-	-	-	-	-	6	3.945	4.382	6	4-1546310-4
△ 4/7	-	-	-	-	-	-	-	-	-	-	6	3.945	4.382	6	4-1546310-3
△	-	-	-	-	-	-	-	-	-	-	6	3.945	4.382	6	4-1546310-2
△ 5/3/2/1	-	-	-	-	-	-	-	-	-	-	6	3.945	4.382	6	3-1546310-1
	-	-	-	-	-	-	6	-	-	-	6	3.945	4.382	6	3-1546310-0
	-	6	6	-	-	-	-	-	-	-	6	3.945	4.382	6	2-1546310-8
△ 5/4/3/7	-	1	1	-	-	-	5	1	-	-	6	3.945	4.382	6	2-1546310-6
△ 1/7	-	-	-	-	-	-	-	-	6	-	6	3.945	4.382	6	2-1546310-3
△ 1/7	-	-	-	-	-	-	6	-	-	-	6	3.945	4.382	6	2-1546310-2
△	-	-	-	-	-	-	-	-	-	6	6	3.945	4.382	6	2-1546310-1
△ 5/2/7	-	-	-	-	-	-	-	-	-	6	6	3.945	4.382	6	1546636-1
△ 6/1	-	-	-	6	-	-	-	-	6	-	6	3.945	4.382	6	1-1546310-9
△	-	-	-	6	-	-	-	-	-	-	6	3.945	4.382	6	1546589-1
	-	-	-	-	-	-	-	-	-	-	6	3.945	4.382	6	1546310-6
	-	-	-	-	-	-	5	-	-	-	5	3.382	3.819	5	3-1546310-7
	-	-	-	-	-	-	-	-	-	-	5	3.382	3.819	5	1546310-5
△ 5/4/3/7	-	1	1	-	-	-	-	1	-	5	5	3.382	3.819	5	2-1546310-7
	-	-	-	-	-	-	-	-	-	-	5	3.382	3.819	5	1546310-5
△ 2/6	-	-	-	-	-	-	-	-	4	4	4	2.819	3.256	4	5-1546310-0
△ 5/4/3/2/7	-	-	-	-	-	-	-	-	-	-	4	2.819	3.256	4	4-1546310-1
△ 4	-	-	-	-	-	-	-	-	-	-	4	2.819	3.256	4	4-1546310-0
△ 5/3/2/1	-	-	-	-	-	-	-	-	-	-	4	2.819	3.256	4	3-1546310-9
	-	-	-	-	-	-	-	-	-	-	4	2.819	3.256	4	1546310-4
△ 4/3/7	-	-	-	-	-	-	-	-	-	-	3	2.256	2.693	3	2-1546310-5
△ 5/1/7	-	-	-	-	-	-	-	-	3	1	3	2.256	2.693	3	2-1546310-4
△ 6/5/1	-	-	-	1	2	-	-	-	1	-	3	2.256	2.693	3	2-1546310-0
	-	-	-	-	-	-	-	-	-	-	3	2.256	2.693	3	1546310-3
	-	-	-	-	-	-	-	-	2	-	2	1.693	2.130	2	5-1546310-1
	-	-	-	-	-	-	-	-	-	-	2	1.693	2.130	2	1546310-2

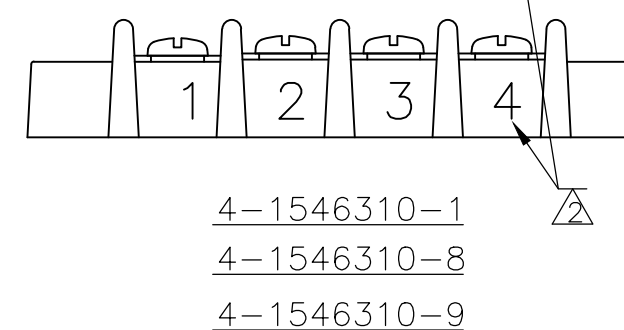
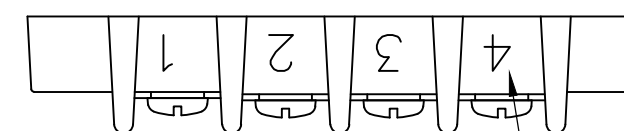
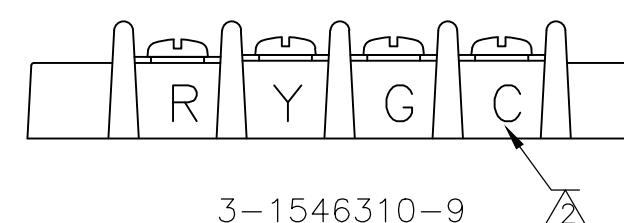
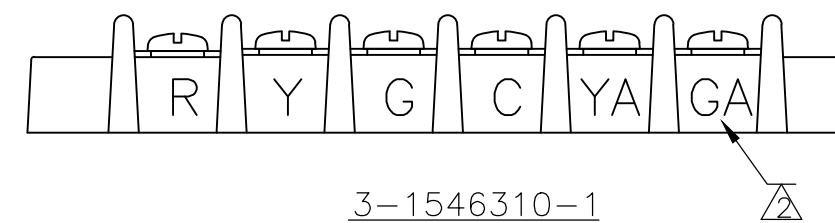
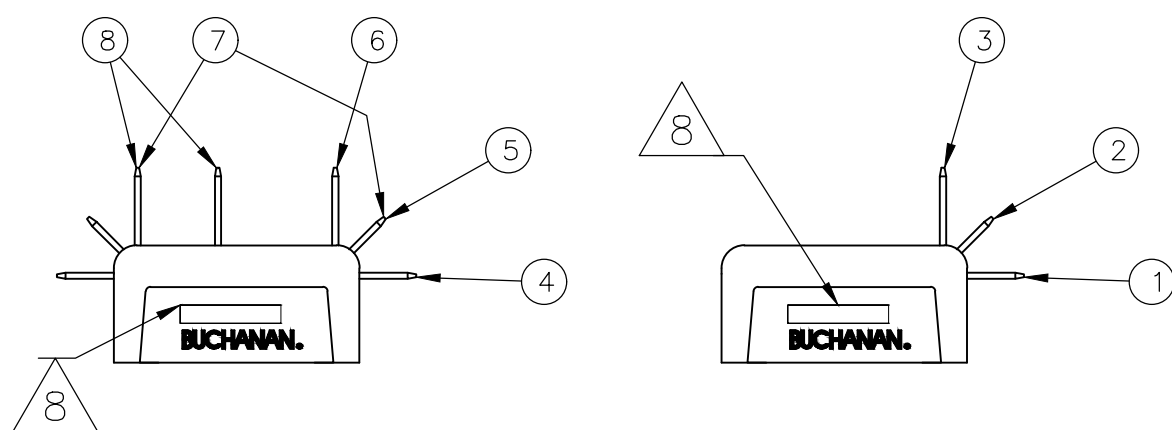
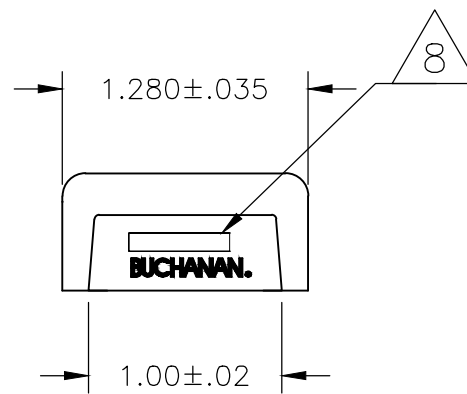
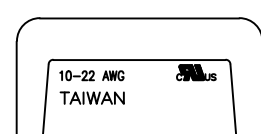
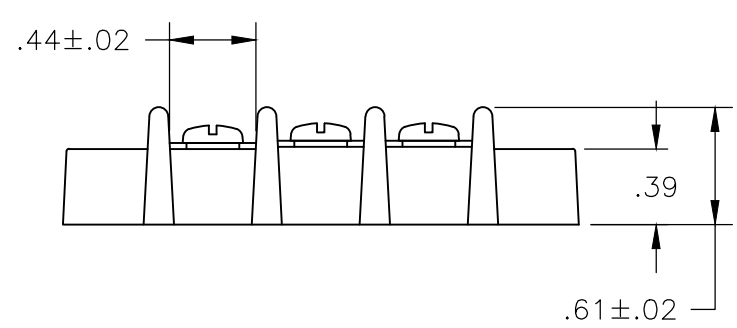
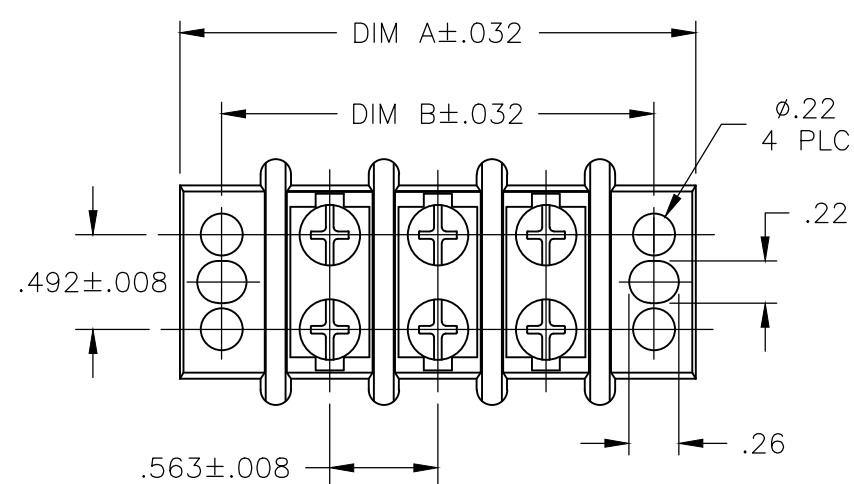
NOTES	9	8	7	6	5	4	3	2	1	DIM B	DIM A	NO. OF POSN	PART NUMBER
	(9) OTB JUMPER	(8) .250 QC TAB 90° DOUBLE SIDE	(7) .250 QC TAB 90°/45° DOUBLE SIDE	(6) .250 QC TAB 90° DOUBLE SIDE	(5) .250 QC TAB 45° DOUBLE SIDE	(4) .250 QC TAB STRAIGHT DOUBLE SIDE	(3) .250 QC TAB 90° SINGLE SIDE	(2) .250 QC TAB 45° SINGLE SIDE	(1) .250 QC TAB STRAIGHT SINGLE SIDE				

THIS DRAWING IS A CONTROLLED DOCUMENT.

DWN S SCHLEGEL 16FEB2007		 <b>TE Connectivity Ltd.</b>	<b>14.3 (.563) DBL ROW BARRIER STRIP W/O WASHER</b>
CHK S YODER 2/16/07	NAME		
APVD S YODER 2/16/07	PRODUCT SPEC		
	APPLICATION SPEC		
MATERIAL	FINISH	WEIGHT	RESTRICTED TO
		A2 00779	C=1546310
CUSTOMER DRAWING		SCALE NTS	SHEET 1 of 4

THIS DRAWING IS UNPUBLISHED. RELEASED FOR PUBLICATION  
 © COPYRIGHT - By - ALL RIGHTS RESERVED.

REVISIONS				
P	LTR	DESCRIPTION	DATE	APVD
-	-	SEE SHEET 1	-	-



△	-	-	-	-	-	-	2	-	2	-	1.693	2.130	-	5-1546310-1
-	-	-	-	-	-	-	-	-	-	-	10.701	11.138	18	1-1546310-8
-	-	-	-	-	-	-	-	-	-	-	10.138	10.575	17	1-1546310-7
-	-	-	-	-	-	-	-	-	-	-	9.575	10.012	16	1-1546310-6
-	-	-	-	-	-	-	-	-	-	-	9.012	9.449	15	1-1546310-5
△△△	-	-	-	-	-	-	-	-	14	14	8.449	8.886	14	4-1546310-9
-	-	-	-	-	-	-	-	-	-	-	8.449	8.886	14	1-1546310-4
NOTES	9	8	7	6	5	4	3	2	1		DIM B	DIM A	NO. OF POSN	PART NUMBER
	OTB JUMPER	.250 QC TAB 90° DOUBLE SIDE	.250 QC TAB 90°/45° DOUBLE SIDE	.250 QC TAB 90° DOUBLE SIDE	.250 QC TAB 45° DOUBLE SIDE	.250 QC TAB STRAIGHT DOUBLE SIDE	.250 QC TAB 90° SINGLE SIDE	.250 QC TAB 45° SINGLE SIDE	.250 QC TAB STRAIGHT SINGLE SIDE					

THIS DRAWING IS A CONTROLLED DOCUMENT.

DWN	S SCHLEGEL	16FEB2007
CHK	S YODER	2/16/07
APVD	S YODER	2/16/07
PRODUCT SPEC		
APPLICATION SPEC		
WEIGHT	-	
CUSTOMER DRAWING		

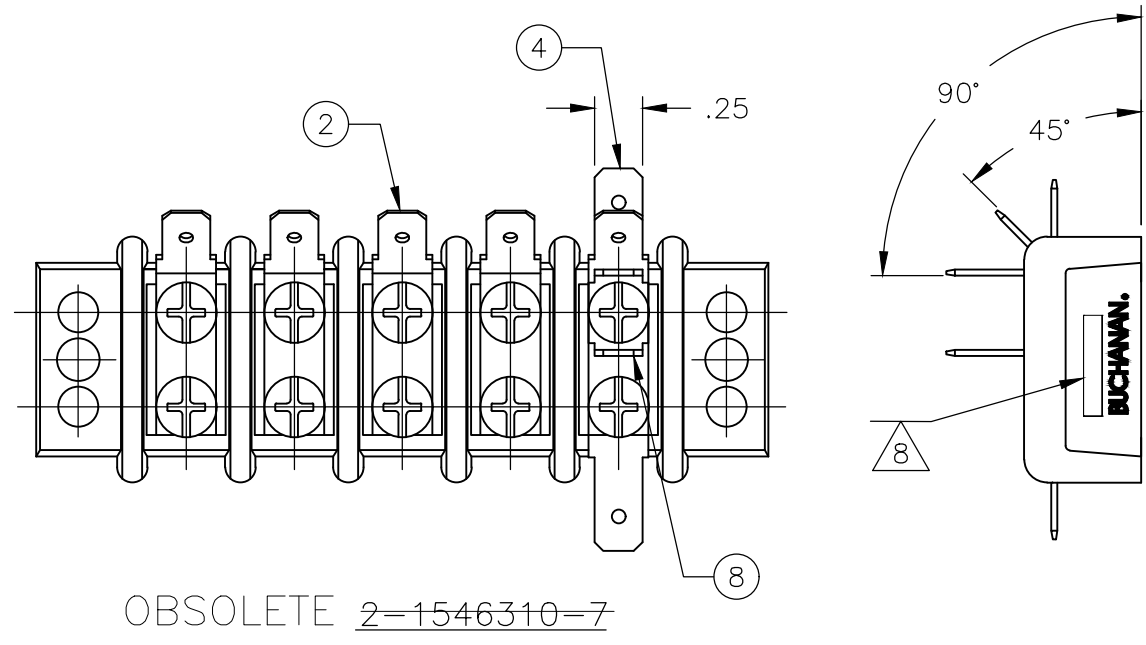
TE Connectivity Ltd.


14.3 (.563) DBL ROW BARRIER STRIP W/O WASHER

SIZE	A2	CAGE CODE	00779	DRAWING NO	C=1546310	RESTRICTED TO	-
SCALE	NTS	SHEET	2	OF 4	REV	T5	

THIS DRAWING IS UNPUBLISHED. RELEASED FOR PUBLICATION  
 © COPYRIGHT - By - ALL RIGHTS RESERVED.

REVISIONS					
P	LTR	DESCRIPTION	DATE	DWN	APVD
-	-	SEE SHEET 1	-	-	-



THIS DRAWING IS A CONTROLLED DOCUMENT.		DWN S SCHLEGEL 16FEB2007	 TE Connectivity Ltd.	
DIMENSIONS: INCHES		CHK S YODER 2/16/07		
TOLERANCES UNLESS OTHERWISE SPECIFIED:		APVD S YODER 2/16/07	SIZE A2	CAGE CODE 00779
0 PLC ± - 1 PLC ± - 2 PLC ± - 3 PLC ± - 4 PLC ± - ANGLES ± -		PRODUCT SPEC -	DRAWING NO C=1546310	RESTRICTED TO -
MATERIAL -		FINISH -	WEIGHT -	SCALE NTS
CUSTOMER DRAWING			SHEET 3 OF 4	REV T5

1546310

4

3

2


1

THIS DRAWING IS UNPUBLISHED. RELEASED FOR PUBLICATION  
 © COPYRIGHT - By - ALL RIGHTS RESERVED.

REVISIONS				
P	LTR	DESCRIPTION	DATE	APVD
-	-	SEE SHEET 1	-	-

4-1546310-7 OBSOLETE

5-1546310-1

THIS DRAWING IS A CONTROLLED DOCUMENT.		DWN S SCHLEGEL 16FEB2007	 TE Connectivity Ltd.																			
DIMENSIONS: INCHES		CHK S YODER 2/16/07																				
TOLERANCES UNLESS OTHERWISE SPECIFIED:		APVD S YODER 2/16/07	NAME 14.3 (.563) DBL ROW BARRIER STRIP W/O WASHER																			
<table border="1"> <tr> <td>0 PLC</td> <td>±</td> <td>-</td> </tr> <tr> <td>1 PLC</td> <td>±</td> <td>-</td> </tr> <tr> <td>2 PLC</td> <td>±</td> <td>-</td> </tr> <tr> <td>3 PLC</td> <td>±</td> <td>-</td> </tr> <tr> <td>4 PLC</td> <td>±</td> <td>-</td> </tr> <tr> <td>ANGLES</td> <td>±</td> <td>-</td> </tr> </table>		0 PLC	±	-	1 PLC	±	-	2 PLC	±	-	3 PLC	±	-	4 PLC	±	-	ANGLES	±	-	PRODUCT SPEC -	SIZE A2	
0 PLC	±	-																				
1 PLC	±	-																				
2 PLC	±	-																				
3 PLC	±	-																				
4 PLC	±	-																				
ANGLES	±	-																				
MATERIAL -		FINISH -	APPLICATION SPEC -	CAGE CODE 00779																		
		WEIGHT -	DRAWING NO C=1546310	RESTRICTED TO -																		
CUSTOMER DRAWING			SCALE NTS	SHEET 4 OF 4																		
			REV T5																			

1471-9 (1/15)

1546310

□

A

## X-ON Electronics

Largest Supplier of Electrical and Electronic Components

*Click to view similar products for [Barrier Terminal Blocks](#) category:*

*Click to view products by [TE Connectivity](#) manufacturer:*

Other Similar products are found below :

[CR151D20104](#) [670A-RZ-15-KT20](#) [6C1N03](#) [6PCR-02](#) [6PCR-02-008](#) [6PCR-05-008](#) [6PCR-08-008](#) [6PCR-09-008](#) [6PCR-13-006](#) [6PCR-15-006](#) [6PCR-21-006](#) [6PCV-06-008](#) [6PCV-06-716](#) [6PCV-09-001](#) [6PCV-10-009](#) [6PCV-15-008](#) [6PCV-17-1206](#) [6PCV-20-323](#) [6PCV-30-006](#) [6STR-06-006](#) [6STR-08-006](#) [6STR-12-008](#) [6STR-13-006](#) [6STR-14-008](#) [6STR-16-008](#) [6STR-17-008](#) [6STR-21-008](#) [6STR-25-008](#) [6STR-27-008](#) [6STV-03-006](#) [6STV-03-008](#) [6STV-04-006](#) [6STV-09-006](#) [6STV-10-006](#) [6WWR-03-693](#) [6WWV-12-008](#) [6WWV-16-008](#) [72212603](#) [72504-C-50](#) [72506-C](#) [72507-C-50](#) [73203](#) [75505-C](#) [75505-C-50](#) [75510-C](#) [77010-50](#) [7C1N08](#) [812-GP-3/4ST-09](#) [8-1437402-5](#) [8-1437402-7](#)