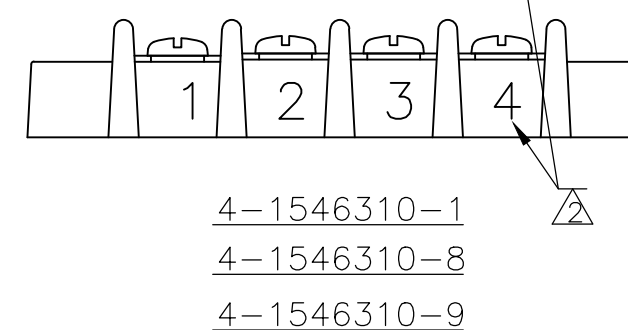
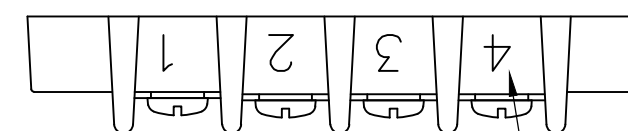
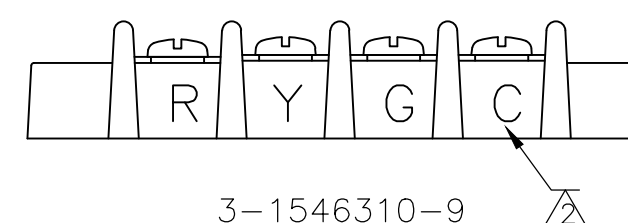
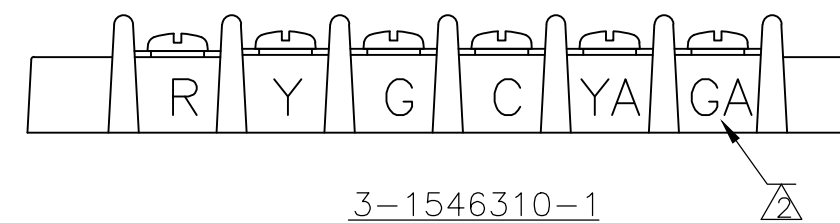
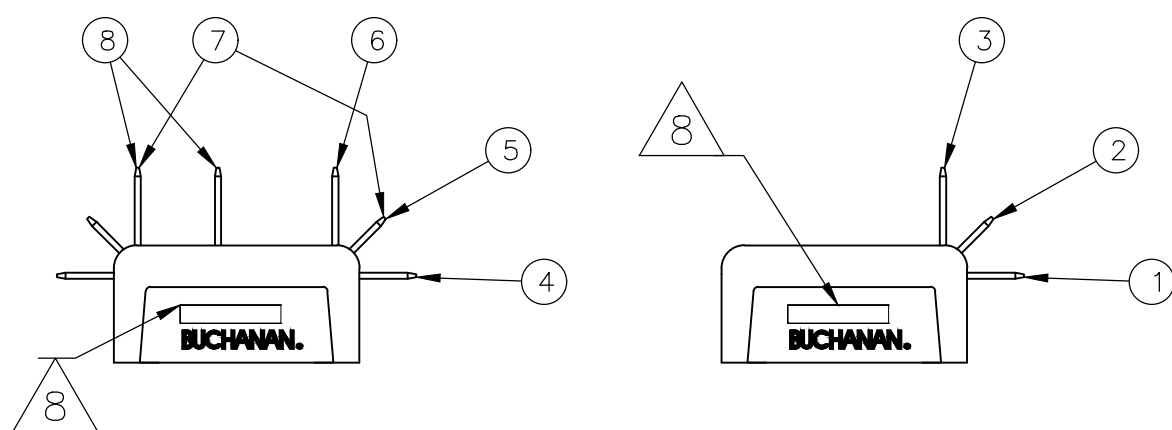
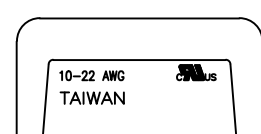
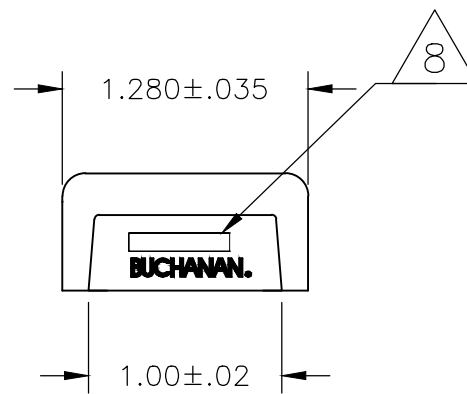
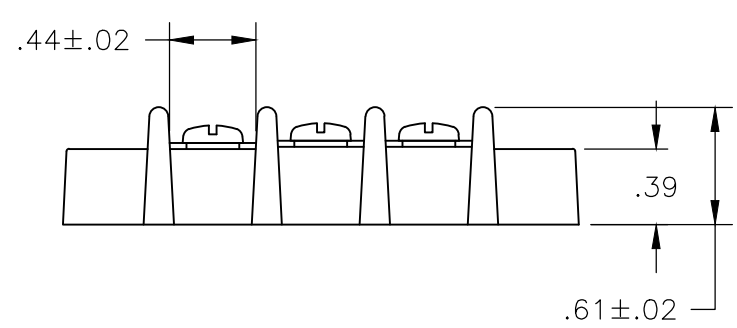
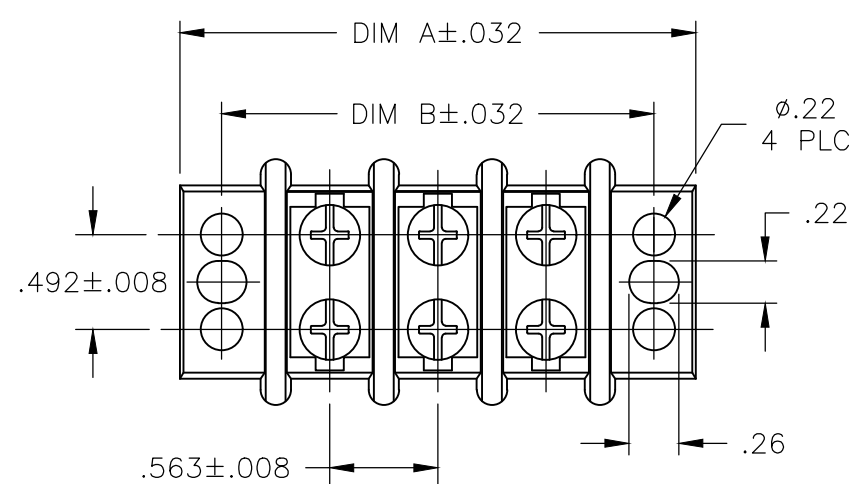




THIS DRAWING IS UNPUBLISHED. RELEASED FOR PUBLICATION  
 © COPYRIGHT - By - ALL RIGHTS RESERVED.

REVISIONS				
P	LTR	DESCRIPTION	DATE	APVD
-	-	SEE SHEET 1	-	-



REV	DESCRIPTION	DATE	BY	CHKD	APVD	QTY	POSN	NO. OF POSN	DIM B	DIM A	PART NUMBER
2						2		14	14	14	5-1546310-1
											1-1546310-8
											1-1546310-7
											1-1546310-6
											1-1546310-5
6								14	14	14	4-1546310-9
											1-1546310-4
9	OTB JUMPER										
8	.250 QC TAB 90° DOUBLE SIDE										
7	.250 QC TAB 90°/45° DOUBLE SIDE										
6	.250 QC TAB 90° DOUBLE SIDE										
5	.250 QC TAB 45° DOUBLE SIDE										
4	.250 QC TAB STRAIGHT DOUBLE SIDE										
3	.250 QC TAB 90° SINGLE SIDE										
2	.250 QC TAB 45° SINGLE SIDE										
1	.250 QC TAB STRAIGHT SINGLE SIDE										

NOTES

THIS DRAWING IS A CONTROLLED DOCUMENT.

DWN	S SCHLEGEL	16FEB2007
CHK	S YODER	2/16/07
APVD	S YODER	2/16/07
PRODUCT SPEC		
APPLICATION SPEC		
WEIGHT		

TE Connectivity Ltd.

14.3 (.563) DBL ROW BARRIER STRIP W/O WASHER

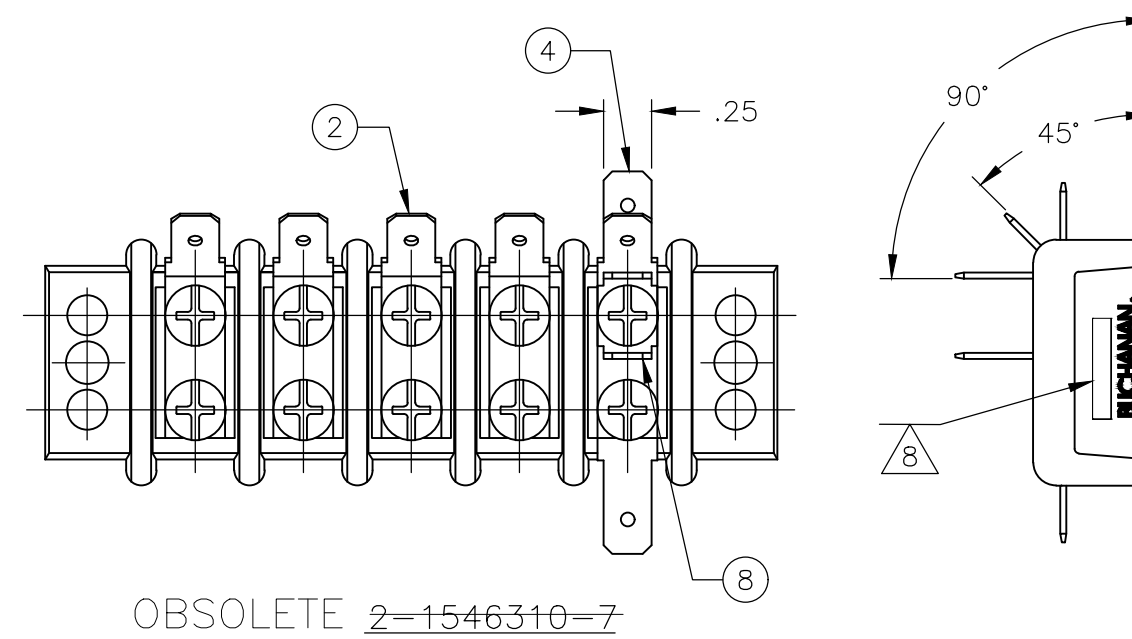
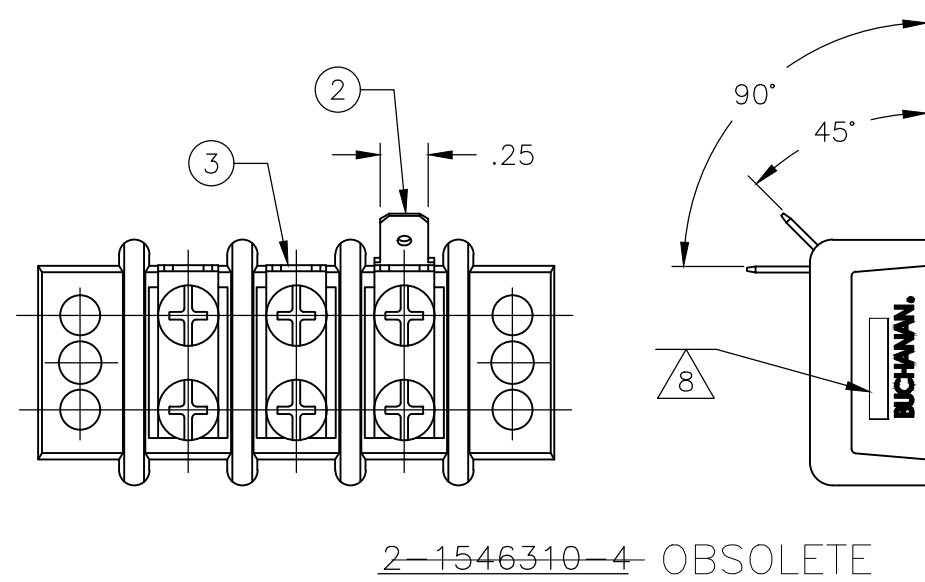
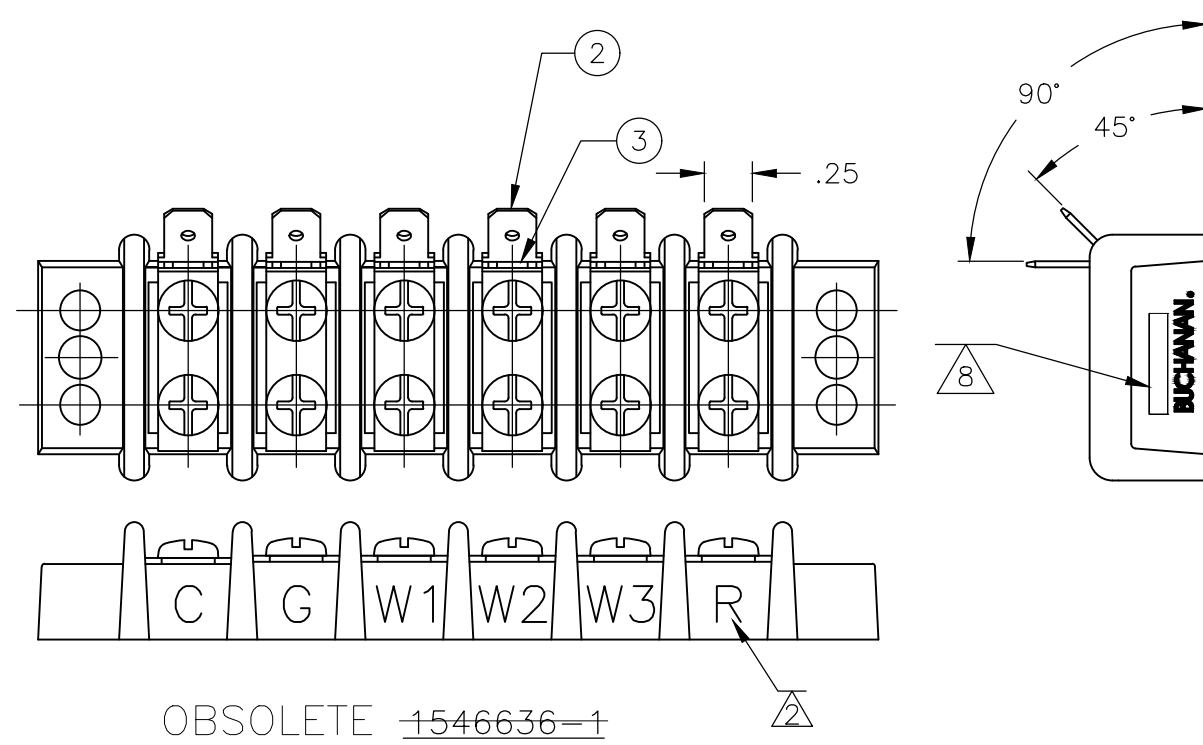
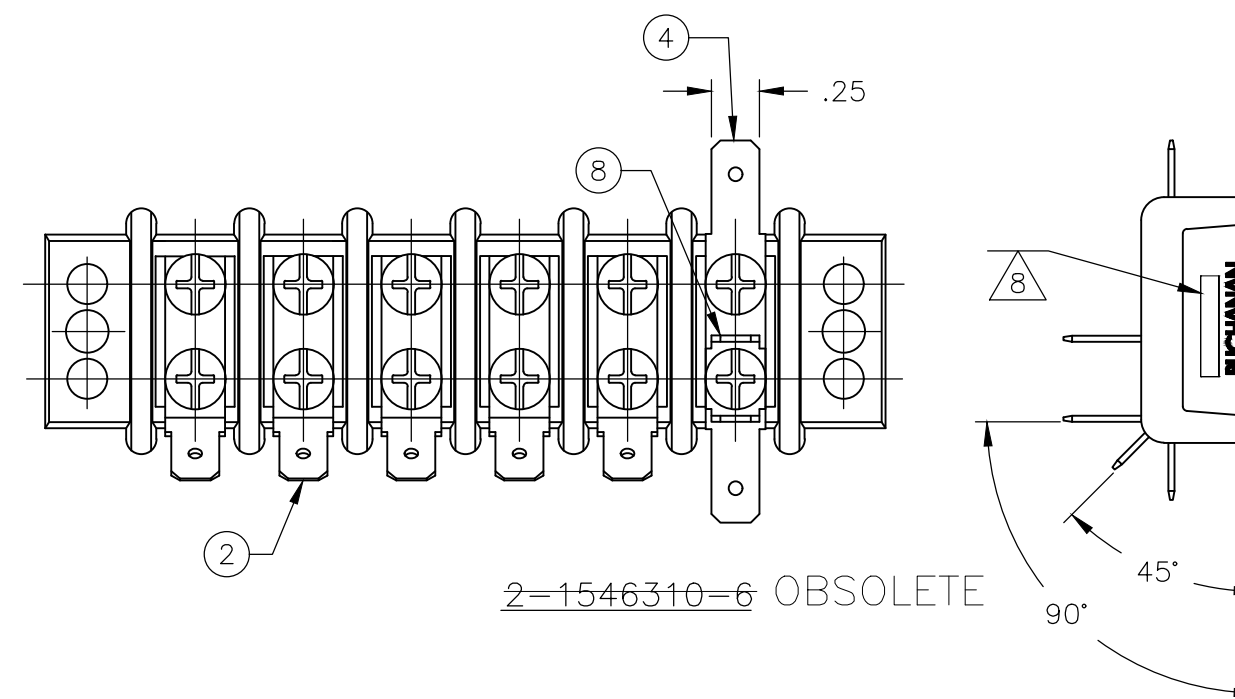
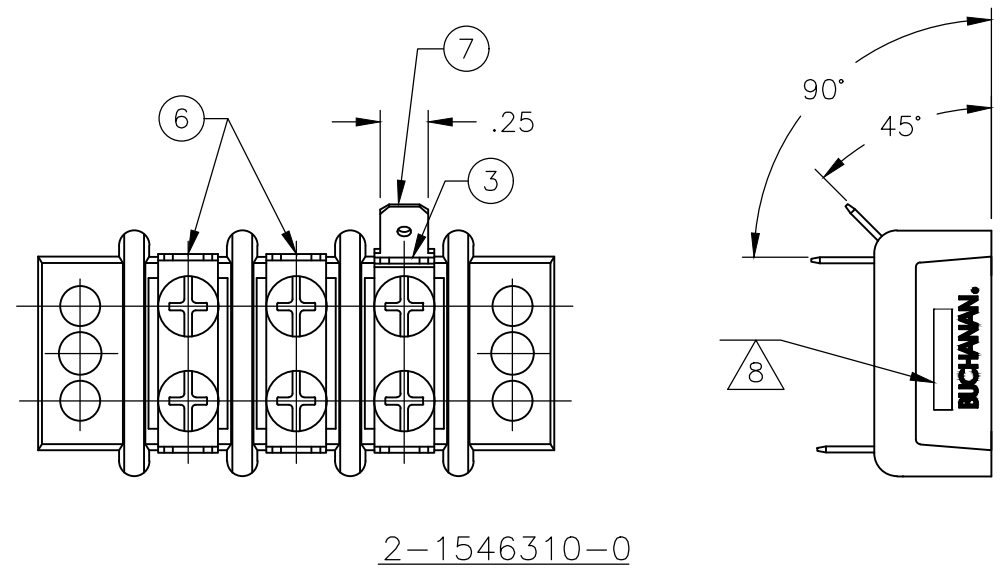
SCALE: A2 00779 C=1546310

CUSTOMER DRAWING


SCALE: NTS SHEET: 2 OF 4 REV: T5

THIS DRAWING IS UNPUBLISHED. RELEASED FOR PUBLICATION  
 © COPYRIGHT - By - ALL RIGHTS RESERVED.

REVISIONS					
P	LTR	DESCRIPTION	DATE	DWN	APVD
-	-	SEE SHEET 1	-	-	-

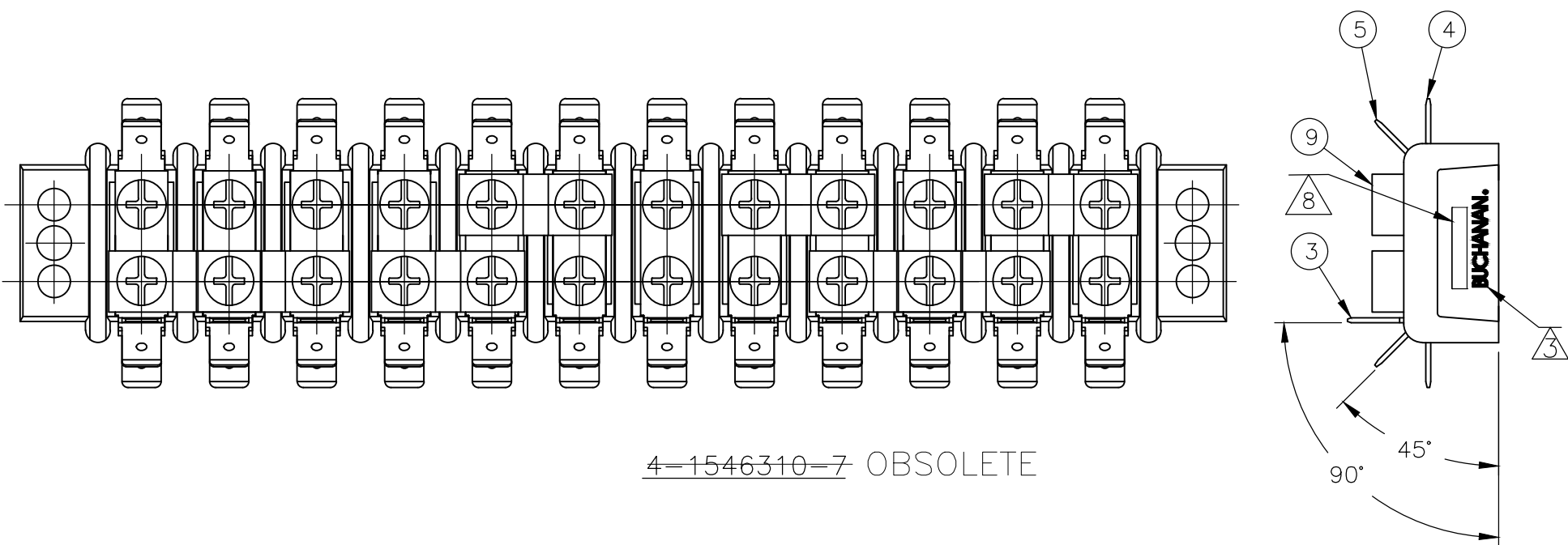


1546310

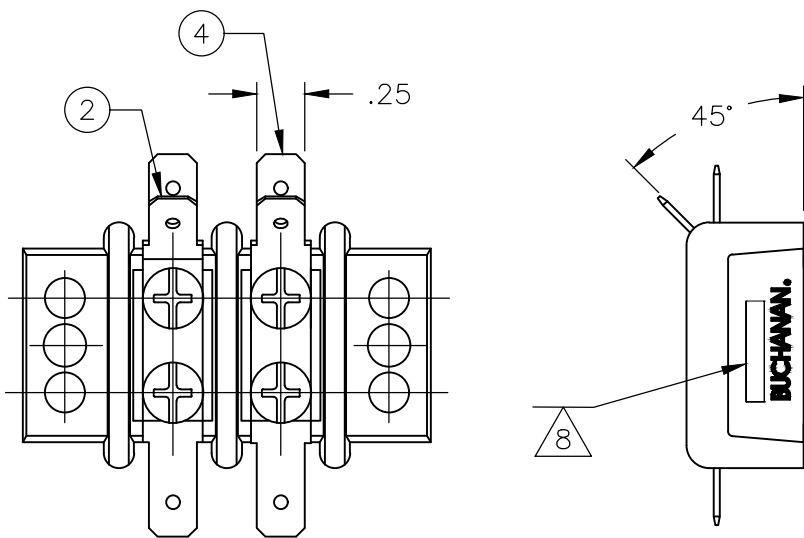
THIS DRAWING IS A CONTROLLED DOCUMENT.		DWN S SCHLEGEL 16FEB2007	 TE Connectivity Ltd.	
DIMENSIONS: INCHES		CHK S YODER 2/16/07		
TOLERANCES UNLESS OTHERWISE SPECIFIED:		APVD S YODER 2/16/07	NAME 14.3 (.563) DBL ROW BARRIER STRIP W/O WASHER	
0 PLC ± - 1 PLC ± - 2 PLC ± - 3 PLC ± - 4 PLC ± - ANGLES ± -		PRODUCT SPEC	SIZE A2	
MATERIAL		APPLICATION SPEC	CAGE CODE 00779	DRAWING NO C=1546310
FINISH		WEIGHT	RESTRICTED TO	
		CUSTOMER DRAWING	SCALE NTS	SHEET 3 OF 4
			REV T5	

THIS DRAWING IS UNPUBLISHED. RELEASED FOR PUBLICATION  
 © COPYRIGHT - By - ALL RIGHTS RESERVED.

REVISIONS				
P	LTR	DESCRIPTION	DATE	APVD
-	-	SEE SHEET 1	-	-



4-1546310-7 OBSOLETE



5-1546310-1

THIS DRAWING IS A CONTROLLED DOCUMENT.		DWN S SCHLEGEL 16FEB2007	TE Connectivity Ltd.																			
DIMENSIONS: INCHES		CHK S YODER 2/16/07																				
TOLERANCES UNLESS OTHERWISE SPECIFIED:		APVD S YODER 2/16/07	NAME 14.3 (.563) DBL ROW BARRIER STRIP W/O WASHER																			
<table border="0"> <tr><td>0 PLC</td><td>±</td><td>-</td></tr> <tr><td>1 PLC</td><td>±</td><td>-</td></tr> <tr><td>2 PLC</td><td>±</td><td>-</td></tr> <tr><td>3 PLC</td><td>±</td><td>-</td></tr> <tr><td>4 PLC</td><td>±</td><td>-</td></tr> <tr><td>ANGLES</td><td>±</td><td>-</td></tr> </table>		0 PLC	±	-	1 PLC	±	-	2 PLC	±	-	3 PLC	±	-	4 PLC	±	-	ANGLES	±	-	PRODUCT SPEC -	SIZE A2	
0 PLC	±	-																				
1 PLC	±	-																				
2 PLC	±	-																				
3 PLC	±	-																				
4 PLC	±	-																				
ANGLES	±	-																				
MATERIAL -		FINISH -	APPLICATION SPEC -	CAGE CODE 00779																		
		WEIGHT -	DRAWING NO C-1546310	RESTRICTED TO -																		
CUSTOMER DRAWING			SCALE NTS	SHEET 4 OF 4																		
			REV T5																			

## X-ON Electronics

Largest Supplier of Electrical and Electronic Components

*Click to view similar products for [Barrier Terminal Blocks](#) category:*

*Click to view products by [TE Connectivity](#) manufacturer:*

Other Similar products are found below :

[CR151D20104](#) [670A-RZ-15-KT20](#) [6C1N03](#) [6PCR-02](#) [6PCR-02-008](#) [6PCR-05-008](#) [6PCR-08-008](#) [6PCR-09-008](#) [6PCR-13-006](#) [6PCR-15-006](#) [6PCR-21-006](#) [6PCV-06-008](#) [6PCV-06-716](#) [6PCV-09-001](#) [6PCV-10-009](#) [6PCV-15-008](#) [6PCV-17-1206](#) [6PCV-20-323](#) [6PCV-20-720](#) [6PCV-30-006](#) [6STR-06-006](#) [6STR-08-006](#) [6STR-12-008](#) [6STR-13-006](#) [6STR-14-008](#) [6STR-16-008](#) [6STR-17-008](#) [6STR-21-008](#) [6STR-25-008](#) [6STR-27-008](#) [6STV-03-006](#) [6STV-03-008](#) [6STV-04-006](#) [6STV-09-006](#) [6STV-10-006](#) [6WWR-03-693](#) [6WWV-12-008](#) [72212603](#) [72504-C-50](#) [72506-C](#) [72507-C-50](#) [73203](#) [75505-C](#) [75505-C-50](#) [75510-C](#) [77010-50](#) [7C1N08](#) [812-GP-3/4ST-09](#) [8-1437402-5](#) [8-1437402-7](#)