

THIS DRAWING IS UNPUBLISHED.

RELEASED FOR PUBLICATION

ALL RIGHTS RESERVED.

© COPYRIGHT - By -

LOC FT DIST 0

REVISIONS

P	LTR	DESCRIPTION	DATE	DWN	APVD
	F2	REVISED PER ECO-11-004820	11MAR11	RK	HMR

PHYSICAL PROPERTIES:

HOUSING MATERIAL: PBT
FLAMMABILITY: UL94V-0
COLOR: BLACK

TERMINAL:

TERMINALS: BRASS, TIN PLATED
SCREWS: 8-32 STEEL, NICKEL PLATED

MECHANICAL:

PITCH (TERMINAL SPACING): .563"
WIRE RANGE: 10-22 AWG
RECOMMENDED TIGHTENING TORQUE: 14IN-LBS MAX.

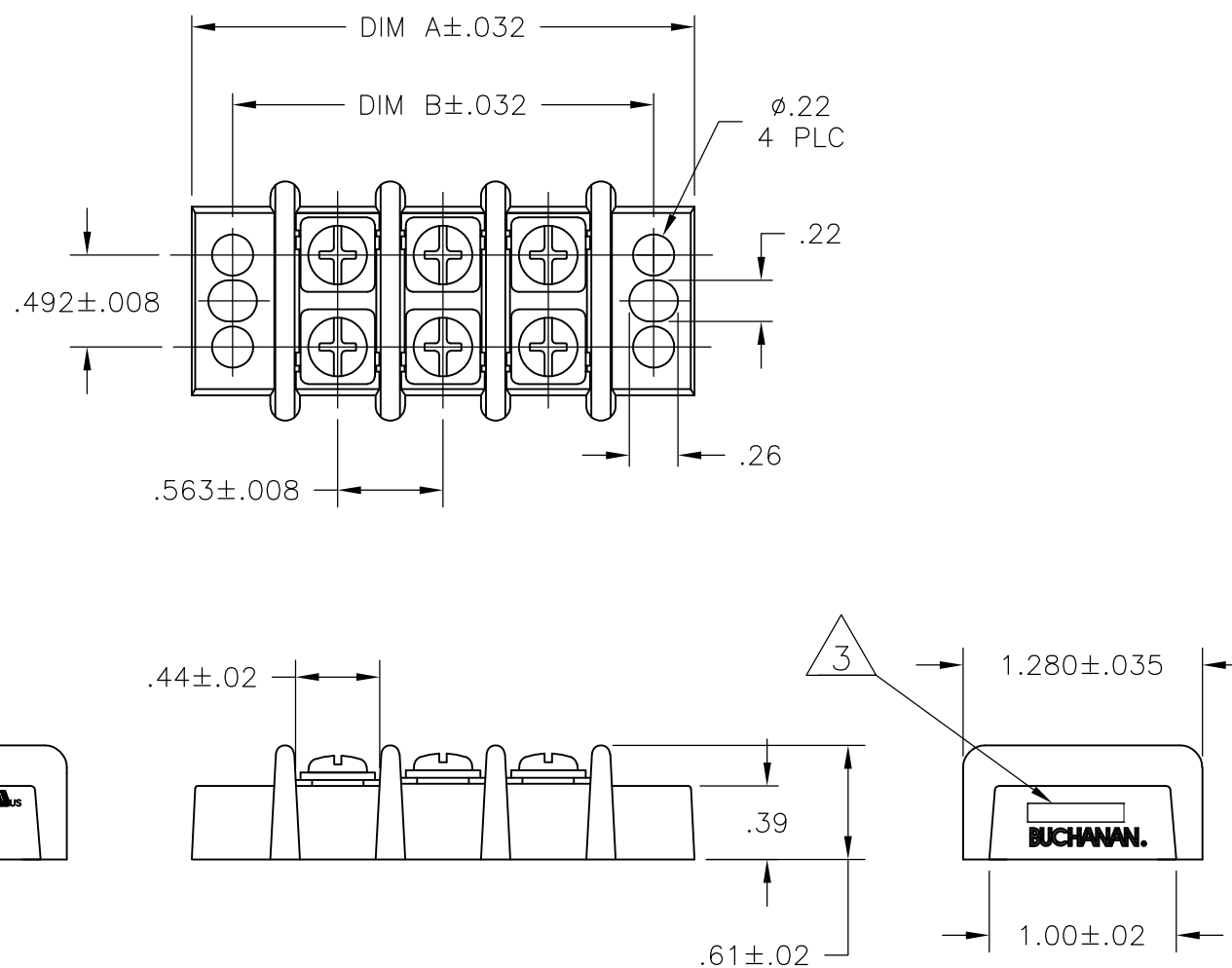
ELECTRICAL PROPERTIES:

MAXIMUM CURRENT: 30A
OPERATING VOLTAGE: 300V

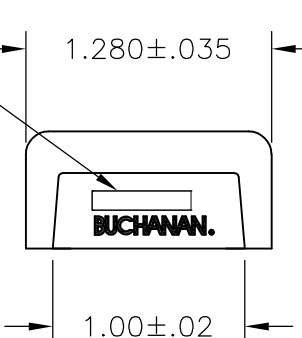
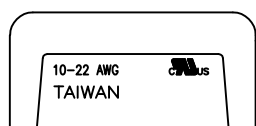
ENVIRONMENTAL PROPERTIES:

OPERATING TEMP RANGE: -40°C TO 120°C

- 1 PARTS SUPPLIED WITH SCREWS UNINSTALLED.
- 2 PRELIMINARY PART NUMBER.
- 3 TE CONNECTIVITY LOGO LOCATED APPROXIMATE AREA SHOWN.



10.701	11.138	18	1-1546311-8
10.138	10.575	17	1-1546311-7
9.575	10.012	16	1-1546311-6
9.012	9.449	15	1-1546311-5
8.449	8.886	14	1-1546311-4
7.886	8.323	13	1-1546311-3
7.323	7.760	12	1-1546311-2
6.760	7.197	11	1-1546311-1
6.197	6.634	10	1-1546311-0
5.634	6.071	9	2-1546311-1
5.634	6.071	9	1546311-9
5.071	5.508	8	2-1546311-0
5.071	5.508	8	1546311-8
4.508	4.945	7	1546311-7
3.945	4.382	6	1546311-6
3.382	3.819	5	1546311-5
2.819	3.256	4	1-1546311-9
2.819	3.256	4	1546311-4
2.256	2.693	3	1546311-3
1.693	2.130	2	1546311-2
DIM B	DIM A	NO. OF POSN	BUCHANAN PART NO.



THIS DRAWING IS A CONTROLLED DOCUMENT.

DIMENSIONS: INCHES	TOLERANCES UNLESS OTHERWISE SPECIFIED:	DWN S SCHLEGEL 20AUG2002	 TE Connectivity
		CHK C RICHARD 8/20/02	
		APVD C RICHARD 8/20/02	
		NAME	
		PRODUCT SPEC	.563 DBL ROW BARRIER STRIP W/ WASHER
		APPLICATION SPEC	
MATERIAL	FINISH	WEIGHT	SIZE CAGE CODE DRAWING NO RESTRICTED TO
-	-	-	A3 00779 C-1546311 -
CUSTOMER DRAWING			SCALE NTS SHEET 1 OF 1 REV F2

X-ON Electronics

Largest Supplier of Electrical and Electronic Components

Click to view similar products for [Barrier Terminal Blocks](#) category:

Click to view products by [TE Connectivity](#) manufacturer:

Other Similar products are found below :

[CR151D20104](#) [670A-RZ-15-KT20](#) [6C1N03](#) [6PCR-02](#) [6PCR-02-008](#) [6PCR-05-008](#) [6PCR-08-008](#) [6PCR-09-008](#) [6PCR-13-006](#) [6PCR-15-006](#) [6PCR-21-006](#) [6PCV-06-008](#) [6PCV-06-716](#) [6PCV-09-001](#) [6PCV-10-009](#) [6PCV-15-008](#) [6PCV-17-1206](#) [6PCV-20-323](#) [6PCV-20-720](#) [6PCV-30-006](#) [6STR-06-006](#) [6STR-08-006](#) [6STR-12-008](#) [6STR-13-006](#) [6STR-14-008](#) [6STR-16-008](#) [6STR-17-008](#) [6STR-21-008](#) [6STR-25-008](#) [6STR-27-008](#) [6STV-03-006](#) [6STV-03-008](#) [6STV-04-006](#) [6STV-09-006](#) [6STV-10-006](#) [6WWR-03-693](#) [6WWV-12-008](#) [72212603](#) [72504-C-50](#) [72506-C](#) [72507-C-50](#) [73203](#) [75505-C](#) [75505-C-50](#) [75510-C](#) [77010-50](#) [7C1N08](#) [812-GP-3/4ST-09](#) [8-1437402-5](#) [8PCR-06-006](#)