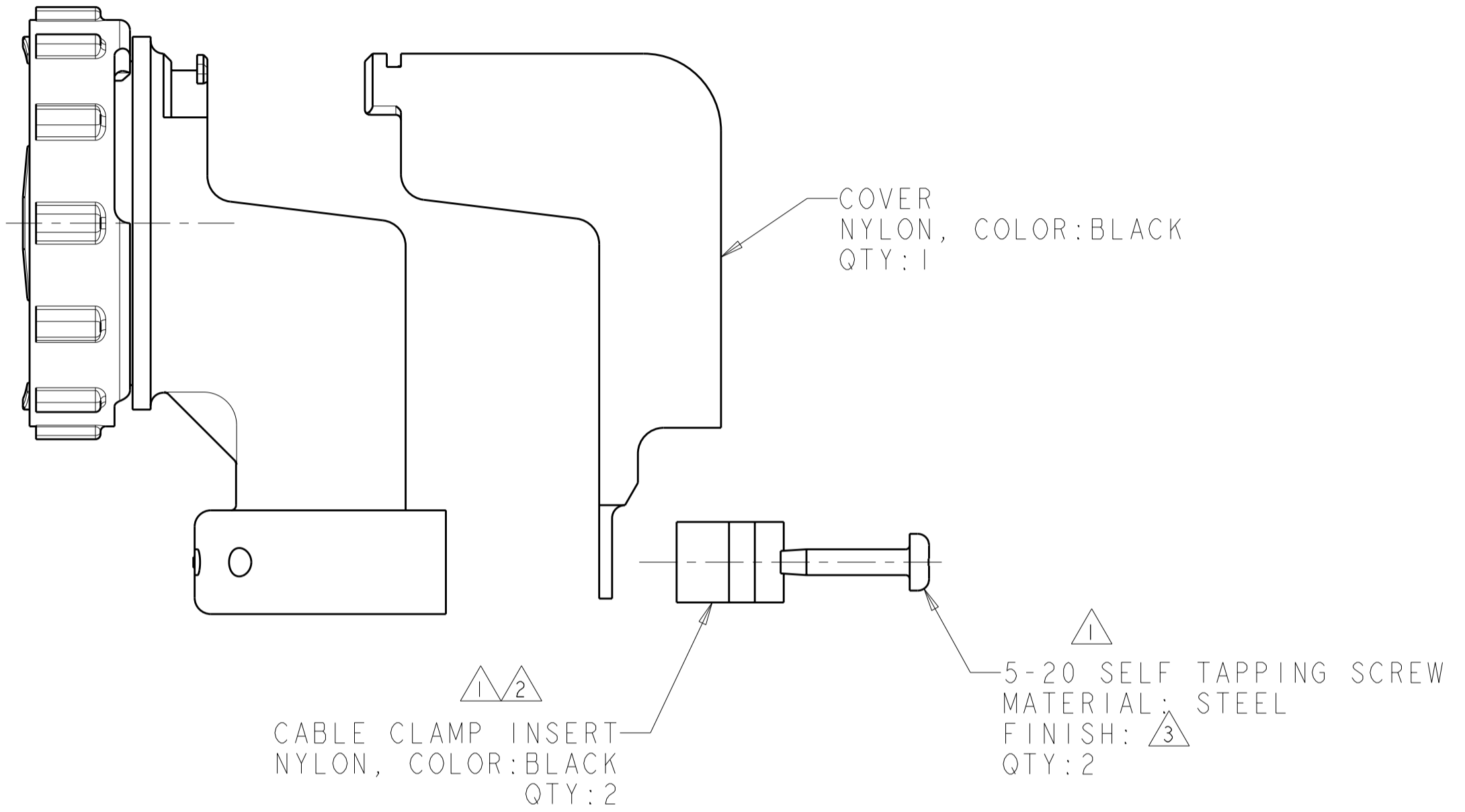
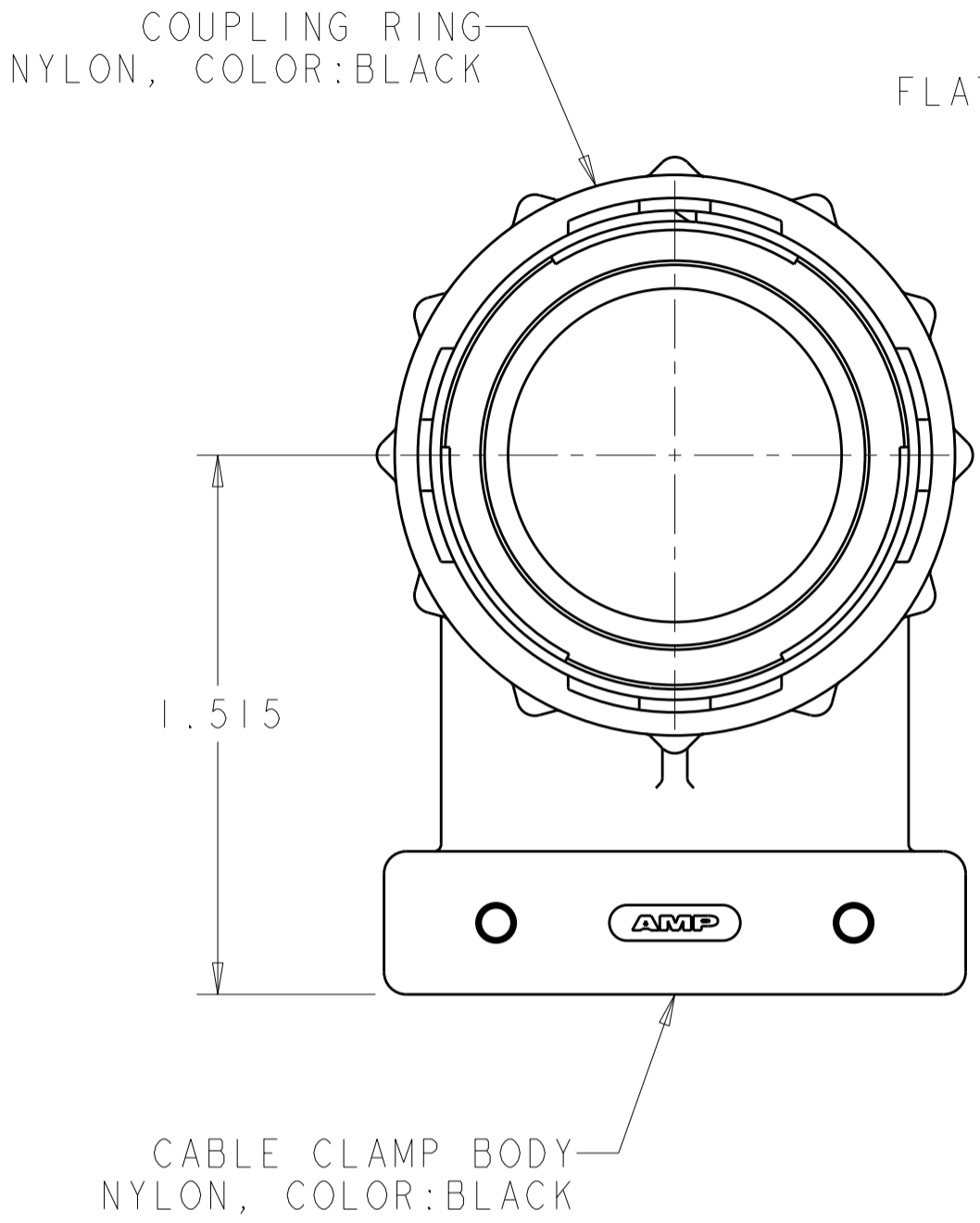
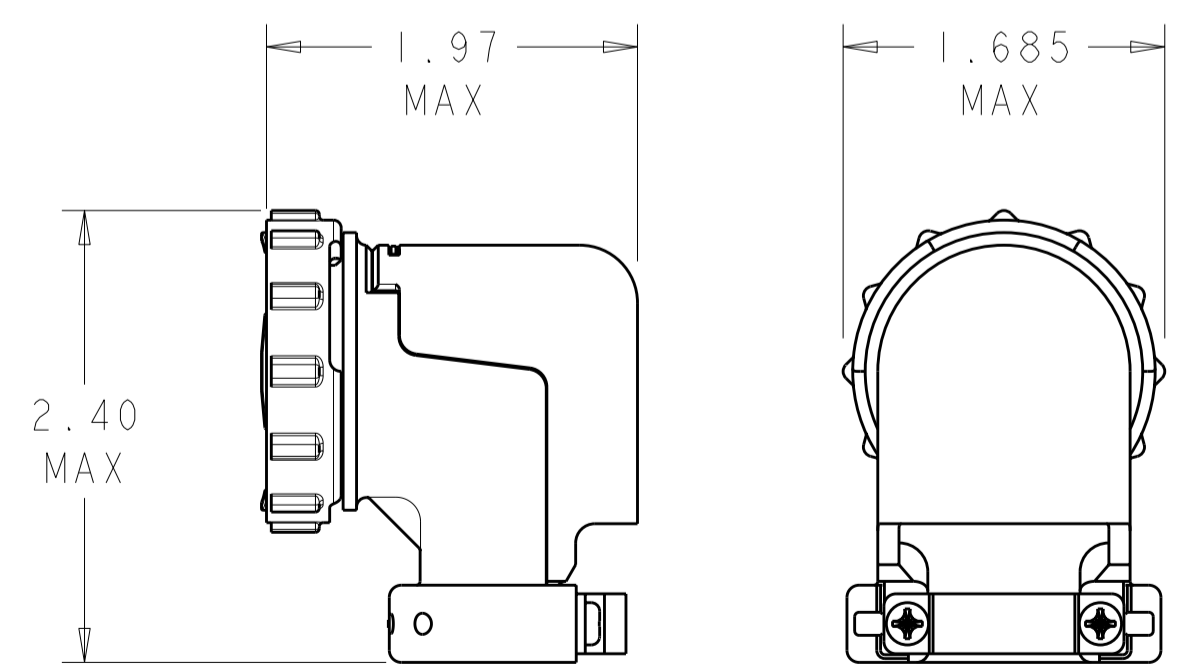


THIS DRAWING IS UNPUBLISHED. RELEASED FOR PUBLICATION  
 © COPYRIGHT 20 BY - ALL RIGHTS RESERVED.

LOC	DIST	REVISIONS					
FT	0	P	LTR	DESCRIPTION	DATE	DWN	APVD
		CI		REVISED PER ECO-11-004820	11MAR2011	RK	HMR



- <sup>1</sup> SELF TAPPING SCREWS AND CABLE CLAMP INSERTS PACKAGED UNASSEMBLED.
- <sup>2</sup> CLAMPING AREA ADJUSTABLE TO .703 O.D. MAX CABLE. CABLE CLAMP INSERTS CAN BE ADJUSTED BY INVERTING OR CHANGING CABLE CLAMP INSERT.
- <sup>3</sup> SCREW FINISH ZINC WITH NON HEXAVALENT CHROMATE.



ASSEMBLED VIEW  
 SCALE: 1:1

1546350-2  
 SUPERSEDED BY -2 1546350-1  
 PART NUMBER

THIS DRAWING IS A CONTROLLED DOCUMENT.		DWN S. WELDON 13AUG2002	<b>STE</b> TE Connectivity	
DIMENSIONS: INCHES		CHK S. HEADER 13AUG2002		
TOLERANCES UNLESS OTHERWISE SPECIFIED:		APVD S. HEADER 13AUG2002	NAME CABLE CLAMP KIT, UNASSEMBLED, R/A, W/COVER, SIZE 23, CPC	
0 PLC ±	1 PLC ±	PRODUCT SPEC	SIZE	RESTRICTED TO
2 PLC ±	3 PLC ±0.005	APPLICATION SPEC	CAGE CODE	
4 PLC ±	ANGLES ±	WEIGHT	DRAWING NO	
MATERIAL	FINISH	CUSTOMER DRAWING	A200779C-1546350	
			SCALE 2:1	SHEET OF REV CI

## X-ON Electronics

Largest Supplier of Electrical and Electronic Components

*Click to view similar products for [Standard Circular Connector](#) category:*

*Click to view products by [TE Connectivity](#) manufacturer:*

Other Similar products are found below :

[5M2530B10P](#) [600259N006](#) [600273N007](#) [6134-336-13149](#) [6134-337-11149](#) [6134-337-2390](#) [6134-341-17149](#) [6280-4SG-516](#) [6280-7SG-3DC6290](#) [6291A](#) [66200A-10](#) [680-SMG](#) [681-PMG](#) [CXS3102A14S2P](#) [CXS3102A181S](#) [7271-6SG-300](#) [7282-3PG-300-CH3](#) [75-474014-05S](#) [75-474618-01S](#) [75-474618-04P](#) [75-474618-04S](#) [799539-000](#) [MI8-SE](#) [805-005-07NF11-19PC](#) [805-005-07NF15-7PA](#) [8280-4PG-516](#) [8280-7PG-519](#) [8282-5PG-519](#) [836783-1](#) [MP-4102-25P-C](#) [862256-1](#) [864019-2](#) [866857-1](#) [867865-1](#) [PT01SP-14-18P](#) [PT08P-14-5S](#) [120-1833-000](#) [QCM019PC2DC012B](#) [1-2069279-1](#) [121583-0217](#) [121667-0020](#) [129591AU](#) [1000B BULK](#) [RD10A16-19-P6CS051/1](#) [RD10A20-31-P8CS051/1](#) [RD16A14-12-S6CS051/2](#) [1301240290](#) [1301240347](#) [1301860202](#) [1301240268](#)