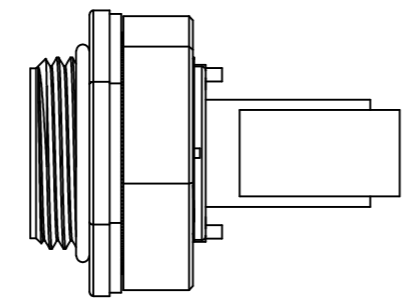
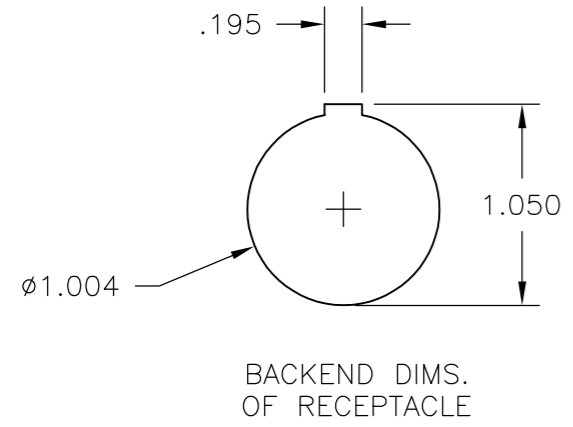
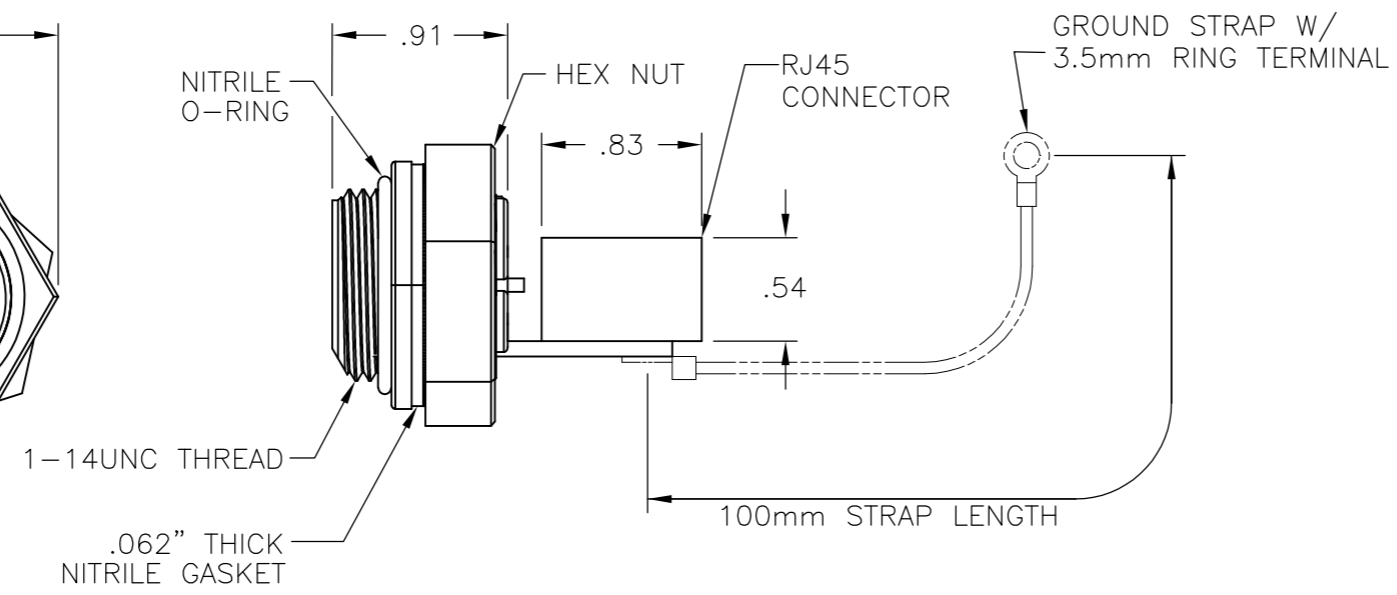
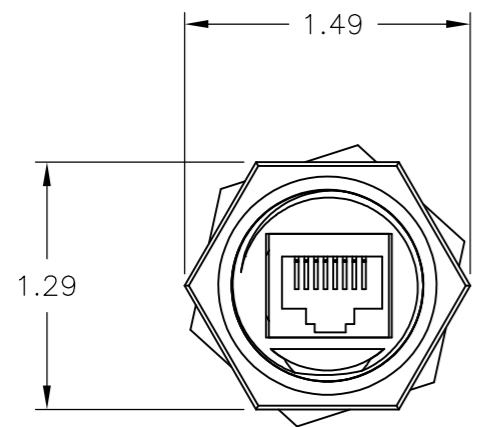


THIS DRAWING IS UNPUBLISHED. RELEASED FOR PUBLICATION
 © COPYRIGHT - By - ALL RIGHTS RESERVED.

REVISIONS					
P	LTR	DESCRIPTION	DATE	DWN	APVD
	C3	CONTACT GOLD FINISH THICKNESS CORRECTED FROM 50µm TO 30µm AND OVERMOLD MATERIAL NOTE IS REMOVED.	26MAY2017	TJ	NG



- NOTES:
- ENVIRONMENTAL SPECIFICATIONS:
 OPERATING TEMPERATURE: -20°C TO 80°C
 IEC IP67 COMPLIANT
 - ELECTRICAL SPECIFICATIONS:
 TIA/EIA RATING: CAT 5E
 CURRENT RATING: 1.5A
 VOLTAGE RATING: 125 V DC
 RETURN LOSS: 5 dB AT 100 MHz
 - PHYSICAL SPECIFICATIONS:
 O-RING MATERIAL: VITON
 INSERT MATERIAL: ABS
 COUPLING NUT MATERIAL: ABS
 SHELL MATERIAL: ABS
 PANEL THICKNESS: .125" MAX WITH GASKET
 .187" MAX WITHOUT GASKET
 .062" MIN
 CONTACT FINISH: 30µm OF GOLD OVER 100µm OF NICKEL
 - SIZE OF SOLDER FILLET FROM THE SHIELD GROUND MAY VARY.



OBSOLETE	YES	1546413-4
	NO	1546413-3
SUPERSEDED	YES	1546413-2
SUPERSEDED	NO	1546413-1
	GROUND STRAP	PART NO.

STANDARD RJ45 PIN LAYOUT	
1 TO 1	
2 TO 2	
3 TO 3	
4 TO 4	
5 TO 5	
6 TO 6	
7 TO 7	
8 TO 8	

THIS DRAWING IS A CONTROLLED DOCUMENT.

DIMENSIONS: INCHES	TOLERANCES UNLESS OTHERWISE SPECIFIED:	DWN S SCHLEGEL 09OCT2002	TE Connectivity NAME RJ-45 BULKHEAD PASS THROUGH WITH BACKSIDE JACK PRODUCT SPEC - APPLICATION SPEC - WEIGHT -
	0 PLC ± -	CHK H WAKEEM 10/9/02	
	1 PLC ± -	APVD H WAKEEM 10/9/02	
	2 PLC ± .02		
	3 PLC ± .005		SIZE A3
	4 PLC ± -		CAGE CODE 00779
	ANGLES ± 2°		DRAWING NO C-1546413
MATERIAL REFER NOTES	FINISH REFER NOTES	RESTRICTED TO -	
CUSTOMER DRAWING		SCALE NTS	SHEET 1 OF 1
		REV C3	

X-ON Electronics

Largest Supplier of Electrical and Electronic Components

Click to view similar products for [Modular Connectors / Ethernet Connectors](#) category:

Click to view products by [TE Connectivity](#) manufacturer:

Other Similar products are found below :

[8949-H88/06BLKA/SN](#) [74441-0010/BKN](#) [MP1010RX-1000](#) [MP44RX-1000](#) [PHJ-4P4C-1-V-4](#) [PHP-6P6C-5](#) [GAX-3-66](#) [GAX-8-62](#) [GDCX-PA-66-50](#) [GDCX-PN-64](#) [GDCX-PN-66](#) [GDCX-PN-66-50](#) [GDLX-A-66](#) [GDLX-N-66](#) [GDLX-S-66](#) [GDLX-S-88K](#) [GDLX-SMT-S-88](#) [GDTX-S-88-50](#) [GDX-PA-1010](#) [GLX-N-1010M-BLK](#) [GLX-S-88M-BLK](#) [GMX-N-1010](#) [GMX-S-1010](#) [GMX-S-66](#) [GMX-SMT4-N-88](#) [GPX-2-64](#) [GSGX-N-2-88](#) [GSGX-N-4-88](#) [GSX-NS2-88-3.05](#) [GSX-NS2-88-3.05-50](#) [GSX-NS-88-3.05-50](#) [PT-108A-8C-UL](#) [PT-J951-8C](#) [PTS-J531-8CS-50UL](#) [1-1775629-2](#) [A-2014-0-4](#) [GWLX-S-88-GR](#) [GWLX-S9-88-YG](#) [DC-1021-8-WH-6](#) [1300530003](#) [1324640-4](#) [RJ11FTVC2G](#) [RJ11FTVC2N](#) [RJFTVX2SA1G](#) [132764-001](#) [1413235](#) [MP88X-1000](#) [MPS88RX-5000](#) [E5288-S000K3-L](#) [E5908-15A242-L](#)