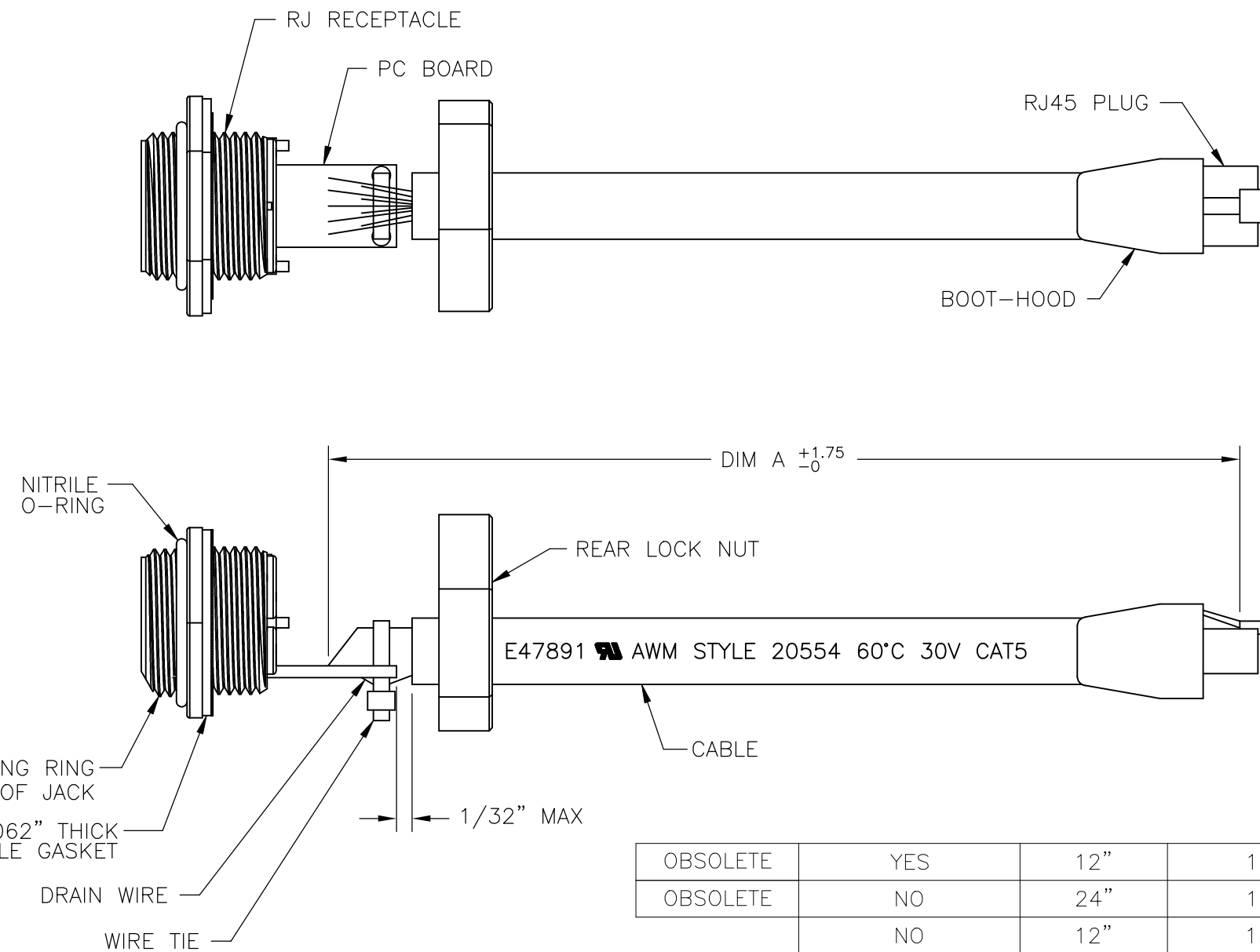
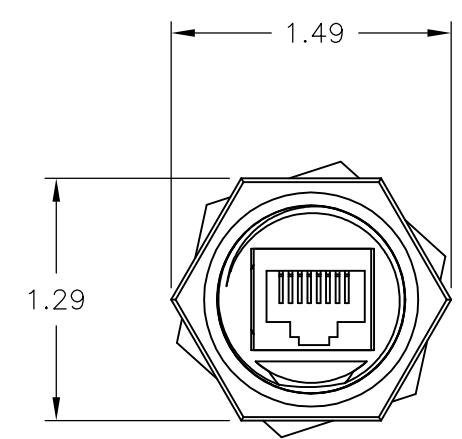
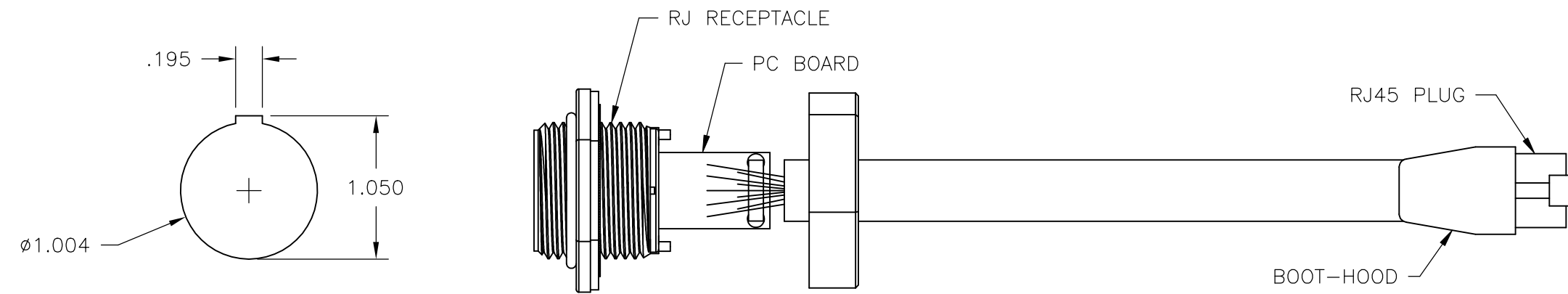


THIS DRAWING IS UNPUBLISHED. RELEASED FOR PUBLICATION
 © COPYRIGHT - By - ALL RIGHTS RESERVED.

REVISIONS				
P	LTR	DESCRIPTION	DATE	APVD
	F2	REVISED PER ECO-11-004820	11MAR11	RK HMR
	F3	OBSOLETE PNs 1546414-5 & -6	13MAR2018	SH GN



WIRE LIST	
PIN (SAME FOR BOTH CONNECTORS)	
1	WHT/BLU
2	BLUE
3	WHT/ORG
4	GREEN
5	WHT/GRN
6	ORG
7	WHT/BROWN
8	BROWN
	GRND

OBSOLETE	YES	12"	1546414-6
OBSOLETE	NO	24"	1546414-5
	NO	12"	1546414-4
OBSOLETE	YES	12"	1546414-3
OBSOLETE	NO	24"	1546414-2
SUPERSEDED	NO	12"	1546414-1
		CABLE TIE	DIM A
			PART NUMBER

MATERIALS:
 BOOT-HOOD: POLYOLEFIN, BLACK.
 JACK: CAT 5E PCB.
 LOCKNUT: ABS, 10% GLASS FILLED, BLACK.
 PANEL MOUNT HOUSING: CLCOLAC
 CABLE: 26 AWG 8 CONDUCTOR BLACK PVC JACKET.

THIS DRAWING IS A CONTROLLED DOCUMENT.		DWN S SCHLEGEL 09OCT2002	TE Connectivity		
DIMENSIONS: INCHES		CHK H WAKEEM 10/9/02			
		APVD H WAKEEM 10/9/02	NAME ETHERNET PANEL MOUNT RECEPTACLE RJ-45 BULKHEAD PASS THROUGH WITH PATCH CORD		
TOLERANCES UNLESS OTHERWISE SPECIFIED: 0 PLC ± - 1 PLC ± - 2 PLC ± .02 3 PLC ± .005 4 PLC ± - ANGLES ± 2'		PRODUCT SPEC -	SIZE A3	CAGE CODE 00779	DRAWING NO 1546414
MATERIAL -		FINISH -	APPLICATION SPEC -	RESTRICTED TO -	SCALE NTS
CUSTOMER DRAWING			SHEET 1 OF 1	REV F3	

X-ON Electronics

Largest Supplier of Electrical and Electronic Components

Click to view similar products for [Modular Connectors / Ethernet Connectors](#) category:

Click to view products by [TE Connectivity](#) manufacturer:

Other Similar products are found below :

[RJE231881317T](#) [MP1010RX-1000](#) [MP44RX-1000](#) [GAX-3-66](#) [GAX-8-62](#) [93606-0253](#) [GD-A-44](#) [GDCX-PA-66-50](#) [GDCX-PN-64](#) [GDCX-PN-66](#) [GDCX-PN-66-50](#) [GDLX-A-66](#) [GDLX-A-88](#) [GDLX-N-66](#) [GDLX-S-66](#) [GDLX-S-88K](#) [GDTX-S-88-50](#) [GDX-PA-1010](#) [GLX-N-1010M-BLK](#) [GLX-S-88M-BLK](#) [GMX-N-1010](#) [GMX-S-1010](#) [GMX-S-66](#) [GMX-SMT2-N-1010](#) [GMX-SMT2-N-64-50](#) [GMX-SMT2-N-88](#) [GMX-SMT2-S6-88](#) [GMX-SMT4-N-88](#) [GPX-2-64](#) [GRT1-BT1-5](#) [GSGX-N-2-88](#) [GSX-NS2-88-3.05](#) [GSX-NS2-88-3.05-50](#) [GSX-NS-88-3.05-30](#) [GSX-NS-88-3.05-50](#) [GSX-NS-88-3.68](#) [1-1775629-2](#) [GWLX-S-88-GR](#) [GWLX-S9-88-YG](#) [1300500326](#) [1300500227](#) [1300530003](#) [1300570002](#) [1324640-4](#) [RJ11FTVC2G](#) [RJ11FTVC2N](#) [RJFTVX2SA1G](#) [132764-001](#) [1400000](#) [1413235](#)