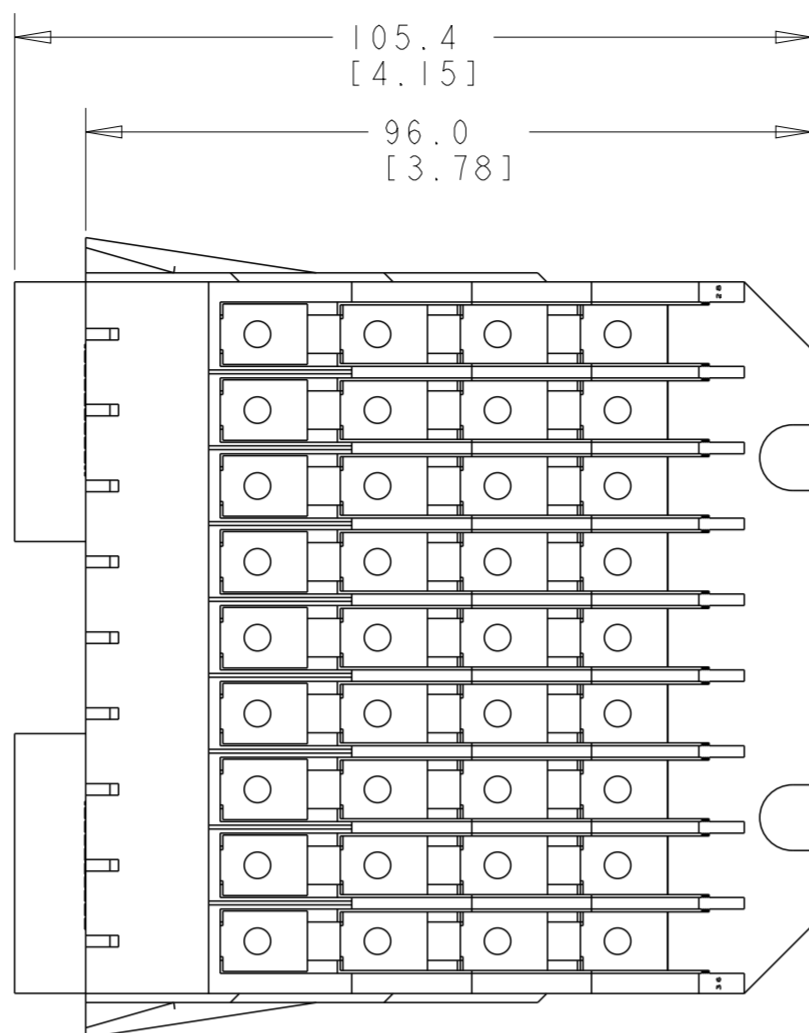
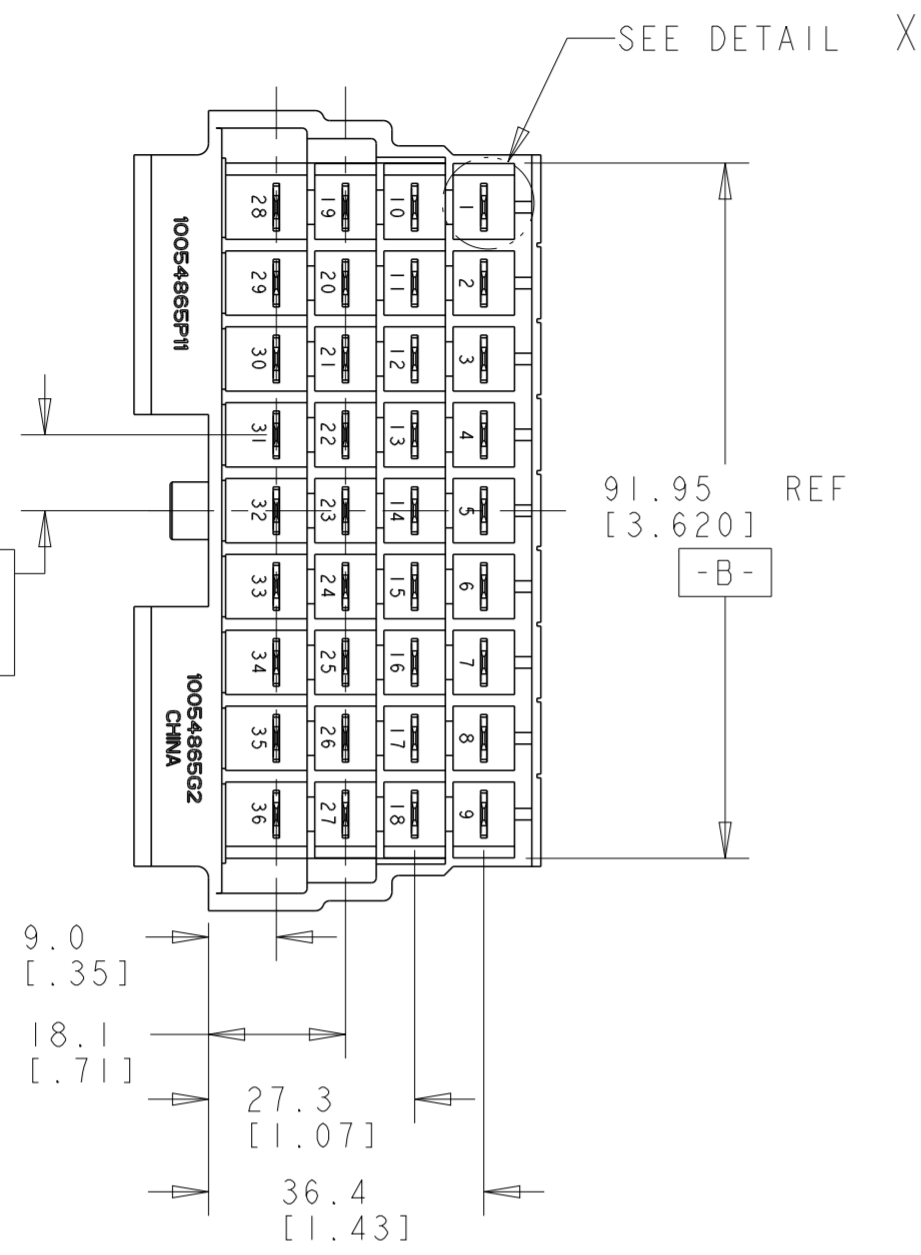
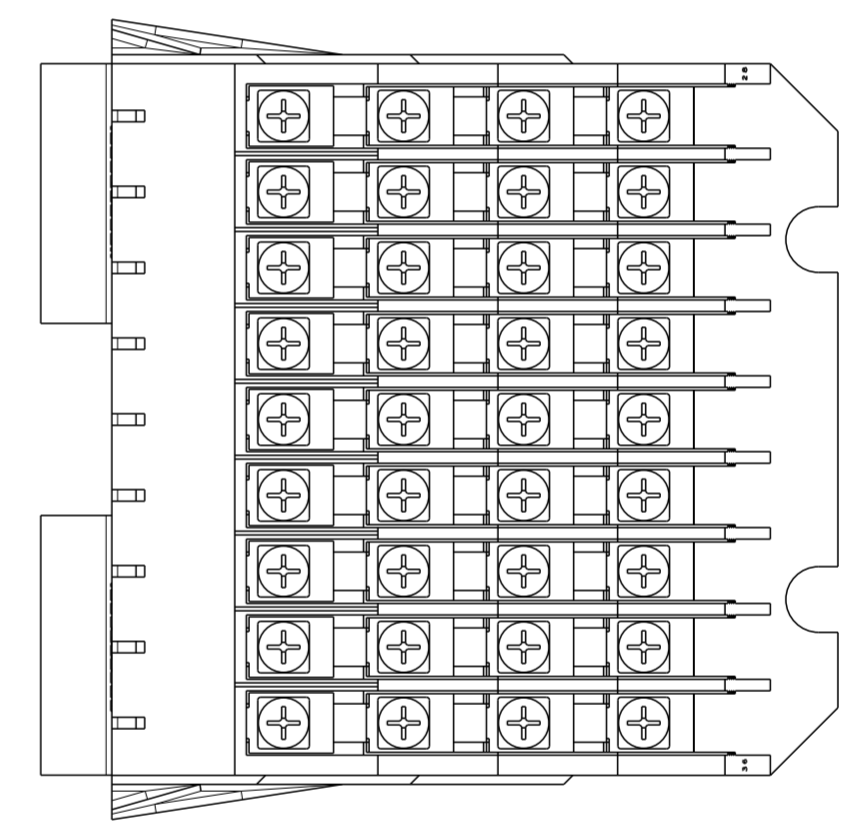
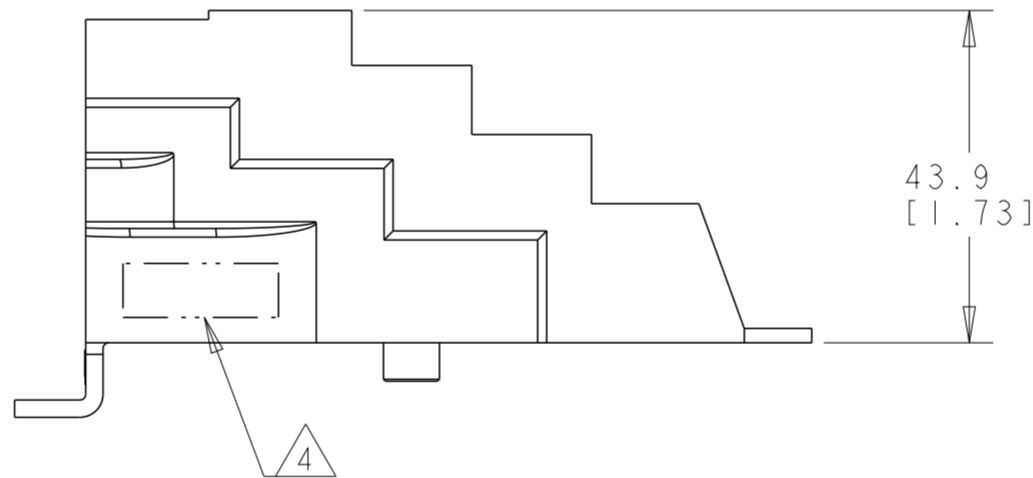
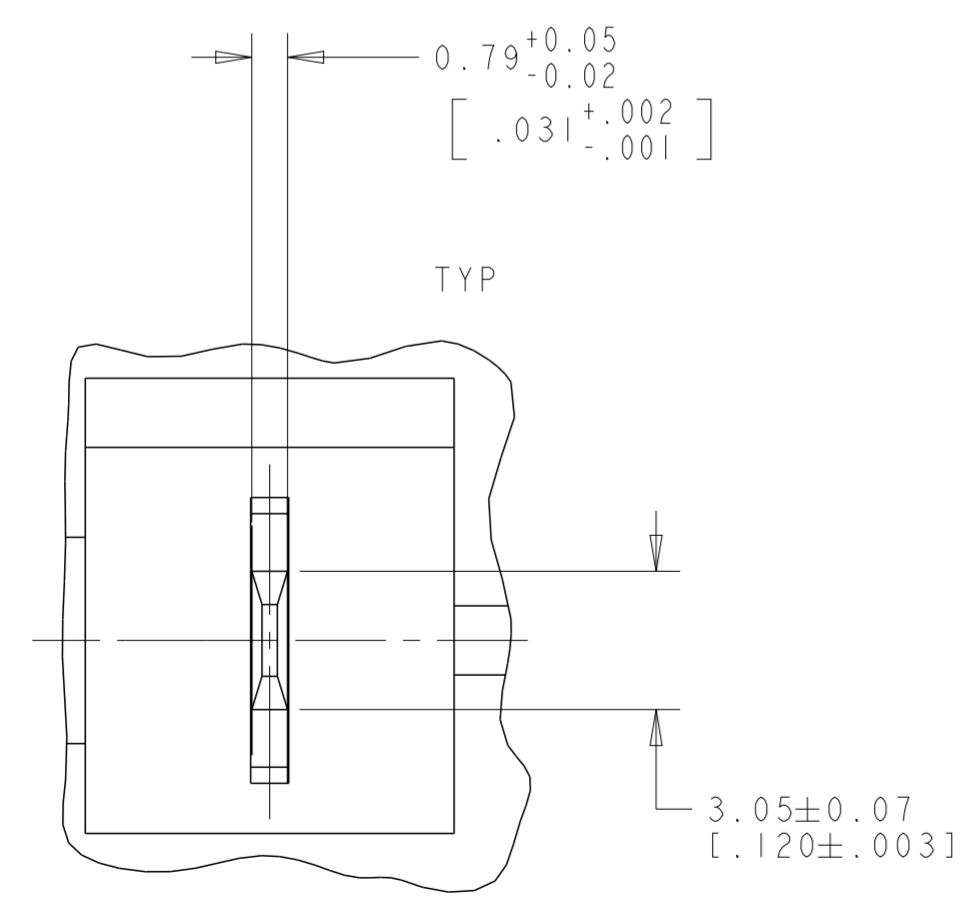


P	LTR	DESCRIPTION	DATE	DWN	APVD
	AI	DRAWING SUPERSEDED	01APR2020	DV	KV



1. MATING FORCE TO FEMALE CONNECTOR SHALL BE 10-20 LBS.
2. UNMATING FORCE TO FEMALE CONNECTOR SHALL BE 8 LBS MIN.
3. CONTACT PULLOUT FORCE FROM HOUSING SHALL BE 21 POUNDS MIN.
- 4 PRINT DATE CODE (YYWW), APPROXIMATELY AS SHOWN.
- 5 SMS SCREW MATERIAL: CARBON STEEL  
FINISH: ZINC AND CHROMATE
- 6 SCREWS TORQUED TO 7-9 IN-LBS
- 7 PRELIMINARY PART NUMBER



SUPERSEDED BY  
1546434-ABB

7	5	6	1546434-2
COMMENTS			PART NUMBER
			1546434-1

THIS DRAWING IS A CONTROLLED DOCUMENT.		DWN KIRAN, HOLA 24SEP2012	TE Connectivity	
DIMENSIONS: mm [INCHES]		CHK BRUBAKER, MARK 24SEP2012	ASSEMBLY, MALE, G.E. CONNECTOR	
TOLERANCES UNLESS OTHERWISE SPECIFIED:		APVD BRUBAKER, MARK 24SEP2012	NAME	
0 PLC ±		PRODUCT SPEC	-	
1 PLC ±0.0		APPLICATION SPEC	-	
2 PLC ±0.254 [0.01]		WEIGHT	-	
3 PLC ±0.127 [0.005]		SCALE	A2 00779 C-1546434	
4 PLC ±0.0508 [0.002]		RESTRICTED TO	-	
ANGLES ±		SCALE	1:1	
FINISH		SHEET	OF	
material_2		finish_spec_2	REV AI	

DETAIL X  
SCALE 6:1

## X-ON Electronics

Largest Supplier of Electrical and Electronic Components

*Click to view similar products for [Barrier Terminal Blocks](#) category:*

*Click to view products by [TE Connectivity](#) manufacturer:*

Other Similar products are found below :

[6C1N03](#) [6PCR-02-008](#) [6PCR-05-008](#) [6PCR-08-008](#) [6PCR-21-006](#) [6PCV-06-008](#) [6PCV-10-009](#) [6PCV-15-008](#) [6STR-06-006](#) [6STR-08-006](#)  
[6STR-12-008](#) [6STR-14-008](#) [6STR-16-008](#) [6STR-17-008](#) [6STR-21-008](#) [6STR-25-008](#) [6STR-27-008](#) [6STV-03-006](#) [6STV-03-008](#) [6STV-04-006](#) [6STV-10-006](#) [6WWR-03](#) [6WWV-12-008](#) [6WWV-16-008](#) [7-1546701-0](#) [72212603](#) [72503-C](#) [72504-C-50](#) [73203](#) [76007](#) [7604-501LF](#)  
[77010-50](#) [796985-3](#) [796988-4](#) [7C1N08](#) [8-1437402-5](#) [8-1437402-7](#) [8-1546158-0](#) [870505](#) [870903](#) [8PCR-06-006](#) [8PCV-02-008](#) [8PCV-05-008](#)  
[8PCV-09-006](#) [8PCV-15-006](#) [8PCV-17-006](#) [8QCR-03-008](#) [8STV-04-006](#) [9-1437402-3](#) [A103104](#)