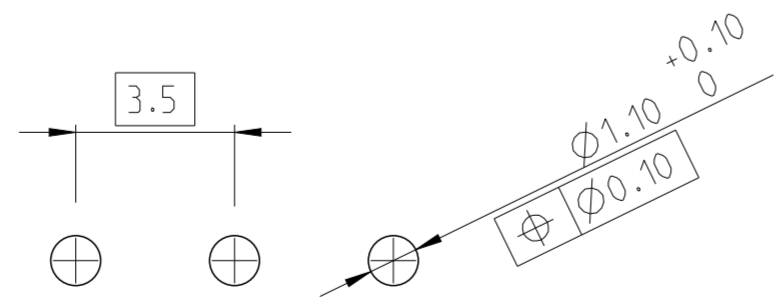
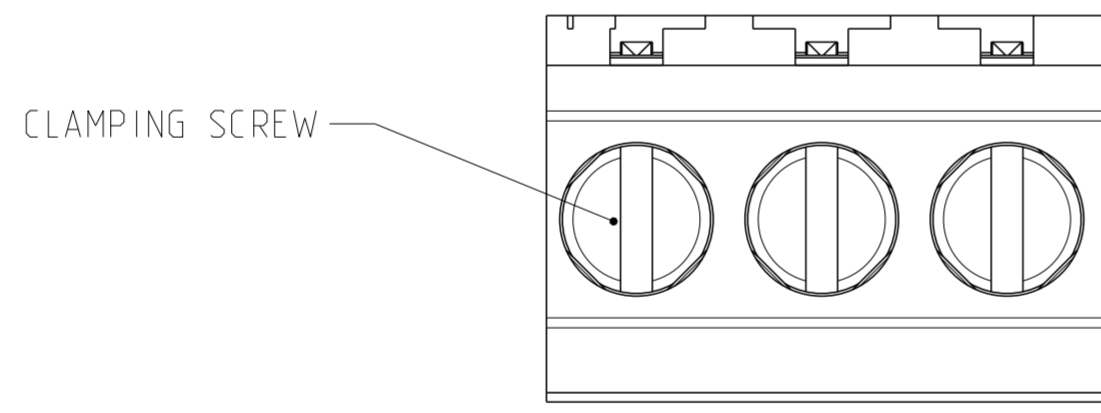
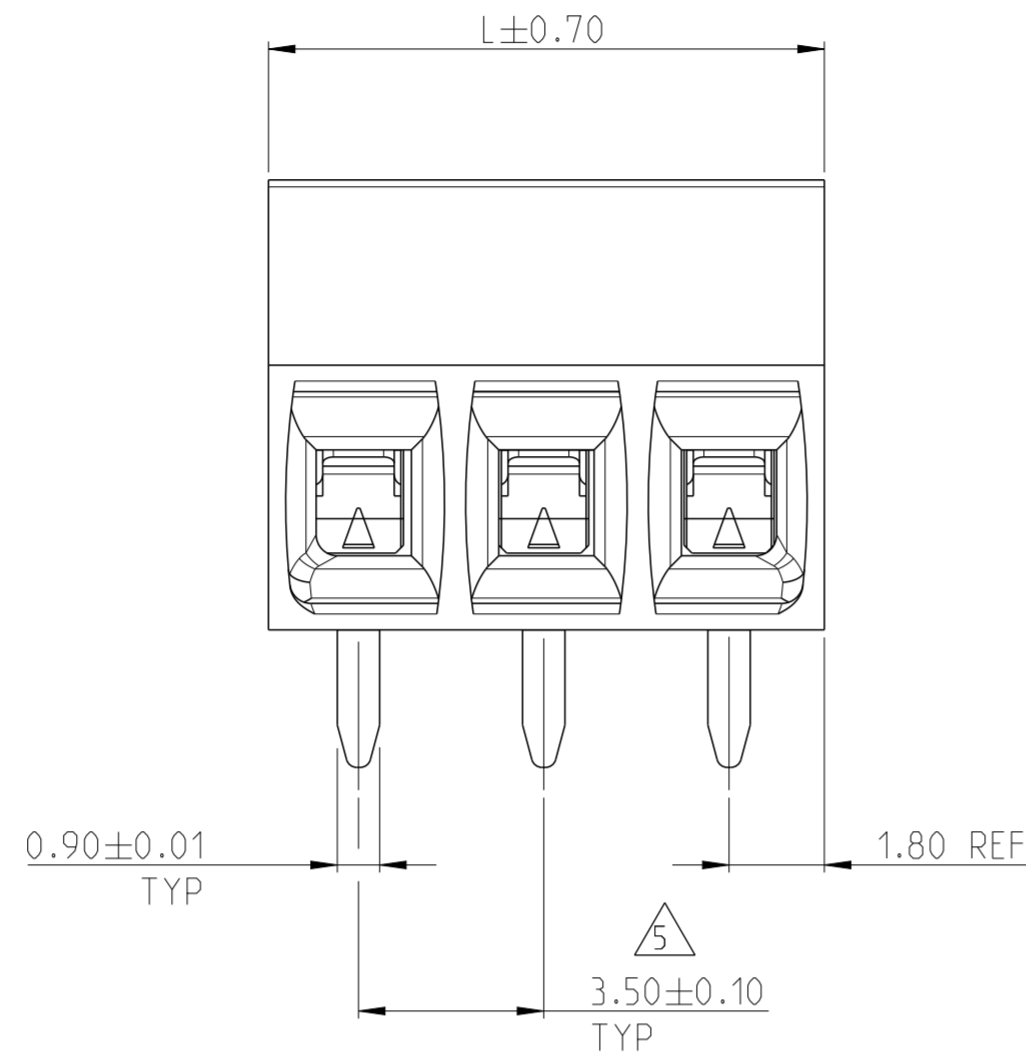
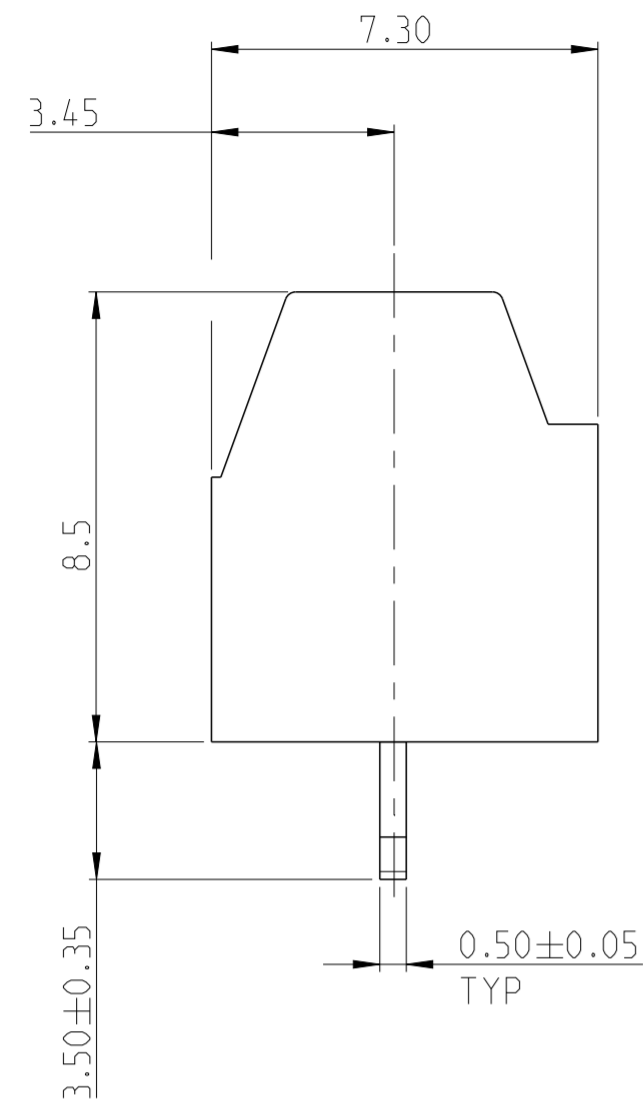


THIS DRAWING IS UNPUBLISHED. RELEASED FOR PUBLICATION 20  
 © COPYRIGHT 20 BY - ALL RIGHTS RESERVED.

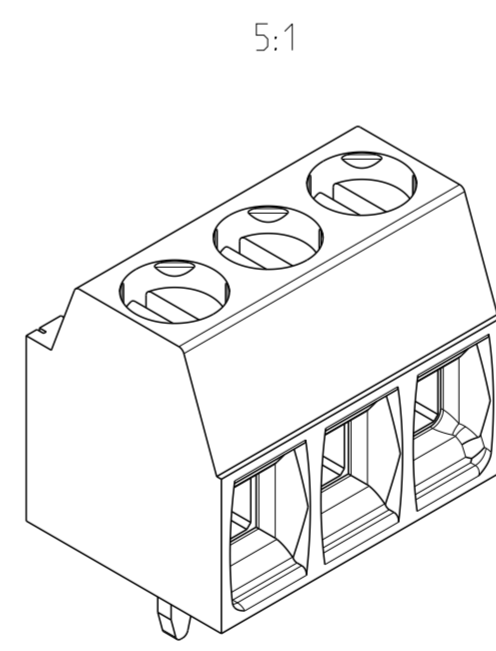
REVISIONS					
P	LTR	DESCRIPTION	DATE	DWN	APVD
B		PACKAGING CHANGED FROM BLACK POLYURETHANE SPONGE TO TRAY	26FEB2018	RK	PS



RECOMMENDED PC BOARD LAYOUT

NOTES:

- MATERIALS AND FINISH:  
 HOUSING : PA 6-6, UL 94 VO-RATED, COLOR: GREEN.  
 TERMINAL : COPPER ALLOY, TIN PLATED.  
 CLAMP : COPPER ALLOY, NICKEL PLATED.  
 CLAMPING SCREW : M2, COPPER ALLOY, NICKEL PLATED.
  - MECHANICAL  
 WIRE STRIPPING LENGTH : 5.0-6.0 mm  
 MIN. PC BOARD HOLES DIAMETER : 1.1 mm  
 MAX. PC BOARD THICKNESS : 2.4 mm  
 RECOMMENDED TIGHTENING TORQUE FOR SCREW: 0.2 Nm.
  - ELECTRICAL  
 WIRE RANGE : 16-28 AWG  
 MAX. VOLTAGE : 300 V  
 MAX CURRENT : 12 A  
 CONTACT RESISTANCE : < 15 m Ohm  
 INSULATION RESISTANCE : > 1000 M Ohm (500V DC)
  - OPERATING TEMPERATURE RANGE: -40°C TO +110°C
- 5 TOLERANCE NOT CUMULATIVE.  
 6 HOUSING COLOUR IS GREEN  
 7 HOUSING COLOUR IS BLACK
8. PACKED IN TRAY.



1546551-3 AS SHOWN

OBSOLETE	87.50	25		<del>1-1546551-7</del>
	84.00	24		<del>2-1546551-4</del>
	80.50	23		<del>2-1546551-3</del>
	77.00	22		<del>2-1546551-2</del>
	73.50	21		<del>2-1546551-1</del>
	70.00	20		<del>2-1546551-0</del>
	66.50	19		<del>1-1546551-9</del>
	63.00	18		<del>1-1546551-8</del>
	59.50	17		<del>1-1546551-7</del>
	56.00	16		<del>1-1546551-6</del>
	52.50	15		<del>1-1546551-5</del>
	49.00	14		<del>1-1546551-4</del>
	45.50	13		<del>1-1546551-3</del>
	42.00	12		1-1546551-2
	38.50	11		1-1546551-1
	35.00	10		1-1546551-0
	31.50	9		1546551-9
	28.00	8	2842089-8	1546551-8
	24.50	7	2842089-7	1546551-7
	21.00	6	2842089-6	1546551-6
17.50	5	2842089-5	1546551-5	
14.00	4	2842089-4	1546551-4	
10.50	3	2842089-3	1546551-3	
7.00	2	2842089-2	1546551-2	
L	NO OF POSN	7 TE PART NUMBER	6 TE PART NUMBER	

THIS DRAWING IS A CONTROLLED DOCUMENT.

DWN S. WELDON 30APR2003  
 CHK C. RICHARD 30APR2003  
 APVD C. RICHARD 30APR2003

TE Connectivity

NAME: TERMINAL BLOCK, PCB MOUNT, STRAIGHT, 8.5mm PROFILE, SIDE WIRE ENTRY, 3.5mm PITCH

SIZE: A2 CAGE CODE: - DRAWING NO: C-1546551 RESTRICTED TO: -

MATERIAL: SEE NOTES TOLERANCES UNLESS OTHERWISE SPECIFIED: SEE NOTES

0 PLC ±  
 1 PLC ±0.3  
 2 PLC ±0.25  
 3 PLC ±  
 4 PLC ±  
 ANGLES ±  
 FINISH

WEIGHT: -

CUSTOMER DRAWING SCALE: 7:1 SHEET: 1 OF 1 REV: B

## X-ON Electronics

Largest Supplier of Electrical and Electronic Components

*Click to view similar products for [Fixed Terminal Blocks](#) category:*

*Click to view products by [TE Connectivity](#) manufacturer:*

Other Similar products are found below :

[MBE-1512](#) [MBE-154](#) [MBE-156](#) [MBES-153](#) [MBES-156](#) [MH-2512](#) [MHE-132](#) [MHE-163](#) [MI-254 \(35\)](#) [MI-272](#) [880507](#) [MPT-275](#)  
[15602-04-08-21](#) [ELM023100](#) [BA311TU](#) [BA411SU](#) [MV-152](#) [MV-252-D](#) [MV-253/NCNOC](#) [MV-254-D](#) [MV-255](#) [MV-462](#) [MV-493](#) [MVE-](#)  
[253](#) [MVE-273](#) [MVEB-153](#) [1700096](#) [1705142](#) [1712417](#) [1713020](#) [1713088](#) [1745195](#) [1760594](#) [1776118-2](#) [1790852](#) [1-796689-8](#) [1-796692-6](#)  
[1800001](#) [1800114](#) [1995279](#) [20020314-C121B01LF](#) [CB2-12](#) [KP03215000J0G](#) [KP04215000J0G](#) [S451](#) [282802-2](#) [29.007](#) [29.116](#) [30.103](#)  
[30.106](#)