

THIS DRAWING IS UNPUBLISHED.

RELEASED FOR PUBLICATION

ALL RIGHTS RESERVED.

© COPYRIGHT - By -

LOC FT DIST 0

REVISIONS

| P | LTR | DESCRIPTION | DATE | DWN | APVD |
|----|-----|-----------------------------------|-----------|-----|------|
| D1 | | UPDATION OF ANGLED PCB MOUNT VIEW | 19JUN2015 | NV | PS |

D-SUB CONNECTOR:

MATERIAL:

HOUSING: THERMOPLASTIC POLYESTER, 94V-0.
CONTACTS: COPPER ALLOY, GOLD PLATED.

MECHANICAL:

WIRE RANGE: 26-30 AWG SOLID, 28 AWG STRANDED.

TERMINAL BLOCK:

MATERIAL:

HOUSING: THERMOPLASTIC NYLON, BLACK, 94V-0.
TERMINALS: COPPER ALLOY, TIN PLATED.
SCREWS: 3M, BRASS, NICKEL PLATED.

ELECTRICAL CSA/UL:

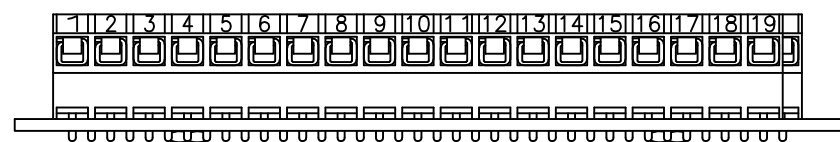
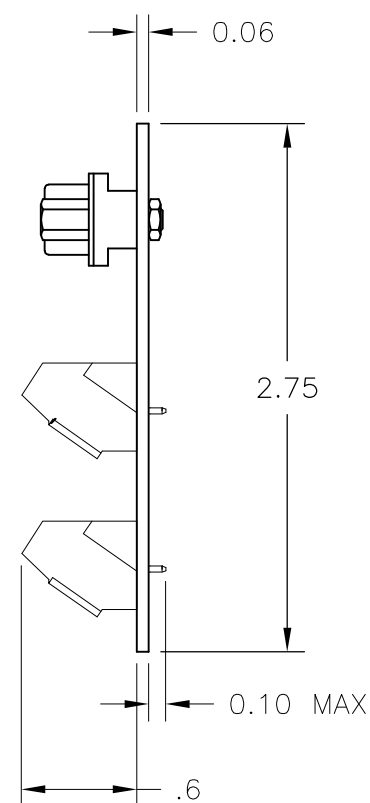
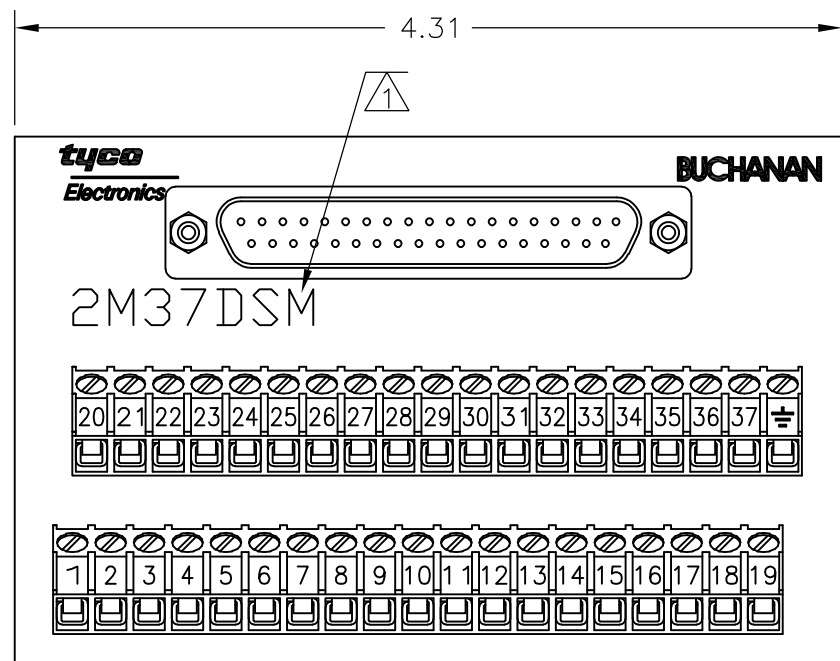
RATING: 10A, 300V.

MECHANICAL:

WIRE RANGE: 14-22 AWG.
MOUNTING: 2TK2 AND 2TK2D SERIES SNAPTRACK,
(SOLD SEPARATELY).

NOTES:

- ① CATALOG NUMBER MARKED HERE.
- ② CONTAINS NO TIN-LEAD PLATING.



| | | |
|---|-------------|-------------|
| ② | 2M37DSML | 1546695-1 |
| | 2M37DSM | 2-1437684-3 |
| | CATALOG NO. | PART NO. |

| | | | | |
|--|--|------------------------|---|--|
| THIS DRAWING IS A CONTROLLED DOCUMENT. | | DWN S SCHLEGEL 08JUL02 | STE TE Connectivity | |
| DIMENSIONS: INCHES | | CHK H. WAKEEM 7/8/02 | | |
| TOLERANCES UNLESS OTHERWISE SPECIFIED: | | APVD H. WAKEEM 7/8/02 | NAME 2M37DSM ASSEMBLY | |
| 0 PLC ± - | | PRODUCT SPEC - | SIZE CAGE CODE DRAWING NO RESTRICTED TO | |
| 1 PLC ± .1 | | APPLICATION SPEC - | A3 00779 C-2-1437684-3 | |
| 2 PLC ± .01 | | WEIGHT - | SCALE NTS SHEET 1 OF 1 REV D1 | |
| 3 PLC ± - | | CUSTOMER DRAWING | | |
| 4 PLC ± - | | | | |
| ANGLES ± - | | | | |
| MATERIAL - | | | | |
| FINISH - | | | | |

X-ON Electronics

Largest Supplier of Electrical and Electronic Components

Click to view similar products for [Terminal Block Interface Modules](#) category:

Click to view products by [TE Connectivity](#) manufacturer:

Other Similar products are found below :

[73-551-6002I](#) [GCN1MX25B](#) [DIN-50P-01](#) [DIN-68H-01](#) [DIN-96DI-01](#) [2291901](#) [2295185](#) [2907794](#) [2M10FCL](#) [FLKM-2I/O](#) [FLKM-4I/O](#)
[2281759](#) [2906251](#) [2907808](#) [5601749](#) [5541962](#) [1776613-1](#) [GCN1-004A](#) [ADAM-3920R-AE](#) [060-6827-06](#) [2311030](#) [2287708](#) [XW2C-20G6-](#)
[IO16](#) [GCN1-T](#) [MACX](#) [MCR-VAC](#) [5775235](#) [ADAM-3956-BE](#) [XW6T-COM2.5X20YL](#) [XW6T-COM1.5X8BL](#) [XW6T-COM1.5X16BL](#)
[XW6T-COM1.5X20YL](#) [XW6T-COM1.5X16YL](#) [XW6T-COM1.5X20RD](#) [XW6T-COM1.5X20BL](#) [XW6T-COM2.5X8BL](#) [1976610000](#) [UM](#)
[45-D50SUB/B/ZFKDS](#) [5541234](#) [410-261](#) [2906243](#) [2906915](#) [2907706](#) [ADAM-3909-AE](#) [ADAM-3920-AE](#) [ADAM-3925-AE](#) [ADAM-3937-](#)
[BE](#) [ADAM-3950-AE](#) [ADAM-3951-BE](#) [ADAM-3968-AE](#) [ADAM-3968/50-AE](#)