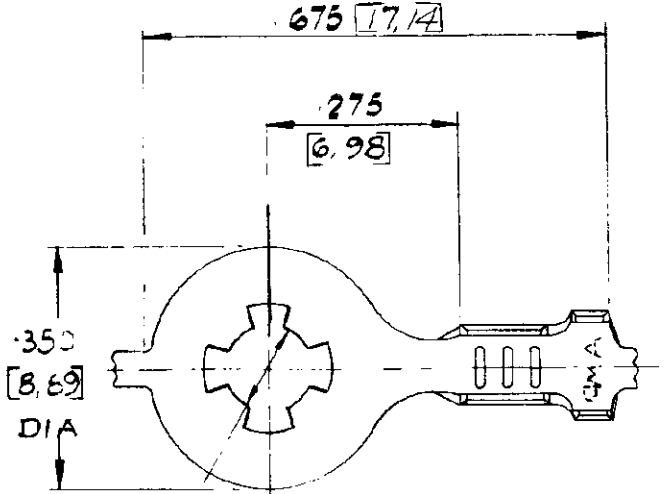


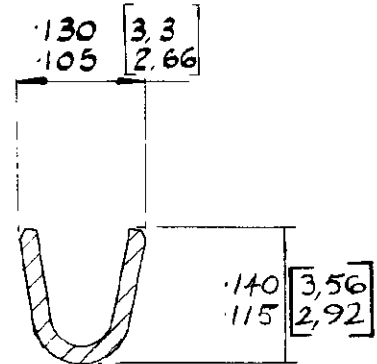
NUMBER
C 154672

3rd ANGLE (AMERICAN) PROJECTION

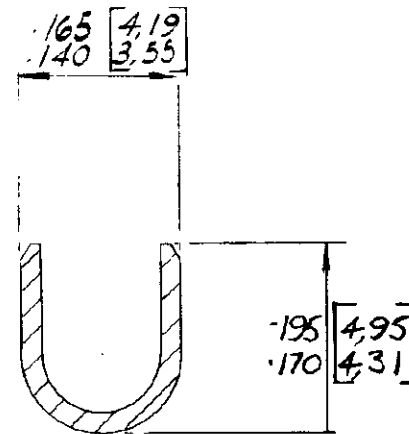
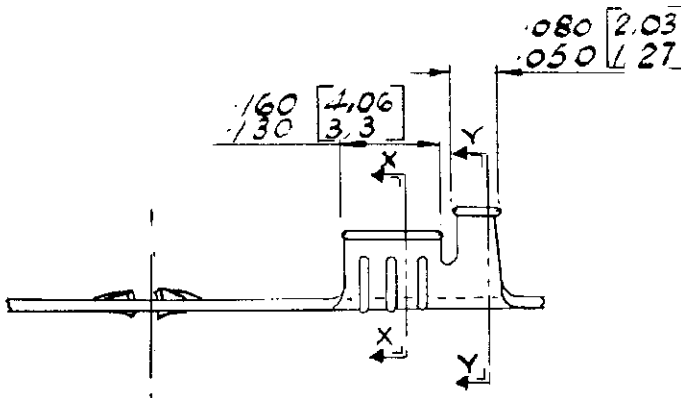
DIMENSIONS IN INCHES. DO NOT SCALE PRINT
DIMENSIONS THUS [] IN MM.



STUD HOLE .131 [3,33] DIA.
(TO SUIT 3MM STUD)



SECTION X-X
SCALE 6:1



SECTION Y-Y
SCALE 6:1

154672-3	STEEL	NICKEL
154672-2	STEEL	ELECTRO-TIN
154672-1	STEEL	NONE
PART NO	MATERIAL	FINISH

NOTE:-
INSULATION RANGE .120 [3,05] DIA.
.100 [2,54]

© AMP of GREAT BRITAIN LTD 1974

CUSTOMER COPY REFERENCE ONLY

MATERIAL AND FINISH
.018 [0,46] THICK
SEE TABLE

AMP of Great Britain Ltd

TERMINAL HOUSE, STANMORE, MIDDX.

CLASS

0 RELEASED FOR PRODUCTION PS 19/274

WIRE - RANGE - INSULATION
20-16 SEE NOTE

TOLERANCE EXCEPT AS NOTED
± .015 [0,38] ± 1°

SCALE 4:1

LOC E NO A C154672

TYPE

REV

PRINT. DIST.

LTR REVISION RECORD DR CHK DATE

DR C.E. SLOUGH 12/6/74 DE

CHK B. SMITH 10/6/74 APP

NAME
SHAKE PROOF RING TONGUE

[PART NO WAS CP74-13442]

GAF 9245/70

X-ON Electronics

Largest Supplier of Electrical and Electronic Components

Click to view similar products for [Terminals](#) category:

Click to view products by [TE Connectivity](#) manufacturer:

Other Similar products are found below :

[00-054007-01074-6](#) [00-054007-70206-1](#) [00-054007-70210-8](#) [00-054007-70217-7](#) [00-054007-70226-9](#) [00-054007-70228-3](#) [00-054007-70248-1](#) [00-054007-70256-6](#) [00-054007-70301-3](#) [00-054007-70316-7](#) [00-054007-49560-4](#) [00-054007-70209-2](#) [00-054007-70225-2](#) [00-054007-70227-6](#) [00-054007-70231-3](#) [00-054007-70241-2](#) [00-054007-70242-9](#) [00-054007-70244-3](#) [00-054007-70246-7](#) [00-054007-70263-4](#) [00-054007-70288-7](#) [00-054007-70290-0](#) [00-054007-70300-6](#) [00-054007-70304-4](#) [01-2065-1-0216](#) [01-2900-1-04412](#) [00581P0075](#) [600TS-10](#) [60205-1](#) [604200-1](#) [605601-1](#) [60598-1-CUT-TAPE](#) [61314-6-C](#) [61810-3](#) [61-S](#) [61-SN](#) [626-0194](#) [62-NBM-A](#) [62-SN](#) [62-SP](#) [63-S](#) [640179-1](#) [M55155/059I03](#) [M55155/079C01](#) [M55155/099H02](#) [M55155/109H01](#) [M55155/109H02](#) [M55155/12XH05](#) [M55155/16XH02](#) [M55155/29-5S](#)