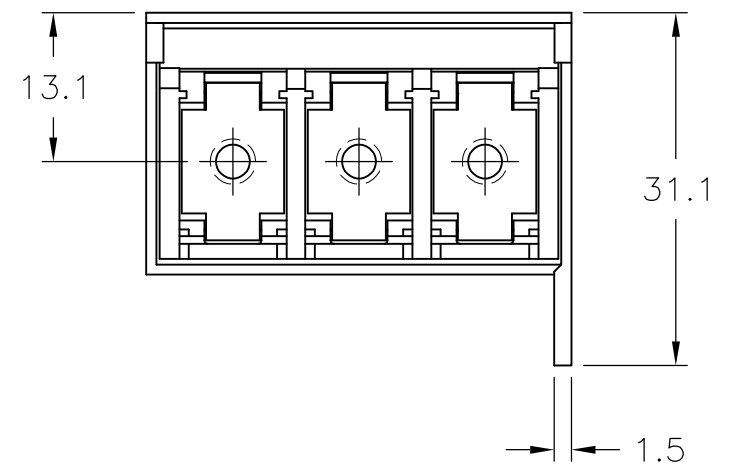


THIS DRAWING IS UNPUBLISHED. RELEASED FOR PUBLICATION
 © COPYRIGHT BY TYCO ELECTRONICS CORPORATION. ALL INTERNATIONAL RIGHTS RESERVED.

LOC	DIST	REVISIONS			
P	LTR	DESCRIPTION	DATE	DWN	APVD
	A4	REVISED PER ECO-09-025275	11NOV09	HMR	CR

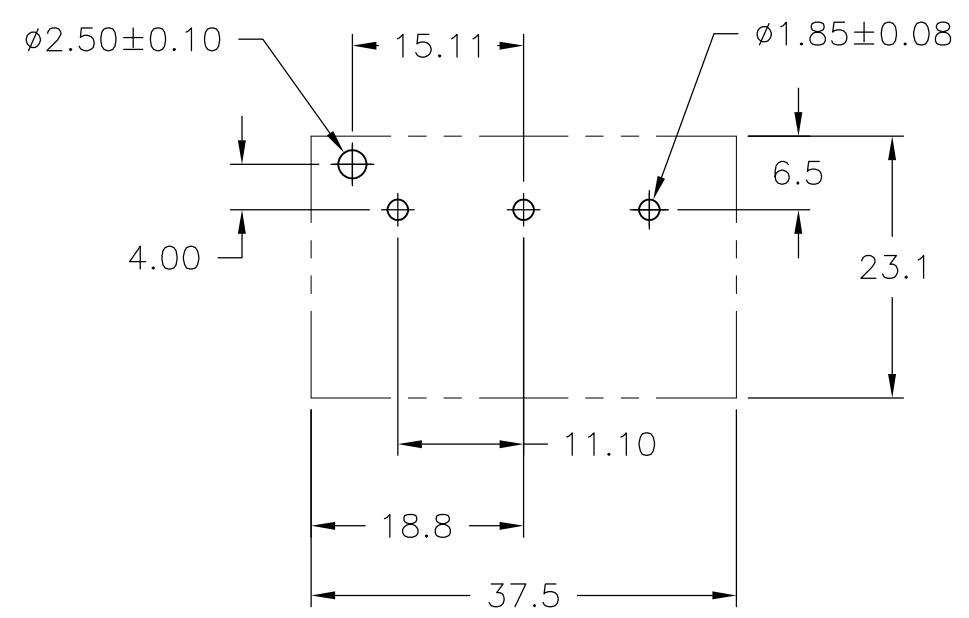
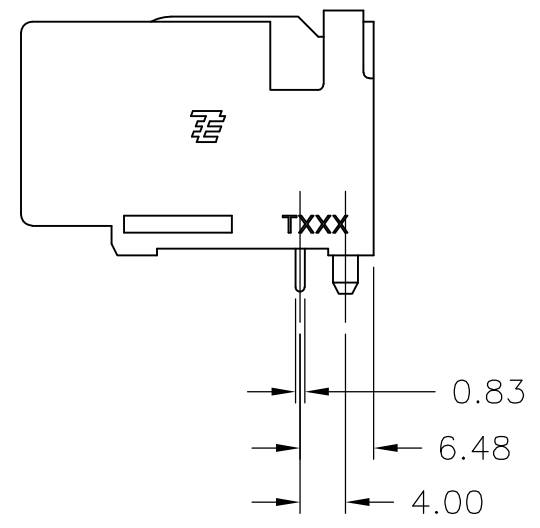
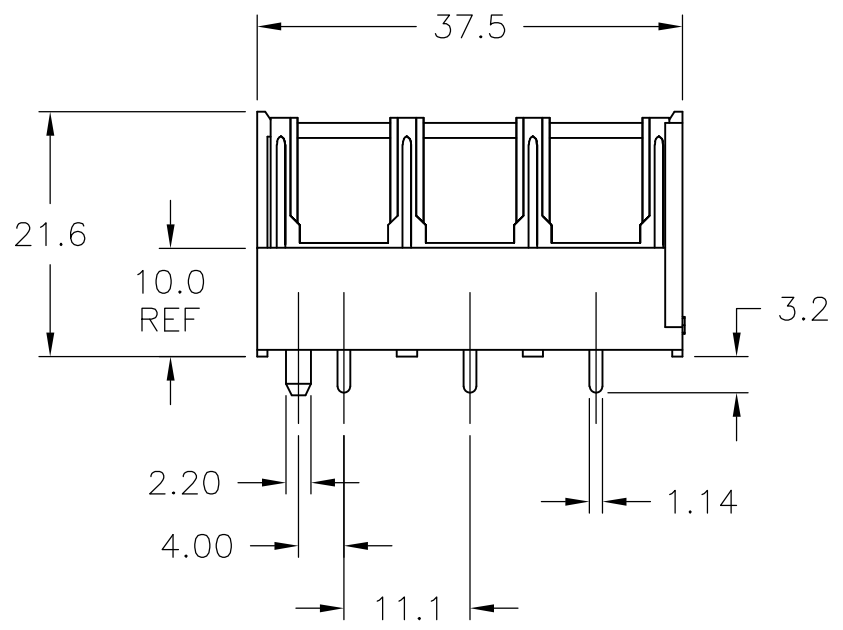


MATERIALS:
 HOUSING: THERMOPLASTIC, UL94V-0, BLACK.
 TERMINAL: BRIGHT TIN PLATED COPPER ALLOY.
 SCREWS: M4, STEEL, NICKEL PLATED.

ELECTRICAL:
 CURRENT RATING: 30A
 VOLTAGE RATING: 600V
 WIRE RANGE: 10-18 AWG (UL)
 10-22 AWG (CSA)

MECHANICAL:
 RECOMMENDED TORQUE: 20 IN-LB
 OPERATING TEMP.: -40°C TO +120°C

⚠ M4 THREAD IN TERMINAL, NO SCREWS INCLUDED.



RECOMMENDED PCB LAYOUT

NOTES	NO OF POS	CATALOG NUMBER	PART NUMBER
M4 TORX HEAD SCREW	3	8PCV-03-506-3	1546728-9
M4 TORX HEAD SCREW	3	8PCV-03-506-2	1546728-8
M4 COMBO SCREW HEAD	3	8PCV-03-506-1	1546728-7
NO SCREWS ⚠	3	8PCV-03-506	1546728-4

THIS DRAWING IS A CONTROLLED DOCUMENT.		DWN S SCHLEGEL 7/13/09	Tyco Electronics Corporation Harrisburg, PA 17105-3608	
DIMENSIONS: mm		CHK C RICHARD 7/13/09	NAME 8PCV-XX-006 ASSEMBLY W/ SOLDER GUARD	
TOLERANCES UNLESS OTHERWISE SPECIFIED:		APVD C RICHARD 7/13/09	PRODUCT SPEC -	
0 PLC ± - 1 PLC ± .3 2 PLC ± .25 3 PLC ± - 4 PLC ± - ANGLES ± 2°		APPLICATION SPEC -		
MATERIAL -	FINISH -	WEIGHT -	SIZE A3	CAGE CODE 00779
CUSTOMER DRAWING			DRAWING NO C-1546728-4	RESTRICTED TO -
			SCALE NTS	SHEET 1 OF 2
			REV A4	

4

3

2

1

THIS DRAWING IS UNPUBLISHED.

RELEASED FOR PUBLICATION

LOC

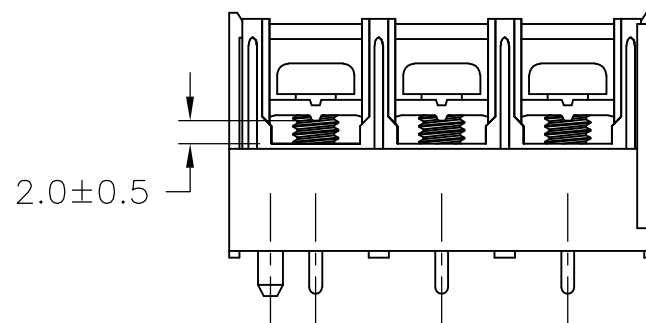
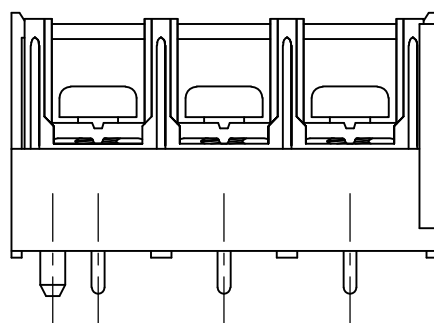
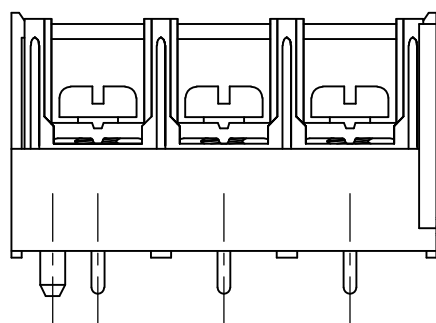
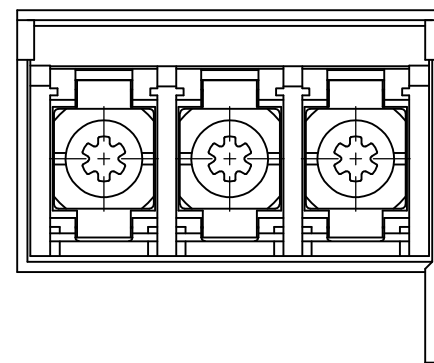
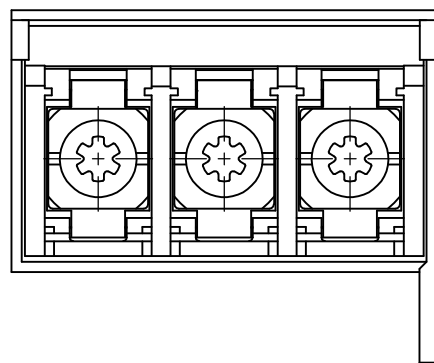
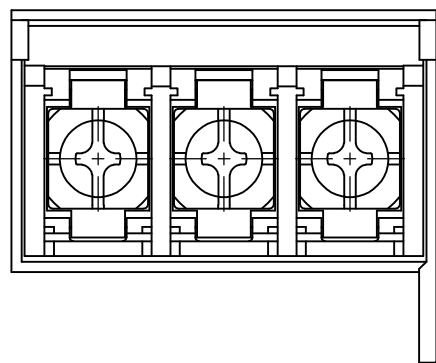
DIST

REVISIONS

© COPYRIGHT - BY TYCO ELECTRONICS CORPORATION.

ALL INTERNATIONAL RIGHTS RESERVED.

P	LTR	DESCRIPTION	DATE	DWN	APVD
-	-	SEE SHEET 1	-	-	-



1546728-7

1546728-8

1546728-9

2.0±0.5

THIS DRAWING IS A CONTROLLED DOCUMENT.

DIMENSIONS:	TOLERANCES UNLESS OTHERWISE SPECIFIED:
mm	
	0 PLC ± -
	1 PLC ± .3
	2 PLC ± .25
	3 PLC ± -
	4 PLC ± -
	ANGLES ± 2°

MATERIAL - FINISH -

DWN S SCHLEGEL 7/13/09

CHK C RICHARD 7/13/09

APVD C RICHARD 7/13/09

PRODUCT SPEC -

APPLICATION SPEC -

WEIGHT -

Tyco Electronics Tyco Electronics Corporation
 Harrisburg, PA 17105-3608

NAME 8PCV-XX-006 ASSEMBLY W/ SOLDER GUARD

SIZE	CAGE CODE	DRAWING NO	RESTRICTED TO
A3	00779	C-1546728-4	-

CUSTOMER DRAWING SCALE NTS SHEET 2 OF 2 REV A4

X-ON Electronics

Largest Supplier of Electrical and Electronic Components

Click to view similar products for [Barrier Terminal Blocks](#) category:

Click to view products by [TE Connectivity](#) manufacturer:

Other Similar products are found below :

[6C1N03](#) [6PCR-02-008](#) [6PCR-05-008](#) [6PCR-08-008](#) [6PCR-21-006](#) [6PCV-06-008](#) [6PCV-10-009](#) [6PCV-15-008](#) [6STR-06-006](#) [6STR-08-006](#)
[6STR-12-008](#) [6STR-14-008](#) [6STR-16-008](#) [6STR-17-008](#) [6STR-21-008](#) [6STR-25-008](#) [6STR-27-008](#) [6STV-03-006](#) [6STV-03-008](#) [6STV-04-006](#) [6STV-10-006](#) [6WWR-03](#) [6WWV-12-008](#) [6WWV-16-008](#) [7-1546701-0](#) [72212603](#) [72503-C](#) [72504-C-50](#) [73203](#) [76007](#) [7604-501LF](#)
[77010-50](#) [796985-3](#) [796988-4](#) [7C1N08](#) [8-1437402-5](#) [8-1437402-7](#) [8-1546158-0](#) [870505](#) [870903](#) [8PCR-06-006](#) [8PCV-02-008](#) [8PCV-05-008](#)
[8PCV-09-006](#) [8PCV-15-006](#) [8PCV-17-006](#) [8QCR-03-008](#) [8STV-04-006](#) [9-1437402-3](#) [A103104](#)