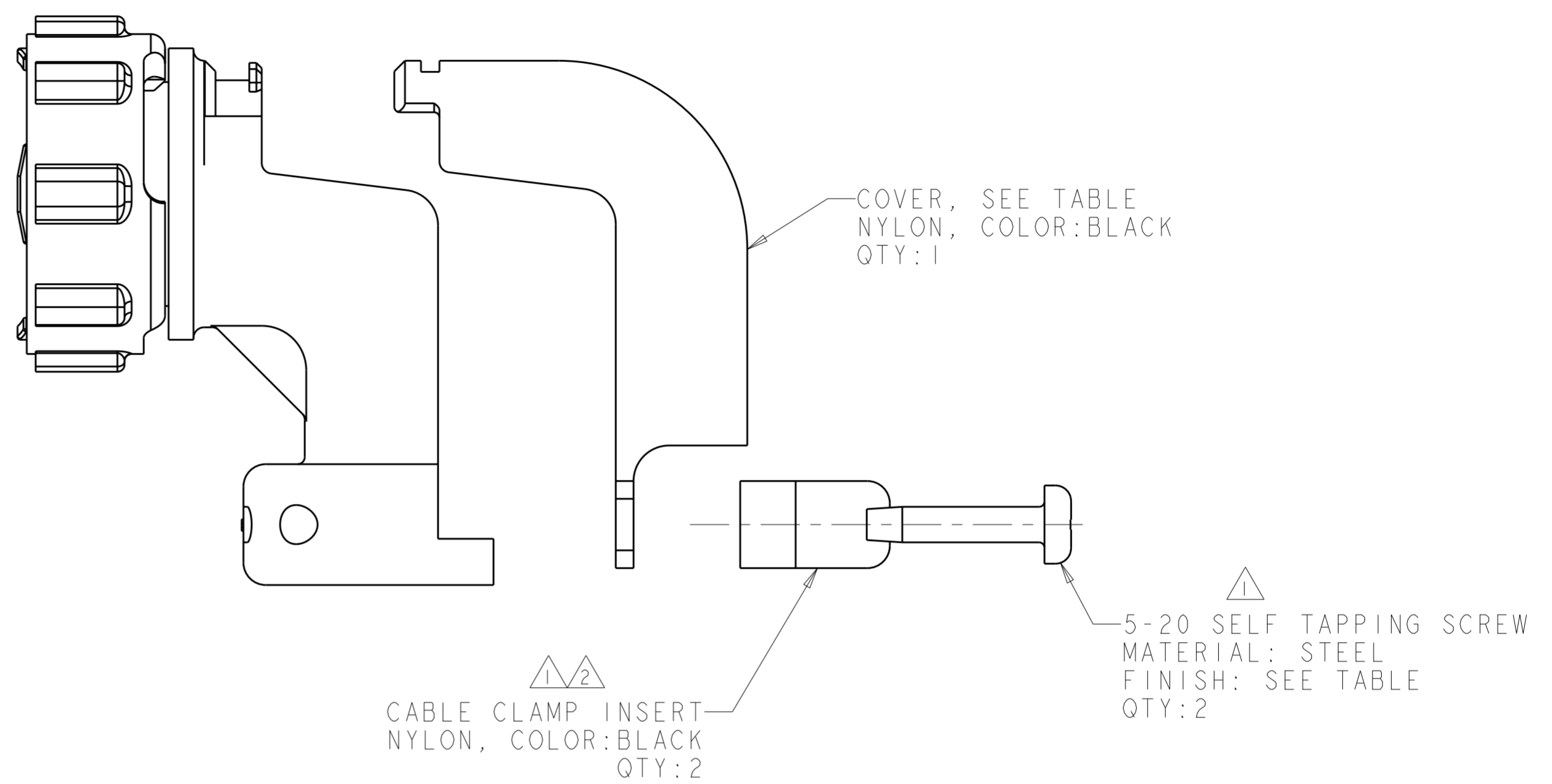
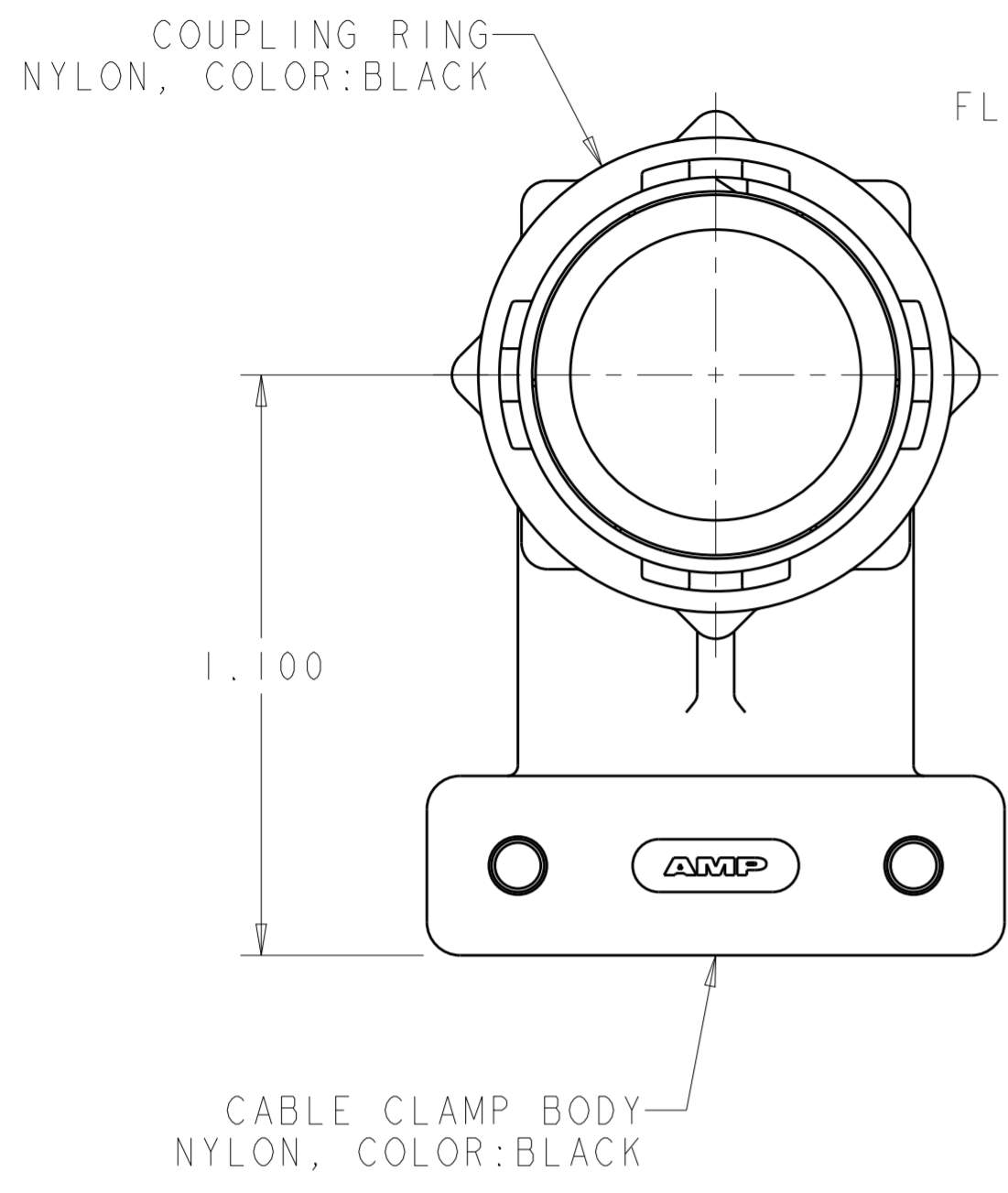
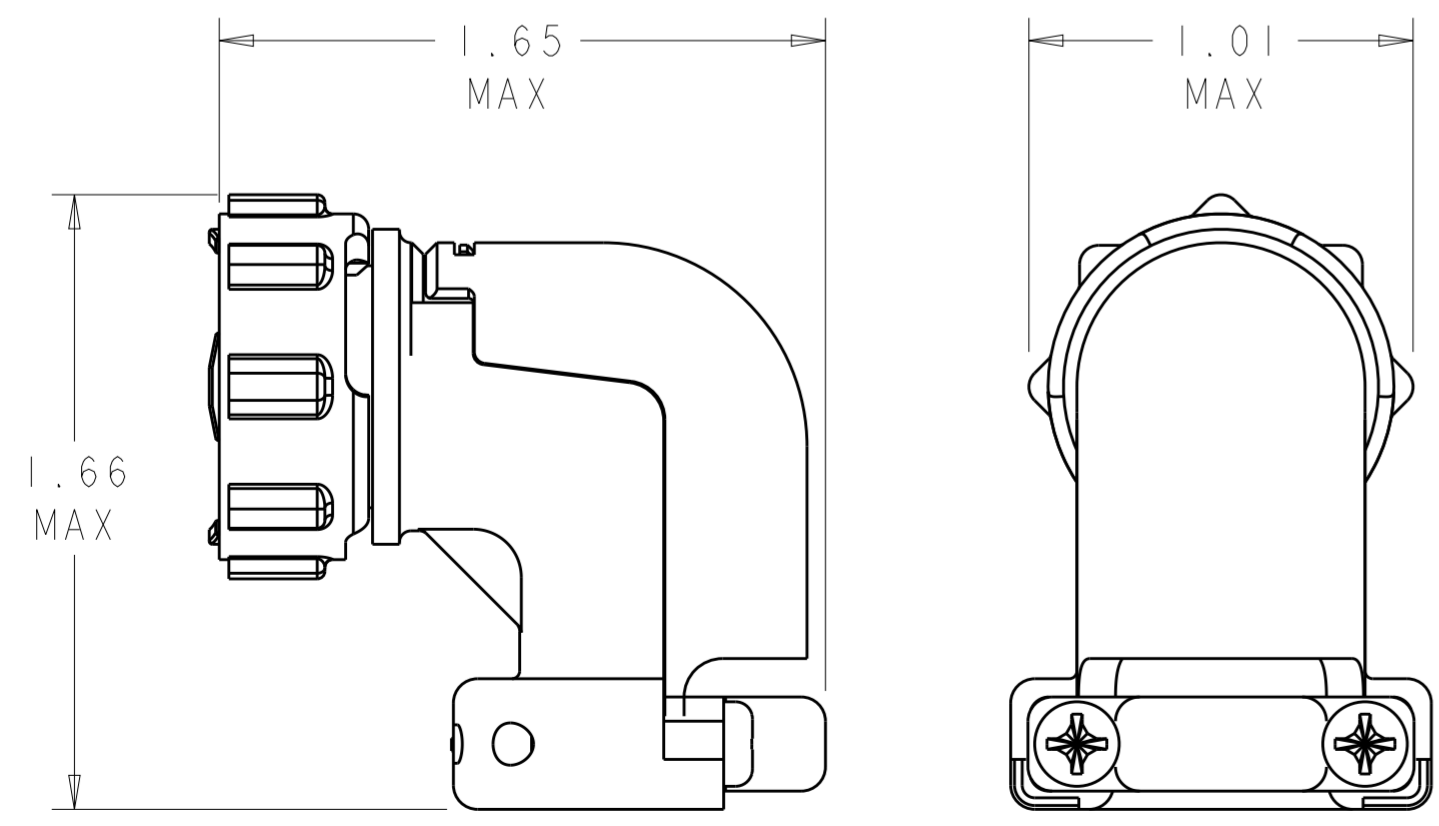


THIS DRAWING IS UNPUBLISHED. RELEASED FOR PUBLICATION
 © COPYRIGHT 20 BY - ALL RIGHTS RESERVED.

REVISIONS				
P	LTR	DESCRIPTION	DATE	APVD
C	I	REVISED PER ECO-16-004800	08SEP2016	NK MZ
D	D	REVISED PER ECR-16-017870	20APR2017	BDA MZ



- ① SELF TAPPING SCREWS AND CABLE CLAMP INSERTS PACKAGED UNASSEMBLED.
- ② CLAMPING AREA ADJUSTABLE TO .453 O.D. MAX CABLE. CABLE CLAMP INSERTS CAN BE ADJUSTED BY INVERTING OR CHANGING CABLE CLAMP INSERT.



ASSEMBLED VIEW
SCALE 2:1

	ZINC PLATED NON-HEXAVALENT CHROMATE	YES	1546746-4
	ZINC PLATED NON-HEXAVALENT CHROMATE	NO	1546746-3
OBSOLETE	ZINC PLATED NON-HEXAVALENT CHROMATE	YES	1546746-2
OBSOLETE	ZINC PLATED NON-HEXAVALENT CHROMATE	NO	1546746-1
	SCREW FINISH	COVER	PART NUMBER

THIS DRAWING IS A CONTROLLED DOCUMENT.		DWN S. WELDON 06 JUN 2003	TE Connectivity
DIMENSIONS: INCHES		CHK H. WAKEEM 06 JUN 2003	
TOLERANCES UNLESS OTHERWISE SPECIFIED:		APVD H. WAKEEM 06 JUN 2003	
0 PLC ± 1 PLC ± 2 PLC ± 3 PLC ±0.005 4 PLC ± ANGLES ± FINISH -		NAME CABLE CLAMP KIT, UNASSEMBLED, R/A, W/COVER, SIZE 11, MINI CPC PRODUCT SPEC - APPLICATION SPEC - WEIGHT -	
MATERIAL -		CUSTOMER DRAWING	SIZE A200779 CAGE CODE C-1546746 DRAWING NO 1546746 RESTRICTED TO - SCALE 3:1 SHEET 1 OF 1 REV D

X-ON Electronics

Largest Supplier of Electrical and Electronic Components

Click to view similar products for [Accessories for Robotics and RC](#) category:

Click to view products by [TE Connectivity](#) manufacturer:

Other Similar products are found below :

[56T705](#) [015-9516-002](#) [01.001.6453.0](#) [641763-8](#) [CW106-01X](#) [CW30101A](#) [CW31701A](#) [6G38EC](#) [D2041839](#) [70.352.0628.0](#) [73.353.4028.1](#)
[FB22001A](#) [FB30601A](#) [9009030000](#) [9501](#) [121587-0026](#) [1218510-1](#) [1218629-4](#) [1218630-4](#) [1261000A00M001](#) [128-26-5](#) [1367251-2](#) [14](#) [1-](#)
[449604-1](#) [1460g4](#) [1470g4](#) [DV0PM20034](#) [MS27488-16-1](#) [MS3057-12A W/B](#) [MS3057-8A-624](#) [MS600-2-XP-1A](#) [MS-602-GEE-14-07C](#)
[MS603-12-01A](#) [MS90376-14R](#) [MS90376-16RB](#) [MTB1-11PH3](#) [1676610000](#) [1A9224 REV A](#) [C72205](#) [210-115](#) [CA20L22](#) [2227383-1](#) [225-](#)
[0098-000](#) [KA-89-82](#) [CB20201X](#) [KC-89-104](#) [CB30601A](#) [CB31201A](#) [236-600](#) [CBC120210-752](#)