

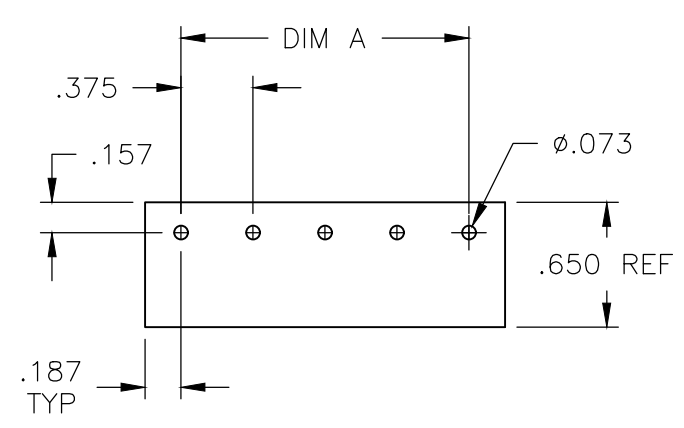
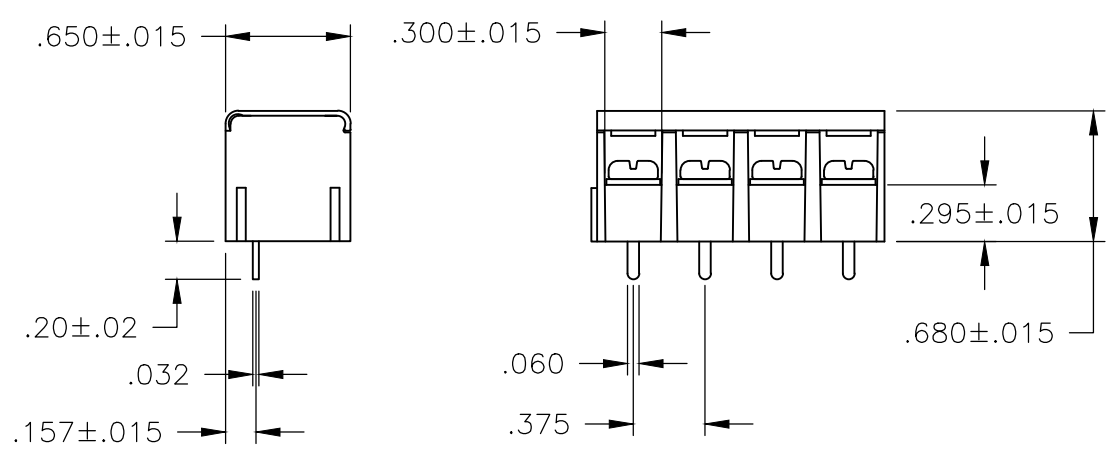
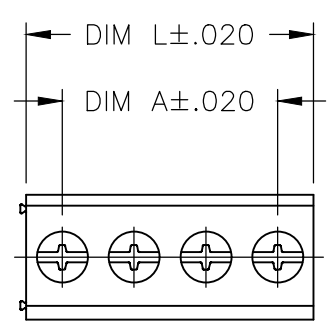
THIS DRAWING IS UNPUBLISHED.      RELEASED FOR PUBLICATION  
 © COPYRIGHT - TE Connectivity Ltd.      ALL RIGHTS RESERVED.

REVISIONS					
P	LTR	DESCRIPTION	DATE	DWN	APVD
	D1	DWG UPDATED TO TE CONNECTIVITY TEMPLATE	03OCT2019	RK	PS

MATERIALS:  
 HOUSING: NYON, UL94V-0, BLACK.  
 TERMINALS: TIN PLATED, COPPER ALLOY.  
 SCREW: M3.5, NICKEL PLATED STEEL.

ELECTRICAL PROPERTIES:  
 RATING: 15A, 300V.  
 WIRE RANGE: 14-22 AWG.  
 TIGHTENING TORQUE: 12 IN-LB.

ENVIRONMENTAL PROPERTIES:  
 MAX OPERATING TEMP.: 120°C



RECOMMENDED PCB LAYOUT

3.000	2.625	8	1546833-8
2.625	2.250	7	1546833-7
2.250	1.875	6	1546833-6
1.875	1.500	5	1546833-5
1.500	1.125	4	1546833-4
1.125	.750	3	1546833-3
.750	.375	2	1546833-2
DIM L	DIM A	NO OF POS	PART NUMBER

THIS DRAWING IS A CONTROLLED DOCUMENT.		DWN S SCHLEGEL 08OCT03	TE Connectivity		
DIMENSIONS: INCHES		CHK S YODER 10/8/03			
TOLERANCES UNLESS OTHERWISE SPECIFIED:		APVD S YODER 10/8/03	NAME -		
0 PLC ± - 1 PLC ± - 2 PLC ± - 3 PLC ± .005 4 PLC ± - ANGLES ± -		PRODUCT SPEC -	.375 MODULAR TRIBARRIER W/ COVER, ASSEMBLY		
MATERIAL -		FINISH -	APPLICATION SPEC -	SIZE A3	CAGE CODE 00779
CUSTOMER DRAWING			DRAWING NO C-1546833	RESTRICTED TO -	SCALE NTS
			WEIGHT -	SHEET 1 OF 1	REV D1

## X-ON Electronics

Largest Supplier of Electrical and Electronic Components

*Click to view similar products for [Barrier Terminal Blocks](#) category:*

*Click to view products by [TE Connectivity](#) manufacturer:*

Other Similar products are found below :

[CR151D20104](#) [670A-RZ-15-KT20](#) [6C1N03](#) [6PCR-02](#) [6PCR-02-008](#) [6PCR-05-008](#) [6PCR-08-008](#) [6PCR-09-008](#) [6PCR-13-006](#) [6PCR-15-006](#) [6PCR-21-006](#) [6PCV-06-008](#) [6PCV-06-716](#) [6PCV-09-001](#) [6PCV-10-009](#) [6PCV-15-008](#) [6PCV-17-1206](#) [6PCV-20-323](#) [6PCV-30-006](#) [6STR-06-006](#) [6STR-08-006](#) [6STR-12-008](#) [6STR-13-006](#) [6STR-14-008](#) [6STR-16-008](#) [6STR-17-008](#) [6STR-21-008](#) [6STR-25-008](#) [6STR-27-008](#) [6STV-03-006](#) [6STV-03-008](#) [6STV-04-006](#) [6STV-09-006](#) [6STV-10-006](#) [6WWR-03-693](#) [6WWV-12-008](#) [6WWV-16-008](#) [72212603](#) [72504-C-50](#) [72506-C](#) [72507-C-50](#) [73203](#) [75505-C](#) [75505-C-50](#) [75510-C](#) [77010-50](#) [7C1N08](#) [812-GP-3/4ST-09](#) [8-1437402-5](#) [8-1437402-7](#)