

THIS DRAWING IS UNPUBLISHED.

RELEASED FOR PUBLICATION

© COPYRIGHT - TE Connectivity Ltd.

ALL RIGHTS RESERVED.

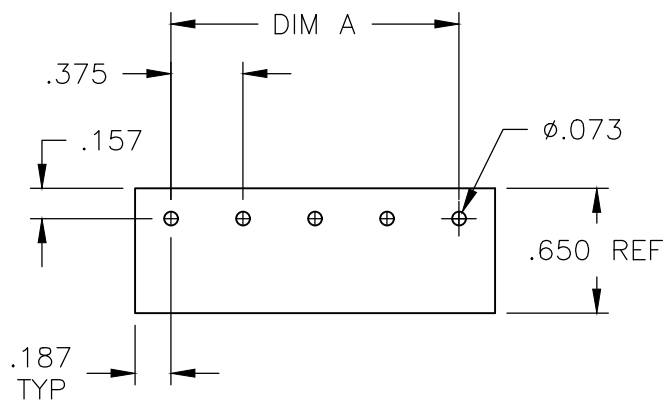
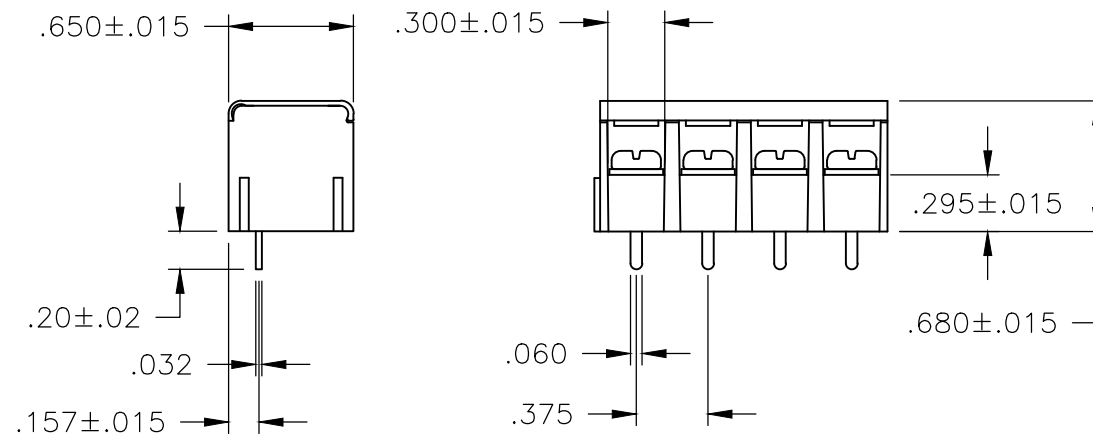
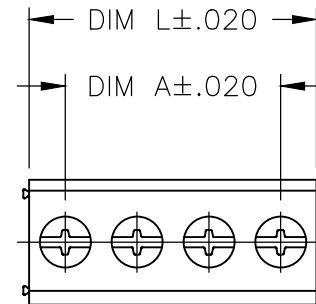
REVISIONS

P	LTR	DESCRIPTION	DATE	DWN	APVD
D1		DWG UPDATED TO TE CONNECTIVITY TEMPLATE	03OCT2019	RK	PS

MATERIALS:
 HOUSING: NYON, UL94V-0, BLACK.
 TERMINALS: TIN PLATED, COPPER ALLOY.
 SCREW: M3.5, NICKEL PLATED STEEL.

ELECTRICAL PROPERTIES:
 RATING: 15A, 300V.
 WIRE RANGE: 14-22 AWG.
 TIGHTENING TORQUE: 12 IN-LB.

ENVIRONMENTAL PROPERTIES:
 MAX OPERATING TEMP.: 120°C



RECOMMENDED PCB LAYOUT

3.000	2.625	8	1546833-8
2.625	2.250	7	1546833-7
2.250	1.875	6	1546833-6
1.875	1.500	5	1546833-5
1.500	1.125	4	1546833-4
1.125	.750	3	1546833-3
.750	.375	2	1546833-2
DIM L	DIM A	NO OF POS	PART NUMBER

THIS DRAWING IS A CONTROLLED DOCUMENT.		DWN S SCHLEGEL 08OCT03	STE TE Connectivity														
DIMENSIONS: INCHES		CHK S YODER 10/8/03															
TOLERANCES UNLESS OTHERWISE SPECIFIED:		APVD S YODER 10/8/03	NAME														
<table border="0"> <tr> <td>0 PLC</td> <td>± -</td> </tr> <tr> <td>1 PLC</td> <td>± -</td> </tr> <tr> <td>2 PLC</td> <td>± -</td> </tr> <tr> <td>3 PLC</td> <td>± .005</td> </tr> <tr> <td>4 PLC</td> <td>± -</td> </tr> <tr> <td>ANGLES</td> <td>± -</td> </tr> </table>		0 PLC	± -	1 PLC	± -	2 PLC	± -	3 PLC	± .005	4 PLC	± -	ANGLES	± -	PRODUCT SPEC	.375 MODULAR TRIBARRIER W/ COVER, ASSEMBLY		
0 PLC	± -																
1 PLC	± -																
2 PLC	± -																
3 PLC	± .005																
4 PLC	± -																
ANGLES	± -																
MATERIAL		APPLICATION SPEC	SIZE	CAGE CODE	DRAWING NO	RESTRICTED TO											
FINISH		WEIGHT	A3	00779	C-1546833	-											
CUSTOMER DRAWING			SCALE	SHEET	REV												
			NTS	1 OF 1	D1												

X-ON Electronics

Largest Supplier of Electrical and Electronic Components

Click to view similar products for [Barrier Terminal Blocks](#) category:

Click to view products by [TE Connectivity](#) manufacturer:

Other Similar products are found below :

[6C1N03](#) [6PCR-02-008](#) [6PCR-05-008](#) [6PCR-08-008](#) [6PCR-21-006](#) [6PCV-06-008](#) [6PCV-10-009](#) [6PCV-15-008](#) [6STR-06-006](#) [6STR-08-006](#)
[6STR-12-008](#) [6STR-14-008](#) [6STR-16-008](#) [6STR-17-008](#) [6STR-21-008](#) [6STR-25-008](#) [6STR-27-008](#) [6STV-03-006](#) [6STV-03-008](#) [6STV-04-006](#) [6STV-10-006](#) [6WWR-03](#) [6WWV-12-008](#) [6WWV-16-008](#) [7-1546701-0](#) [72212603](#) [72503-C](#) [72504-C-50](#) [73203](#) [76007](#) [7604-501LF](#)
[77010-50](#) [796985-3](#) [796988-4](#) [7C1N08](#) [8-1437402-5](#) [8-1437402-7](#) [8-1546158-0](#) [870505](#) [870903](#) [8PCR-06-006](#) [8PCV-02-008](#) [8PCV-05-008](#)
[8PCV-09-006](#) [8PCV-15-006](#) [8PCV-17-006](#) [8QCR-03-008](#) [8STV-04-006](#) [9-1437402-3](#) [A103104](#)