



AMP Circular Plastic Connectors (CPC) Series 45 Ethernet

DESCRIPTION

- This new series of CPC products accepts RJ45 inserts. The same CPC performance interface that is widely accepted over many markets has been expanded to handle Ethernet communications through Category 5 and 5e requirements.

KEY FEATURES

- For Category 5 and 5e cables
- Sealing performance per IP 67
- Protective sealing cap available for the receptacles
- Positive lock coupling ring provides for reliable connections

STANDARDS & SPECS

- | | | | | |
|------------------------------|-----------|-----------------------|----------|-----------|
| • Design Objective: | 108-2203 | • Instruction Sheets: | 408-8949 | 408-8950 |
| • Application Specification: | 114-13137 | | 408-8951 | 408-10091 |

APPLICATIONS

- Industrial machinery, Diagnostic equipment, Communications equipment, Printers, and any potential application where Ethernet is used when the connector requirement calls for a sealed, rugged connector interface.

FOR MORE INFORMATION

Internet:
www.tycoelectronics.com

E-mail: newproducts@
tycoelectronics.com

USA: 1-800-522-6752
Canada: 1-905-470-4425
Mexico: 01-800-733-8926
C. America: 52-55-1106-0803
South America: 55-11-2103-6000
Hong Kong: 852-2735-1628
Japan: 81-44-844-8013
UK: 44-208-420-8341

RoHS
Ready 

 **Tyco Electronics**

Our commitment. Your advantage.

ELECTRICAL

- Meets TIA/EIA-56-B.2 Category 5 requirements

MATERIALS

- UV resistant and UL 94V-0 housing material

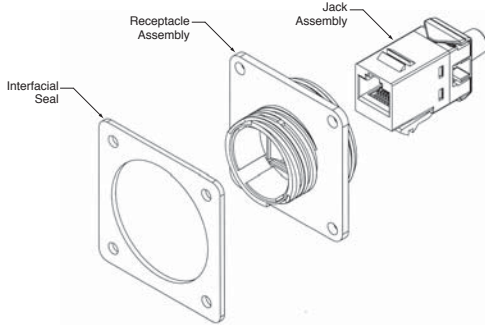
MECHANICAL

- Positive lock coupling ring
- Polarized for proper mating between connector halves

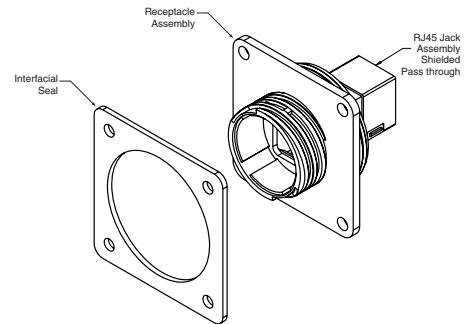
- Operating temperature: -55°C to +105°C [-67°F to +221°F]

PRODUCT DIMENSIONS & PRODUCT OFFERING

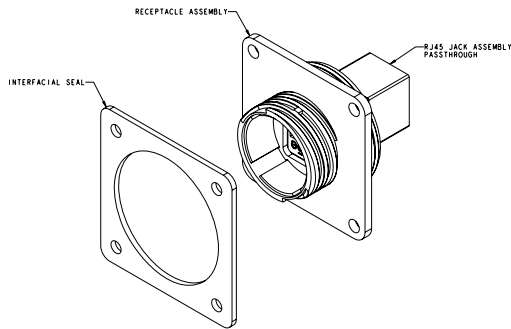
Receptacle Kit, Wire Terminated, Unshielded – Part No. 1546877-1



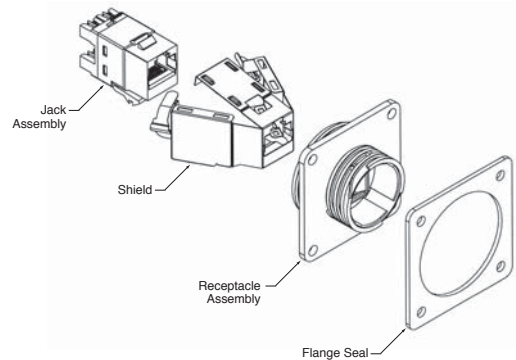
Receptacle Kit, Shielded Pass-through RJ45/RJ45 – Part No. 1986172-1



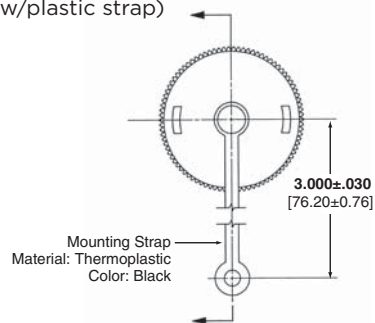
Receptacle Kit, Pass-through RJ45/RJ45 – Part No. 1776186-1



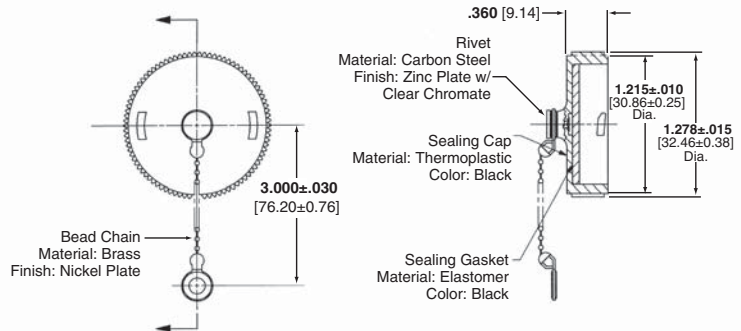
Receptacle Kit, Wire Terminated, Shielded – Part No. 1546908-1



Receptacle Sealing Caps
Part No. 207445-1 (w/plastic strap)



Part No. 208652-1 (w/beaded chain)

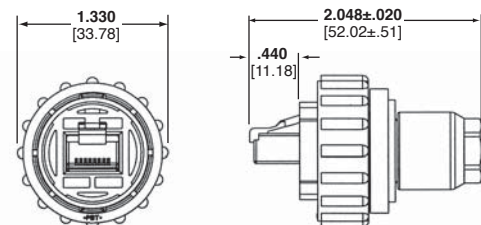


Plug Kit, Unshielded –

Solid Wire, Part No. 1546876-1
Stranded Wire, Part No. 1546876-2

Plug Kit, Shielded –

Solid Wire, Part No. 1546907-1
Stranded Wire, Part No. 1546907-2



X-ON Electronics

Largest Supplier of Electrical and Electronic Components

Click to view similar products for [Modular Connectors / Ethernet Connectors](#) category:

Click to view products by [TE Connectivity](#) manufacturer:

Other Similar products are found below :

[8949-H88/06BLKA/SN](#) [74441-0010/BKN](#) [MP1010RX-1000](#) [MP44RX-1000](#) [PHJ-4P4C-1-V-4](#) [PHP-6P6C-5](#) [GAX-3-66](#) [GAX-8-62](#) [GDCX-PA-66-50](#) [GDCX-PN-64](#) [GDCX-PN-66](#) [GDCX-PN-66-50](#) [GDLX-A-66](#) [GDLX-N-66](#) [GDLX-S-66](#) [GDLX-S-88K](#) [GDTX-S-88-50](#) [GDX-PA-1010](#) [GLX-N-1010M-BLK](#) [GLX-S-88M-BLK](#) [GMX-N-1010](#) [GMX-S-1010](#) [GMX-S-66](#) [GMX-SMT4-N-88](#) [GPX-2-64](#) [GSGX-N-2-88](#) [GSGX-N-4-88](#) [GSX-NS2-88-3.05](#) [GSX-NS2-88-3.05-50](#) [GSX-NS-88-3.05-50](#) [PT-108A-8C-UL](#) [PT-J951-8C](#) [PTS-J531-8CS-50UL](#) [1-1775629-2](#) [A-2014-0-4](#) [GWLX-S-88-GR](#) [GWLX-S9-88-YG](#) [DC-1021-8-WH-6](#) [1300530003](#) [1324640-4](#) [RJ11FTVC2G](#) [RJ11FTVC2N](#) [RJFTVX2SA1G](#) [132764-001](#) [1413235](#) [MP88X-1000](#) [MPS88RX-5000](#) [E5288-S000K3-L](#) [E5908-15A242-L](#) [155302-001](#)