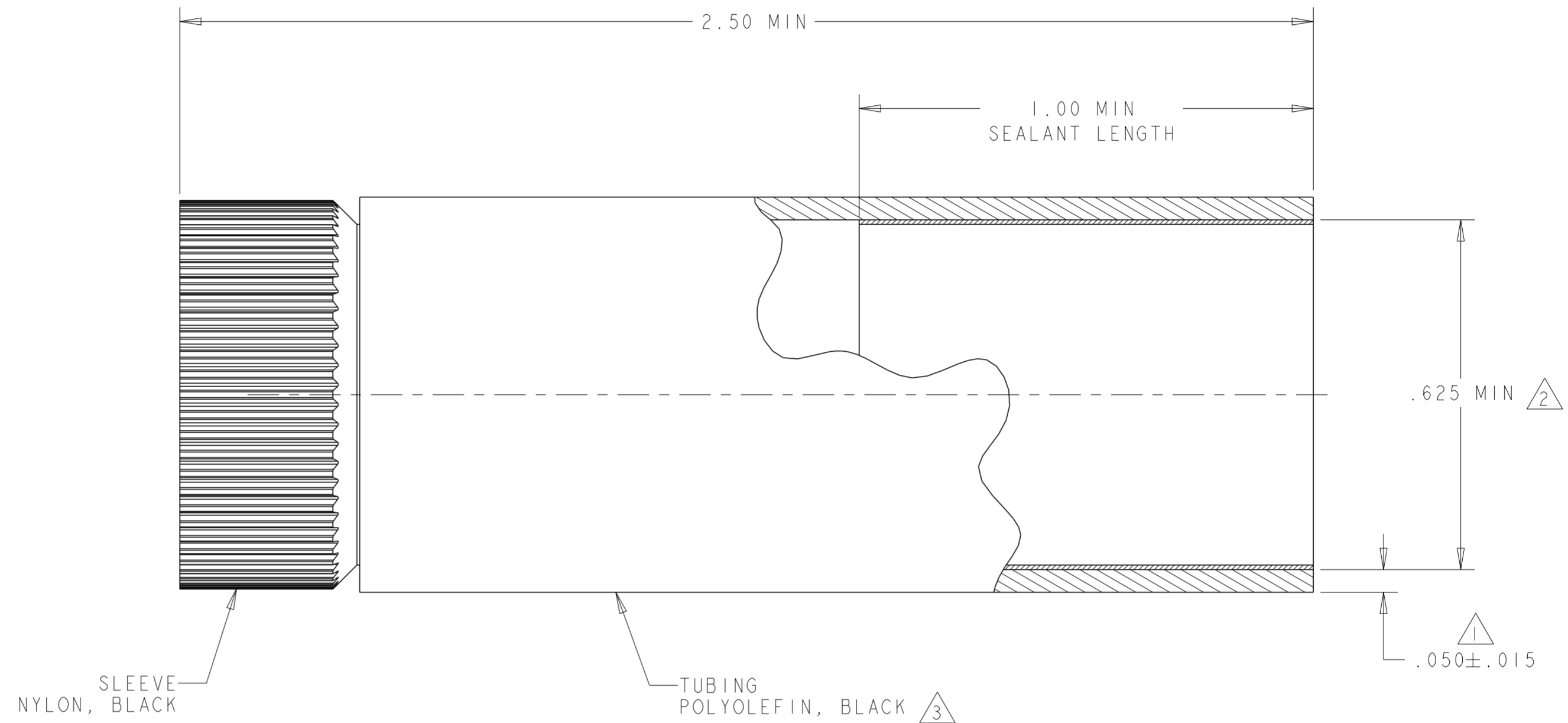
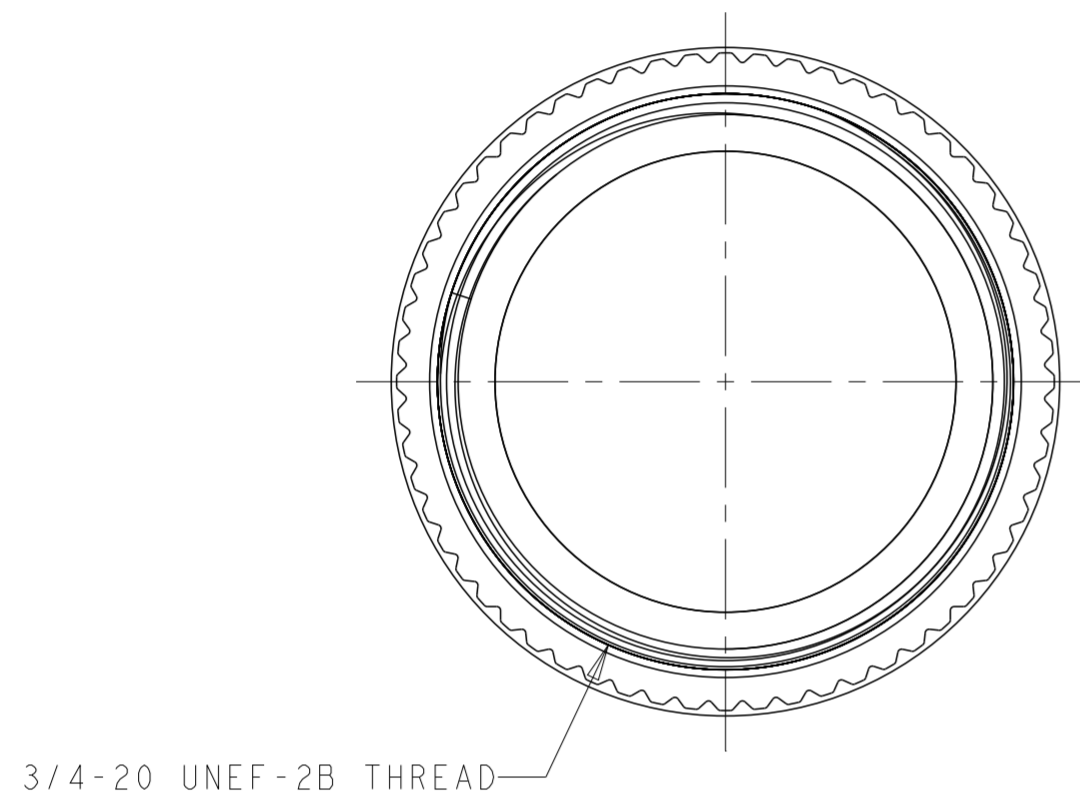


THIS DRAWING IS UNPUBLISHED. RELEASED FOR PUBLICATION 20
 © COPYRIGHT 20 BY - ALL RIGHTS RESERVED.

REVISIONS				
P	LTR	DESCRIPTION	DATE	APVD
0		RELEASED	12JAN2004	SW HW
A		REVISED PER ECO-18-008968	11JUN2018	RS MZ



- 1 NOMINAL WALL THICKNESS, EXPANDED.
- 2 EXPANDED INSIDE DIAMETER.
- 3 .250 MAXIMUM RECOVERED INSIDE DIAMETER.
- 4. ASSEMBLY WILL PASS ONE POUND PER SQ INCH WATER PRESSURE TEST.
- 5. TUBING SHRINK TEMPERATURE: 250°F.
- 6. OPERATING TEMPERATURE: -67°F TO 230°F.
- 7. THIS PART WILL ACCOMODATE Ø.250-Ø.600 CABLE RANGE.

1546921-1
 PART NUMBER

THIS DRAWING IS A CONTROLLED DOCUMENT.		DWN S. WELDON 12JAN2004	STE TE Connectivity	
DIMENSIONS: INCHES		CHK H. WAKEEM 12JAN2004		
TOLERANCES UNLESS OTHERWISE SPECIFIED:		APVD H. WAKEEM 12JAN2004	NAME STRAIN RELIEF ASSEMBLY, SIZE 11, MINI CPC	
0 PLC ±		PRODUCT SPEC -	SIZE CAGE CODE DRAWING NO RESTRICTED TO	
1 PLC ±0.1		APPLICATION SPEC -	A200779C-1546921	
2 PLC ±0.02		WEIGHT -	SCALE 4:1 SHEET OF REV A	
3 PLC ±0.005		CUSTOMER DRAWING		
4 PLC ±0.000				
ANGLES ±				
FINISH -				

X-ON Electronics

Largest Supplier of Electrical and Electronic Components

Click to view similar products for [Standard Circular Connector](#) category:

Click to view products by [TE Connectivity](#) manufacturer:

Other Similar products are found below :

[5M2530B10P](#) [600259N006](#) [600273N007](#) [6134-336-13149](#) [6134-337-11149](#) [6134-337-2390](#) [6134-341-17149](#) [6280-4SG-516](#) [6280-7SG-3DC](#)
[6290](#) [6291A](#) [66200A-10](#) [680-SMG](#) [681-PMG](#) [CXS3102A14S2P](#) [CXS3102A181S](#) [7271-6SG-300](#) [7282-3PG-300-CH3](#) [75-474618-01S](#) [75-](#)
[474618-04P](#) [75-474618-04S](#) [799539-000](#) [MI8-SE](#) [805-005-07NF11-19PC](#) [805-005-07NF15-7PA](#) [8280-4PG-516](#) [8280-7PG-519](#) [8282-5PG-](#)
[519](#) [836783-1](#) [MP-4102-25P-C](#) [862256-1](#) [864019-2](#) [866857-1](#) [867865-1](#) [PT01SP-14-18P](#) [PT08P-14-5S](#) [120-1833-000](#)
[QCM019PC2DC012B](#) [1-2069279-1](#) [121583-0217](#) [121667-0020](#) [129591AU](#) [1000B BULK](#) [RD10A16-19-P6CS051/1](#) [RD10A20-31-](#)
[P8CS051/1](#) [RD16A14-12-S6CS051/2](#) [1301240290](#) [1301240347](#) [1301860202](#) [1301240268](#) [1301240275](#)