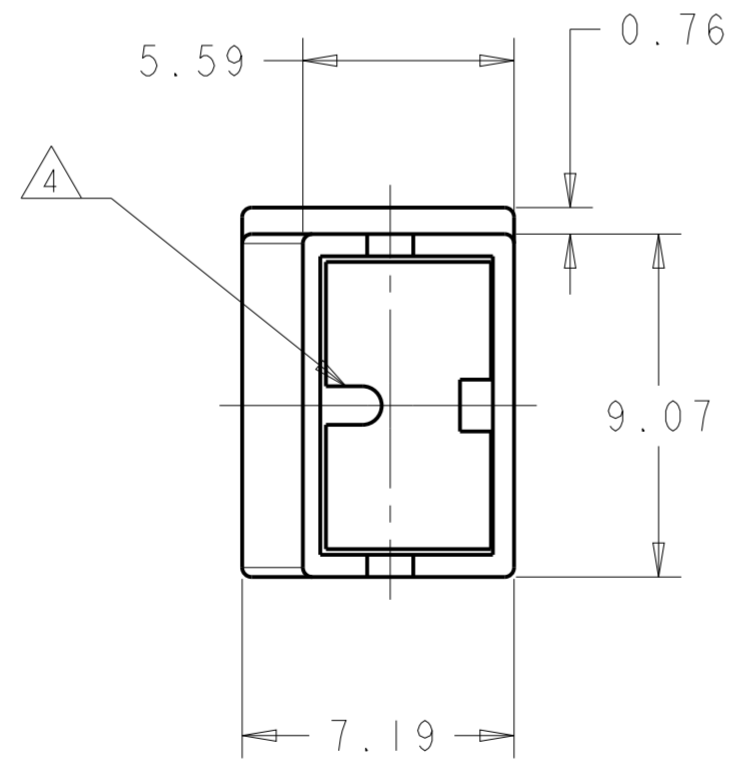
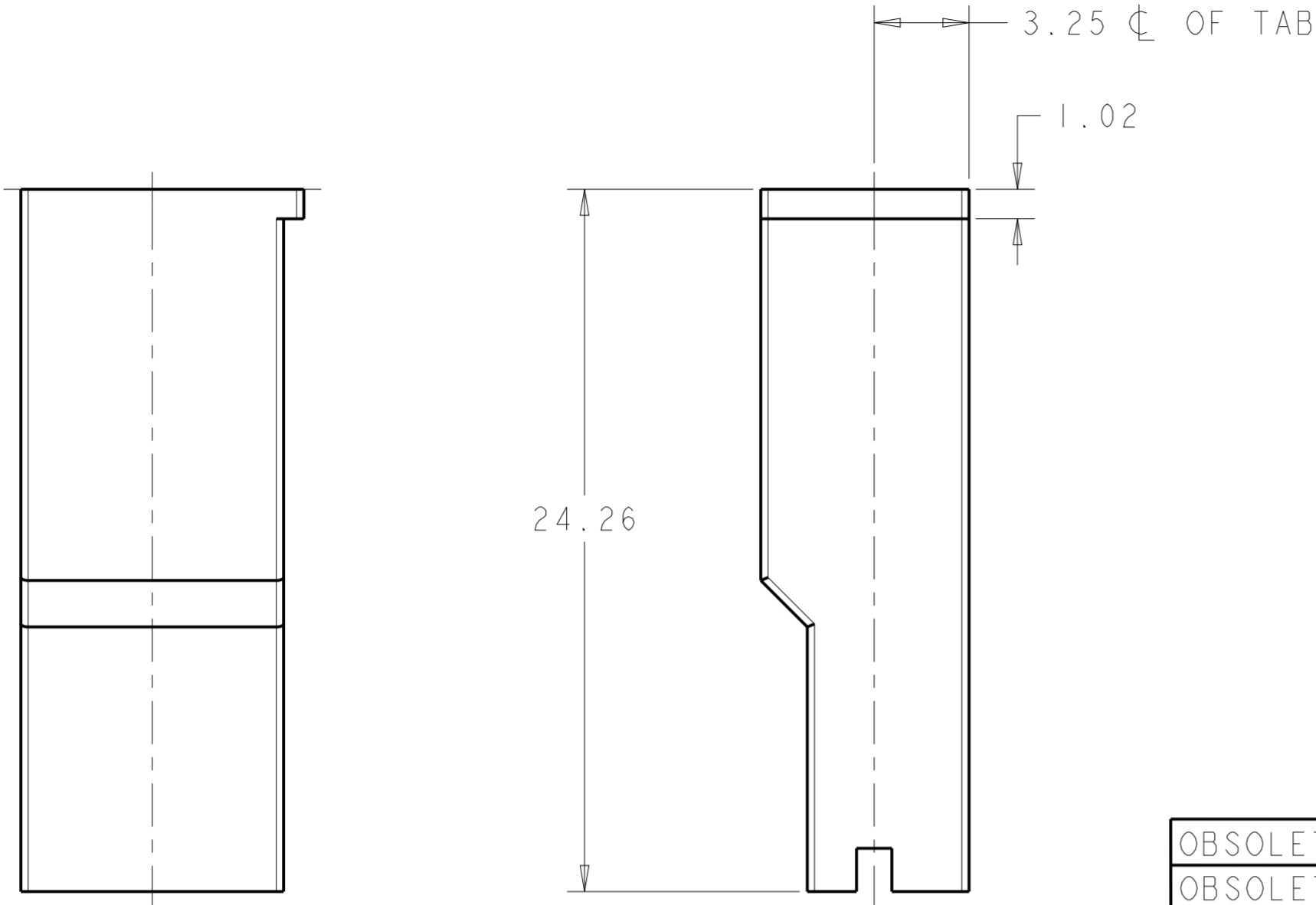


THIS DRAWING IS UNPUBLISHED. RELEASED FOR PUBLICATION 20  
 © COPYRIGHT 20 y ALL RIGHTS RESERVED.

| LOC | DIST | REVISIONS |     |                           |           |     |      |
|-----|------|-----------|-----|---------------------------|-----------|-----|------|
| IR  | -    | P         | LTR | DESCRIPTION               | DATE      | DWN | APVD |
|     |      | AV5       |     | REVISED PER ECR-16-016851 | 28NOV2016 | HG  | TD   |
|     |      | AV6       |     | REVISED PER ECR-19-012306 | 24MAR2020 | SS  | DL   |
|     |      | AV7       |     | REVISED PER ECR-21-101990 | 19APR2021 | SS  | EW   |



NOTES:

- ① PA66 NATURAL MATERIAL ACC TO SPEC IEC 60335-1 GWT 750° WITHOUT FLAME
- ② MOISTURISED PRODUCT FOR SMALL WIRE APPLICATIONS
- ③ ONLY FOR USE WITH POST PLATED OR WASHED CONTACTS
- ④ RIB IS EXTEND TO FRONT OF HOUSING FOR BRAZIL PRODUCTION
- ⑤ USING EQUIVALENT ALTERNATE MATERIAL
- ⑥ OBSOLETE PART
- 7 INTERNAL FLASH INSIDE CAVITY (THIN AND FLEXIBLE THAT DO NOT COME OFF) ACCEPTABLE UP TO 0.15 mm. EXTERNAL FLASH ACCEPTABLE UP TO 0.4 mm

|          |     |                       |               |                     |                      |                   |
|----------|-----|-----------------------|---------------|---------------------|----------------------|-------------------|
| OBSOLETE | ②   | <del>8-154719-6</del> | As Drg        | UL 94 V0            | PA 66                | Orange            |
| OBSOLETE | ② ⑥ | <del>8-154719-5</del> | As Drg        | UL 94 V2            | PA 6/6 or Equivalent | Natural           |
| OBSOLETE | ①   | <del>8-154719-4</del> | As Drg        | UL 94 V0            | PA 66                | Natural           |
|          |     | 8-154719-3            | As Drg.       | UL 94 V0            | PA 66/6              | Terracotta        |
| OBSOLETE | ②   | <del>8-154719-1</del> | As Drg.       | UL 94 V2            | PA 6/6 or Equivalent | Black             |
|          |     | 8-154719-0            | As drg.       | UL 94 V0            | PA 6/6 or Equivalent | Clear             |
|          |     | 7-154719-0            | AE            | UL 94 V0            | PA 66                | Orange (Ral 2000) |
|          |     | 6-154719-6            | AB            | UL 94 V2            | PBT                  | Black             |
|          |     | 5-154719-0            | AB            | UL 94 V0            | PPE+PS               | Orange            |
|          |     | 4-154719-0            | AA            | UL 94 V0            | PA 66                | (Bk-59 Black)     |
|          | ③   | 2-154719-0            | AA            | UL 94 V0            | PPE+PS               | Red               |
|          | ⑤   | 1-154719-1            | As Drg.       | UL 94 V0            | PA 6/6 or Equivalent | Natural           |
|          |     | 1-154719-0            | AE            | UL 94 V0            | PA 6/6 or Equivalent | Natural           |
|          |     | 154719-9              | As Drg.       | UL 94 V2            | PA 6/6 or Equivalent | Brown             |
|          |     | 154719-6              | As Drg.       | UL 94 V2            | PA 6/6 or Equivalent | Blue              |
|          |     | 154719-5              | As Drg.       | UL 94 V2            | PA 6/6 or Equivalent | Green             |
|          |     | 154719-4              | As Drg.       | UL 94 V2            | PA 6/6 or Equivalent | Yellow            |
|          |     | 154719-2              | As Drg.       | UL 94 V2            | PA 6/6 or Equivalent | Red               |
|          |     | 154719-1              | As Drg.       | UL 94 V2            | PA 6/6 or Equivalent | Natural           |
|          |     | 154719                | As. Drg.      | UL 94 V2            | PA 6/6 or Equivalent | Black             |
| Notes    |     | Part Number           | Part Revision | Flammability Rating | Material             | Colour            |

THIS DRAWING IS A CONTROLLED DOCUMENT.

DWN: A. J. BEKEN 09MAY2002  
 CHK: S. CLAPPISON 09MAY2002  
 APVD: S. CLAPPISON 09MAY2002

STE TE Connectivity

PRODUCT SPEC: 108-3252  
 APPLICATION SPEC: 114-2153

NAME: POSITIVE LOCK RECEPTACLE INSULATOR

SIZE: A2 CAGE CODE: 00779 DRAWING NO: C-154719

WEIGHT: 0.5g

Customer Drawing SCALE: 5:1 SHEET 1 OF 1 REV: AV7

## X-ON Electronics

Largest Supplier of Electrical and Electronic Components

*Click to view similar products for [Automotive Connectors](#) category:*

*Click to view products by [TE Connectivity](#) manufacturer:*

Other Similar products are found below :

[003-018-000](#) [60403001](#) [60993906-B](#) [M902-2131](#) [M902-2161](#) [72.330.1035.1](#) [73.353.4028.0](#) [F119300-B](#) [F166900](#) [F258300-B](#) [F358300-B](#)  
[F407400](#) [F444110](#) [F487000](#) [F509500B-B](#) [827153-1](#) [8N1515-32-24P](#) [9-1326729-8](#) [925474-1](#) [928905-1](#) [964562-4](#) [968782-1](#) [GT17SA-8DS-](#)  
[HU](#) [98891-1012](#) [98947-1016](#) [12004147](#) [12004475-L](#) [12010290](#) [12010309-B](#) [12015454](#) [12020219-B](#) [12020308](#) [12041318-B](#) [12052225-L](#)  
[12052466](#) [12059125](#) [12064869](#) [12004327-B](#) [12010503-B](#) [12015308](#) [12015384](#) [12015909](#) [1-21030-1](#) [12041254](#) [12041318](#) [12047946-B](#)  
[12047957](#) [12047957-L](#) [12059473](#) [12066261](#)