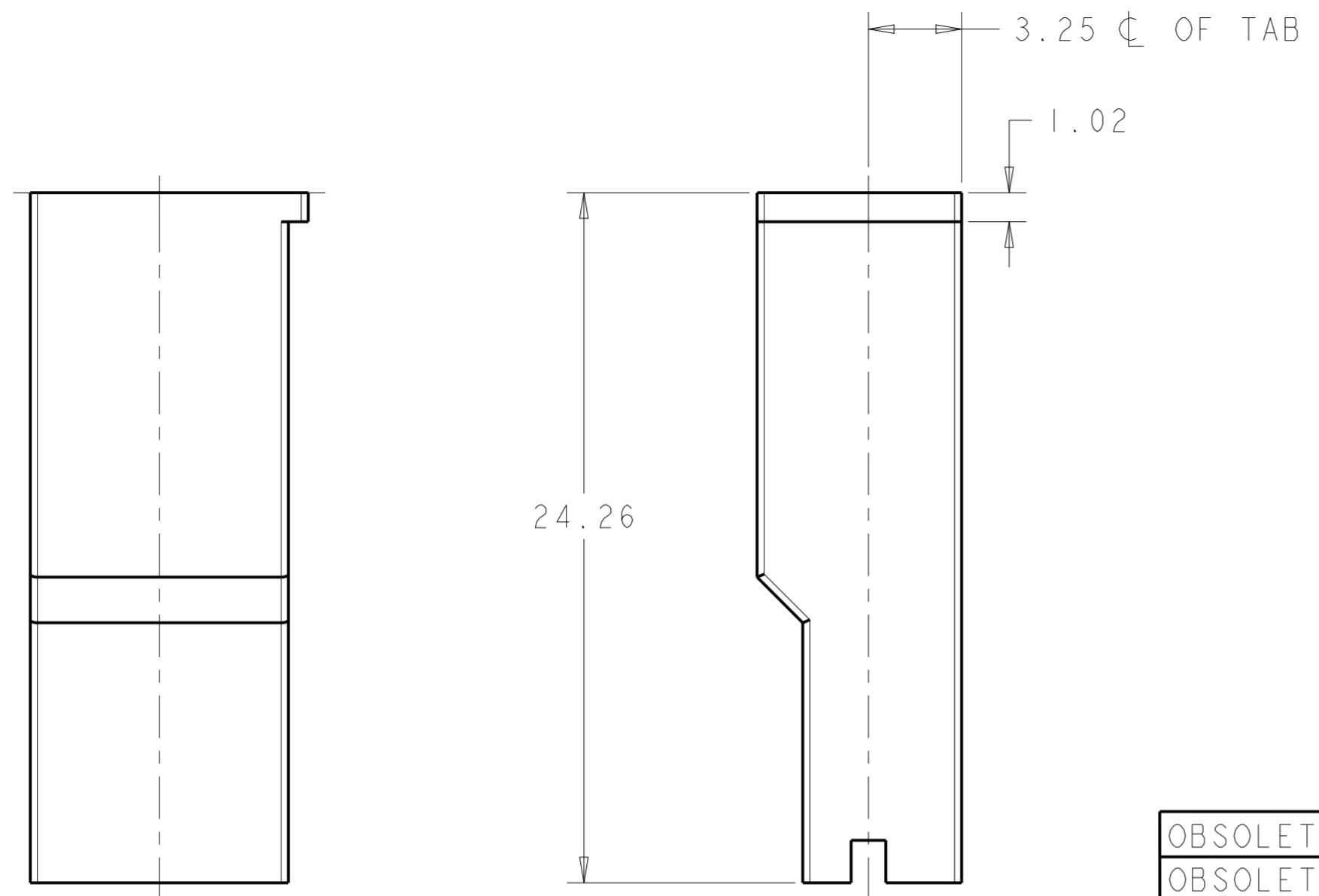


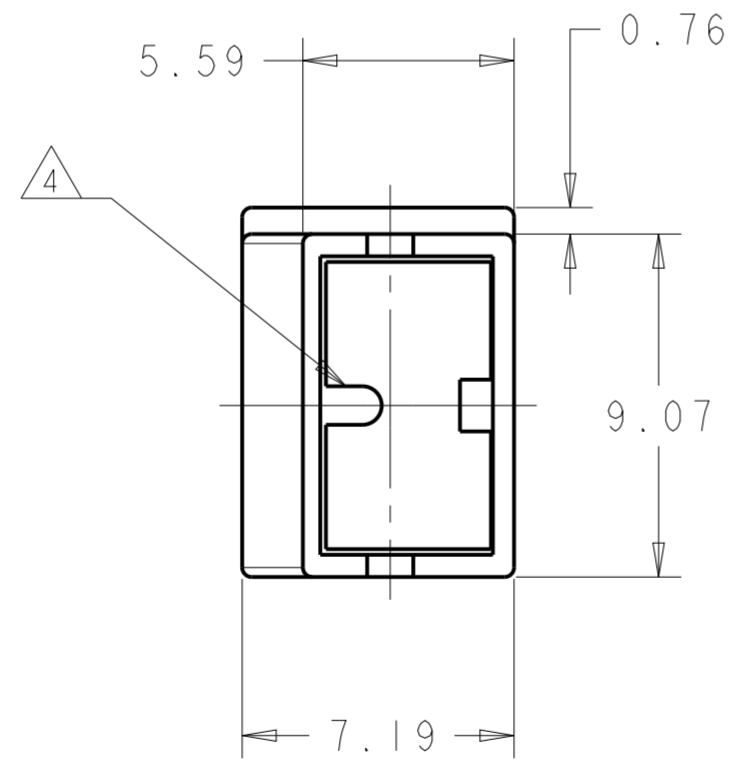
THIS DRAWING IS UNPUBLISHED. RELEASED FOR PUBLICATION 20
 © COPYRIGHT 20 y ALL RIGHTS RESERVED.

LOC	DIST	REVISIONS					
		P	LTR	DESCRIPTION	DATE	DWN	APVD
IR	-			AV5 REVISED PER ECR-16-016851	28NOV2016	HG	TD
				AV6 REVISED PER ECR-19-012306	24MAR2020	SS	DL
				AV7 REVISED PER ECR-21-101990	19APR2021	SS	EW



NOTES:

- ① PA66 NATURAL MATERIAL ACC TO SPEC IEC 60335-1 GWT 750° WITHOUT FLAME
- ② MOISTURISED PRODUCT FOR SMALL WIRE APPLICATIONS
- ③ ONLY FOR USE WITH POST PLATED OR WASHED CONTACTS
- ④ RIB IS EXTEND TO FRONT OF HOUSING FOR BRAZIL PRODUCTION
- ⑤ USING EQUIVALENT ALTERNATE MATERIAL
- ⑥ OBSOLETE PART
- 7 INTERNAL FLASH INSIDE CAVITY (THIN AND FLEXIBLE THAT DO NOT COME OFF) ACCEPTABLE UP TO 0.15 mm. EXTERNAL FLASH ACCEPTABLE UP TO 0.4 mm



OBSOLETE	②	8-154719-6	As Drg	UL 94 V0	PA 66	Orange
OBSOLETE	② ⑥	8-154719-5	As Drg	UL 94 V2	PA 6/6 or Equivalent	Natural
OBSOLETE	①	8-154719-4	As Drg	UL 94 V0	PA 66	Natural
		8-154719-3	As Drg.	UL 94 V0	PA 66/6	Terracotta
OBSOLETE	②	8-154719-1	As Drg.	UL 94 V2	PA 6/6 or Equivalent	Black
		8-154719-0	As drg.	UL 94 V0	PA 6/6 or Equivalent	Clear
		7-154719-0	AE	UL 94 V0	PA 66	Orange (Ral 2000)
		6-154719-6	AB	UL 94 V2	PBT	Black
		5-154719-0	AB	UL 94 V0	PPE+PS	Orange
		4-154719-0	AA	UL 94 V0	PA 66	(Bk-59 Black)
	③	2-154719-0	AA	UL 94 V0	PPE+PS	Red
	⑤	1-154719-1	As Drg.	UL 94 V0	PA 6/6 or Equivalent	Natural
		1-154719-0	AE	UL 94 V0	PA 6/6 or Equivalent	Natural
		154719-9	As Drg.	UL 94 V2	PA 6/6 or Equivalent	Brown
		154719-6	As Drg.	UL 94 V2	PA 6/6 or Equivalent	Blue
		154719-5	As Drg.	UL 94 V2	PA 6/6 or Equivalent	Green
		154719-4	As Drg.	UL 94 V2	PA 6/6 or Equivalent	Yellow
		154719-2	As Drg.	UL 94 V2	PA 6/6 or Equivalent	Red
		154719-1	As Drg.	UL 94 V2	PA 6/6 or Equivalent	Natural
		154719	As. Drg.	UL 94 V2	PA 6/6 or Equivalent	Black
Notes		Part Number	Part Revision	Flammability Rating	Material	Colour

THIS DRAWING IS A CONTROLLED DOCUMENT.

DWN: A. J. BEKEN 09MAY2002
 CHK: S. CLAPPISON 09MAY2002
 APVD: S. CLAPPISON 09MAY2002

PRODUCT SPEC: 108-3252
 APPLICATION SPEC: 114-2153

WEIGHT: 0.5g

Customer Drawing

SCALE: 5:1 SHEET 1 OF 1 REV: AV7

STE TE Connectivity

POSITIVE LOCK RECEPTACLE INSULATOR

SIZE: A2 CAGE CODE: 00779 DRAWING NO: C-154719

X-ON Electronics

Largest Supplier of Electrical and Electronic Components

Click to view similar products for [Automotive Connectors](#) category:

Click to view products by [TE Connectivity](#) manufacturer:

Other Similar products are found below :

[003-018-000](#) [60403001](#) [60993906-B](#) [M902-2131](#) [M902-2161](#) [M902-2344](#) [72.330.1035.1](#) [73.353.4028.0](#) [F119300-B](#) [F166900](#) [F258300-B](#)
[F358300-B](#) [F407400](#) [F444110](#) [F487000](#) [F509500B-B](#) [827153-1](#) [8N1515-32-24P](#) [9-1326729-8](#) [925474-1](#) [928905-1](#) [964562-4](#) [968782-1](#)
[GT17SA-8DS-HU](#) [98891-1012](#) [98947-1016](#) [12004147](#) [12004475-L](#) [12010290](#) [12015454](#) [12020219-B](#) [12041318-B](#) [12052225-L](#) [12052466](#)
[12064869](#) [12004327-B](#) [12015308](#) [12015384](#) [12015909](#) [1-21030-1](#) [12041254](#) [12041318](#) [12047946-B](#) [12047957](#) [12047957-L](#) [12059473](#)
[12066261](#) [12110546](#) [12110546-B](#) [12131792](#)