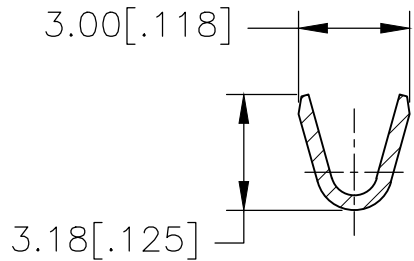
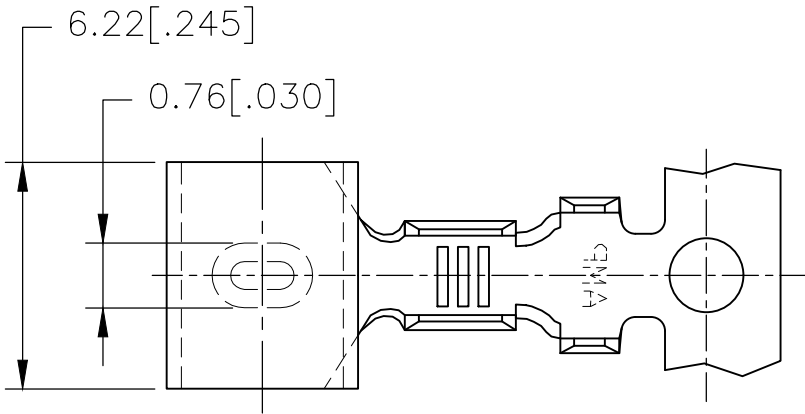
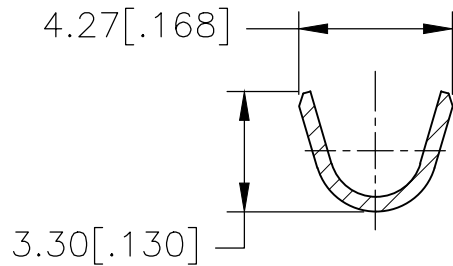
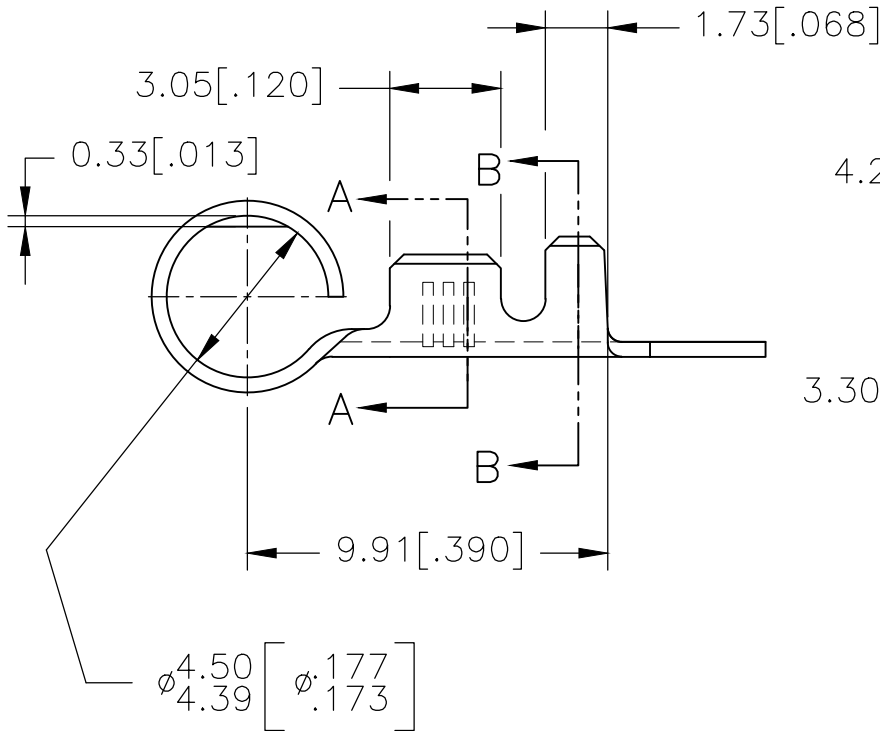


| REVISIONS | | | | | |
|-----------|-----|---------------------------|-----------|-----|------|
| P | LTR | DESCRIPTION | DATE | DWN | APVD |
| | A1 | REVISED PER ECR-18-002683 | 23FEB2018 | FV | TD |



SECTION A-A



SECTION B-B

THIS DRAWING IS UNPUBLISHED. ALL RIGHTS RESERVED. RELEASED FOR PUBLICATION

| | | |
|------------|----------------------|--|
| STOCK THK. | 0.41 [.016] THK. | |
| WIRE RANGE | INSUL RANGE | |
| 20-16 | 1.5-2.13 [.059-.084] | |

| | | |
|-----------|--------------|-------------|
| TIN PLATE | PHOS. BRONZE | 154740-2 |
| NONE | PHOS. BRONZE | 154740-1 |
| FINISH | MATERIAL | PART NUMBER |

| | | | |
|---|------------------|----------|-----------|
| DIMENSIONS: mm [INCHES] | DWN | RAVI S | 04JAN2017 |
| | CHK | LI DAISY | 04JAN2017 |
| TOLERANCES UNLESS OTHERWISE SPECIFIED: | APVD | DING TIM | 04JAN2017 |
| | PRODUCT SPEC | - | |
| 0 PLC ± - 1 PLC ± - 2 PLC ± 0.40 [.015] 3 PLC ± 0.40 [.015] 4 PLC ± - ANGLES ± - | APPLICATION SPEC | - | |
| | WEIGHT | - | |

| | | | |
|------------------|-----------|---|---------------|
| MATERIAL | SEE TABLE | FINISH | SEE TABLE |
| | | TE Connectivity | |
| | | NAME .177 (4.50) DIA. RIGHT ANGLE PIN RECEPTACLE | |
| SIZE | A4 | CAGE CODE | 00779 |
| DRAWING NO | C-154740 | | RESTRICTED TO |
| CUSTOMER DRAWING | | | SCALE 4:1 |
| SHEET 1 OF 1 | | REV A1 | |

X-ON Electronics

Largest Supplier of Electrical and Electronic Components

Click to view similar products for [Terminals](#) category:

Click to view products by [TE Connectivity](#) manufacturer:

Other Similar products are found below :

[00-054007-01074-6](#) [00-054007-70206-1](#) [00-054007-70210-8](#) [00-054007-70217-7](#) [00-054007-70226-9](#) [00-054007-70228-3](#) [00-054007-70248-1](#) [00-054007-70256-6](#) [00-054007-70301-3](#) [00-054007-70316-7](#) [0-0320562-0](#) [00-054007-49560-4](#) [00-054007-70209-2](#) [00-054007-70225-2](#) [00-054007-70227-6](#) [00-054007-70231-3](#) [00-054007-70241-2](#) [00-054007-70242-9](#) [00-054007-70244-3](#) [00-054007-70246-7](#) [00-054007-70263-4](#) [00-054007-70288-7](#) [00-054007-70290-0](#) [00-054007-70300-6](#) [00-054007-70304-4](#) [01-2065-1-0216](#) [01-2900-1-04412](#) [00581P0075](#) [600TS-10](#) [60205-1](#) [604200-1](#) [605601-1](#) [60598-1-CUT-TAPE](#) [61314-6-C](#) [61810-3](#) [61-S](#) [61-SN](#) [626-0194](#) [62-NBM-A](#) [62-SN](#) [62-SP](#) [63-S](#) [640179-1](#) [M55155/059I03](#) [M55155/079C01](#) [M55155/099H02](#) [M55155/109H01](#) [M55155/109H02](#) [M55155/12XH05](#) [M55155/16XH02](#)