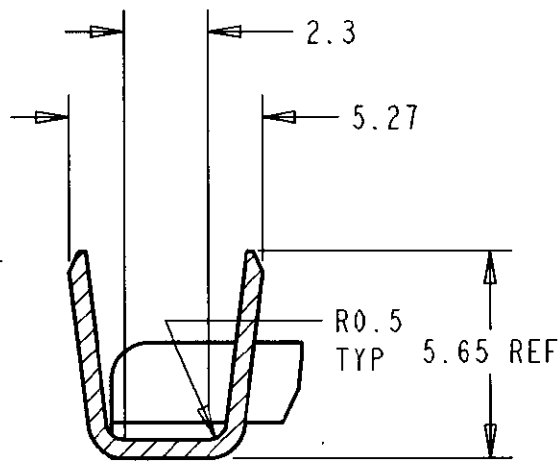
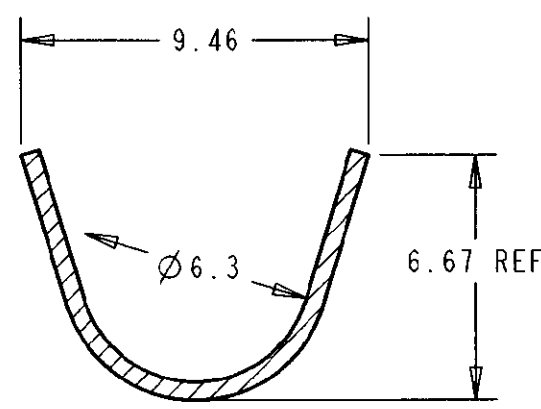
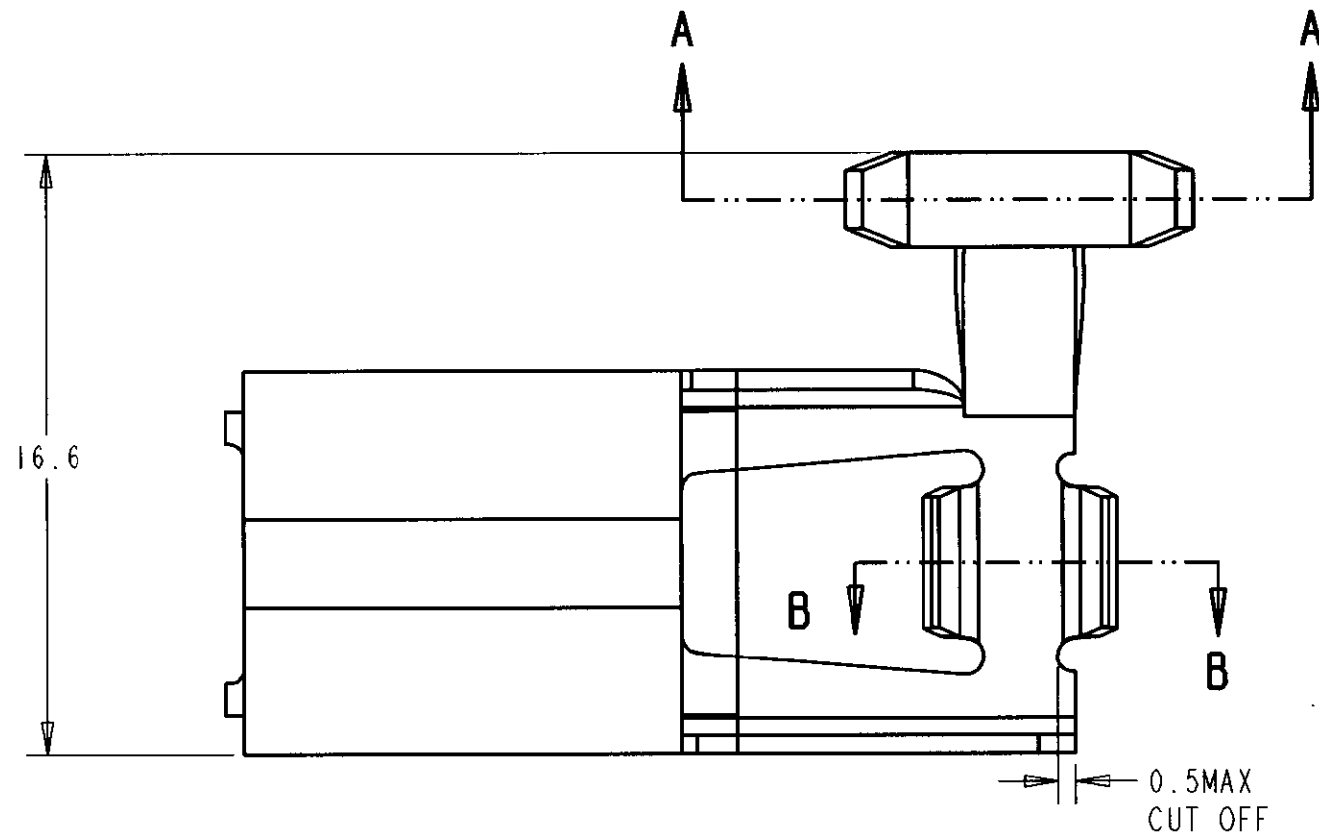
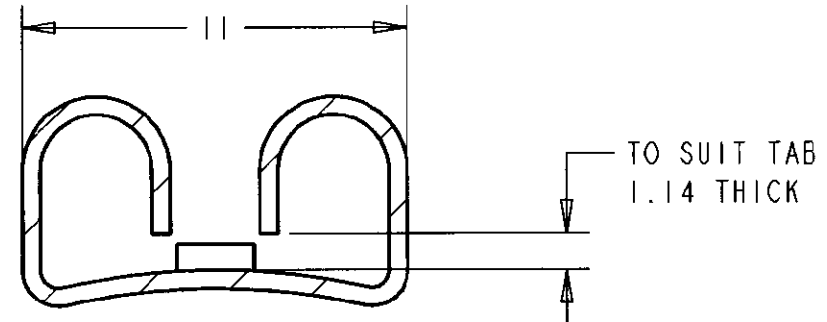


LOC		REVISIONS				
P	LTR	DESCRIPTION	DATE	DWN	APVD	
	M	EB00-0679-99	23-12-99	DRT	FWK	

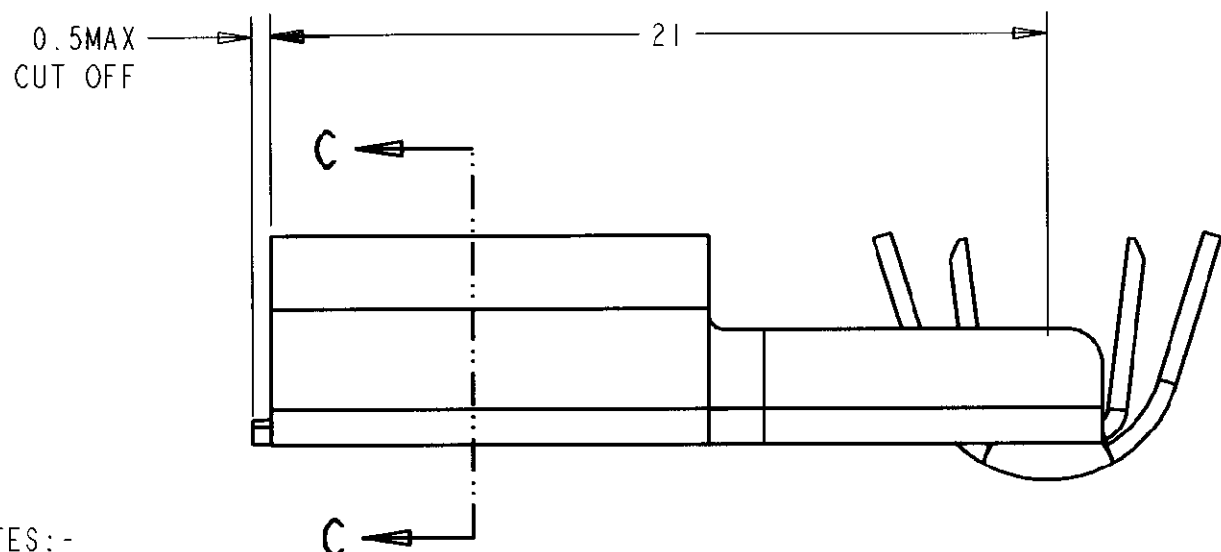


SECTION A-A
SCALE 5:1

SECTION B-B
SCALE 5:1



SECTION C-C
SCALE 5:1



REV.	REEL OF	FINISH	MATERIAL	PART NUMBER
	-2	ELECTRO TIN	BRASS	154897-8
	-1	NONE	BRASS	154897-7
	151791-5	ELECTRO TIN	PHOS. BRONZE	154897-5
	151791-4	SILVER	PHOS. BRONZE	154897-4
	151791-3	NONE	PHOS. BRONZE	154897-3
	151791-2	ELECTRO TIN	BRASS	154897-2
	151791-1	NONE	BRASS	154897-1
	LOOSE PIECE	FINISH	MATERIAL	PART NUMBER

NOTES:-

INSULATION RANGE	LOG No
WITH 'F' CRIMP 3.42-4.88	576016-3
WITH 'O' CRIMP 4.87-5.94	576016-4

- SEE LOG SHEET FOR CRIMP WIDTH AND HEIGHT.
- WIRE RANGE 3-6mm².

THIS DRAWING IS A CONTROLLED DOCUMENT FOR AMP INCORPORATED. IT IS SUBJECT TO CHANGE AND THE CONTROLLING ENGINEERING ORGANIZATION SHOULD BE CONTACTED FOR THE LATEST REVISION.

DWN D.R. TERRY 23-Dec-99
CHK M. HUGHES 23-Dec-99
APVD FWK 23-Dec-99

AMP of Great Britain Ltd, Stanmore, Middlesex, HA7 4RS.

AMP

NAME: .375 SERIES FLAG FASTON RECEPTACLE

SIZE: A3 CAGE CODE: 00779 DRAWING NO: C-154897

MATERIAL: SEE LIST FINISH: SEE LIST

CUSTOMER DRAWING SCALE: 5:1 SHEET: 1 OF 1 REV: M

X-ON Electronics

Largest Supplier of Electrical and Electronic Components

Click to view similar products for [Terminals](#) category:

Click to view products by [TE Connectivity](#) manufacturer:

Other Similar products are found below :

[00-054007-01074-6](#) [00-054007-70206-1](#) [00-054007-70210-8](#) [00-054007-70217-7](#) [00-054007-70226-9](#) [00-054007-70228-3](#) [00-054007-70248-1](#) [00-054007-70256-6](#) [00-054007-70301-3](#) [00-054007-70316-7](#) [00-054007-49560-4](#) [00-054007-70209-2](#) [00-054007-70225-2](#) [00-054007-70227-6](#) [00-054007-70231-3](#) [00-054007-70241-2](#) [00-054007-70242-9](#) [00-054007-70244-3](#) [00-054007-70246-7](#) [00-054007-70263-4](#) [00-054007-70288-7](#) [00-054007-70290-0](#) [00-054007-70300-6](#) [00-054007-70304-4](#) [01-2065-1-0216](#) [01-2900-1-04412](#) [00581P0075](#) [600TS-10](#) [60205-1](#) [604200-1](#) [605601-1](#) [60598-1-CUT-TAPE](#) [61314-6-C](#) [61810-3](#) [61-S](#) [61-SN](#) [626-0194](#) [62-NBM-A](#) [62-SN](#) [62-SP](#) [63-S](#) [640179-1](#) [M55155/059I03](#) [M55155/079C01](#) [M55155/099H02](#) [M55155/109H01](#) [M55155/109H02](#) [M55155/12XH05](#) [M55155/16XH02](#) [M55155/29-5S](#)