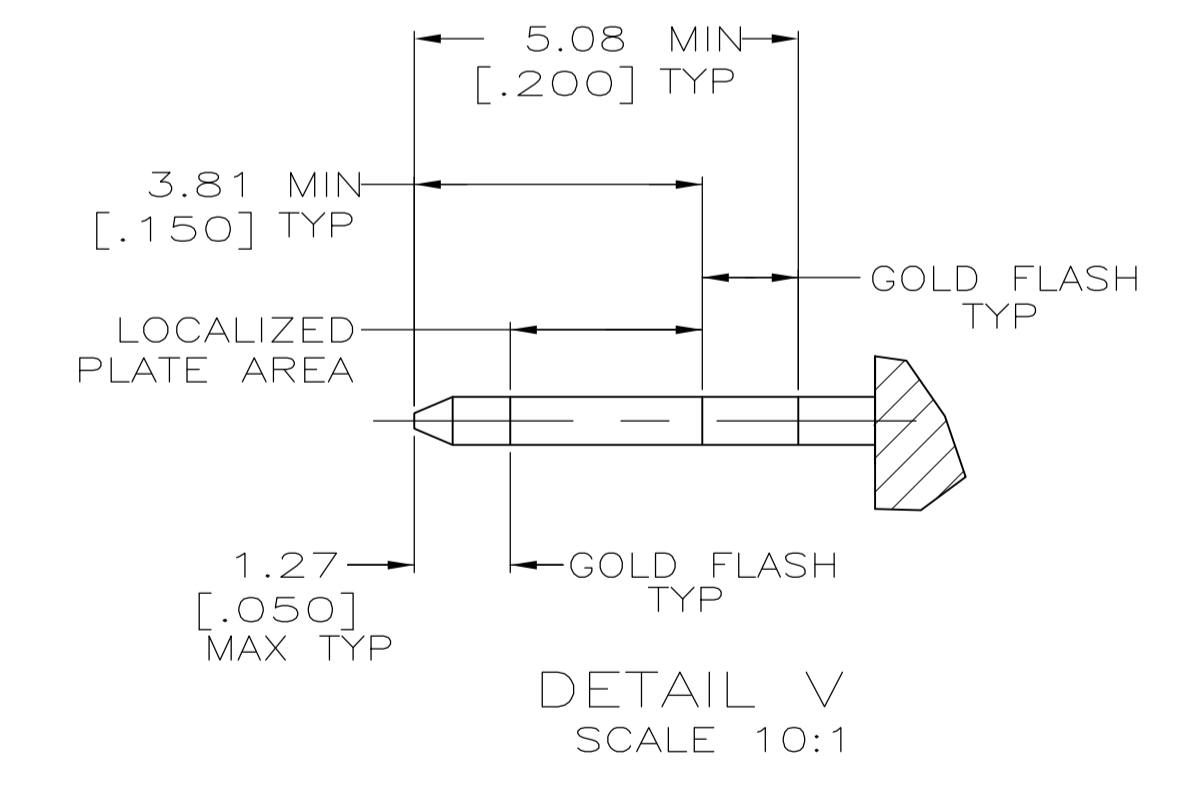
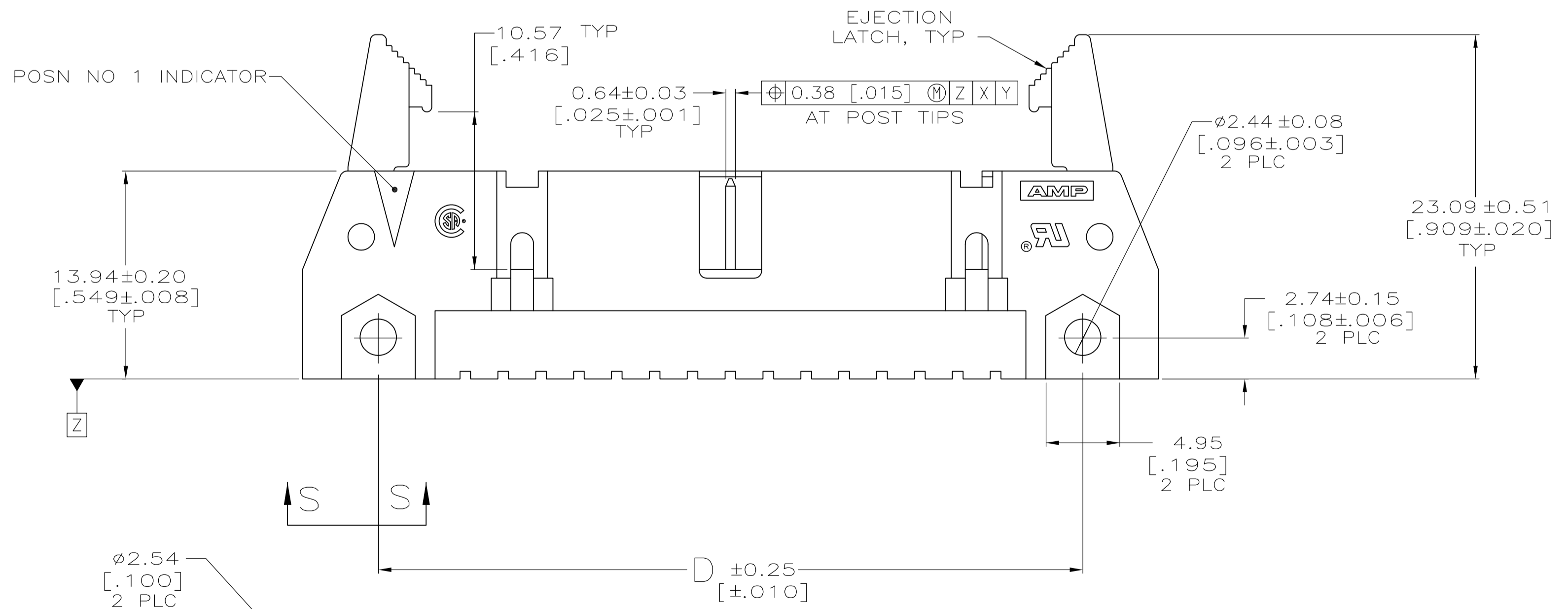
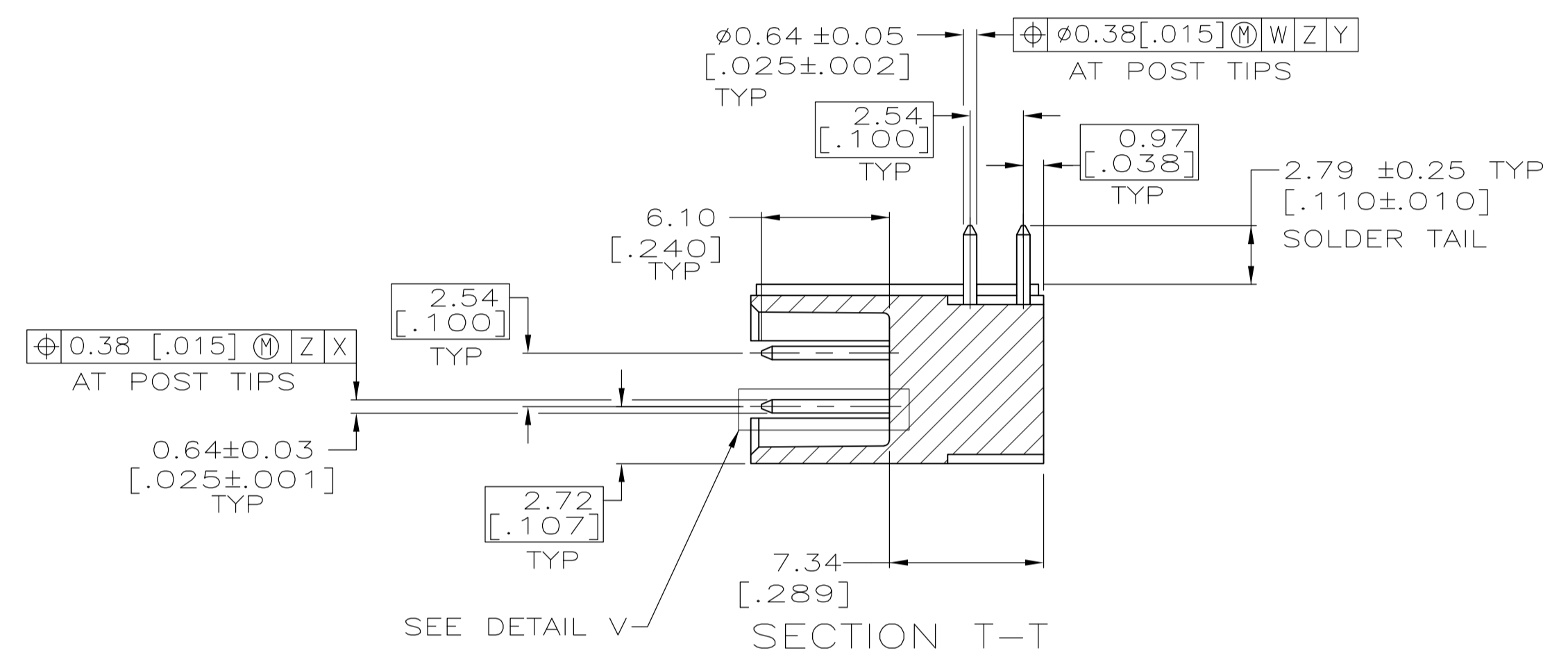
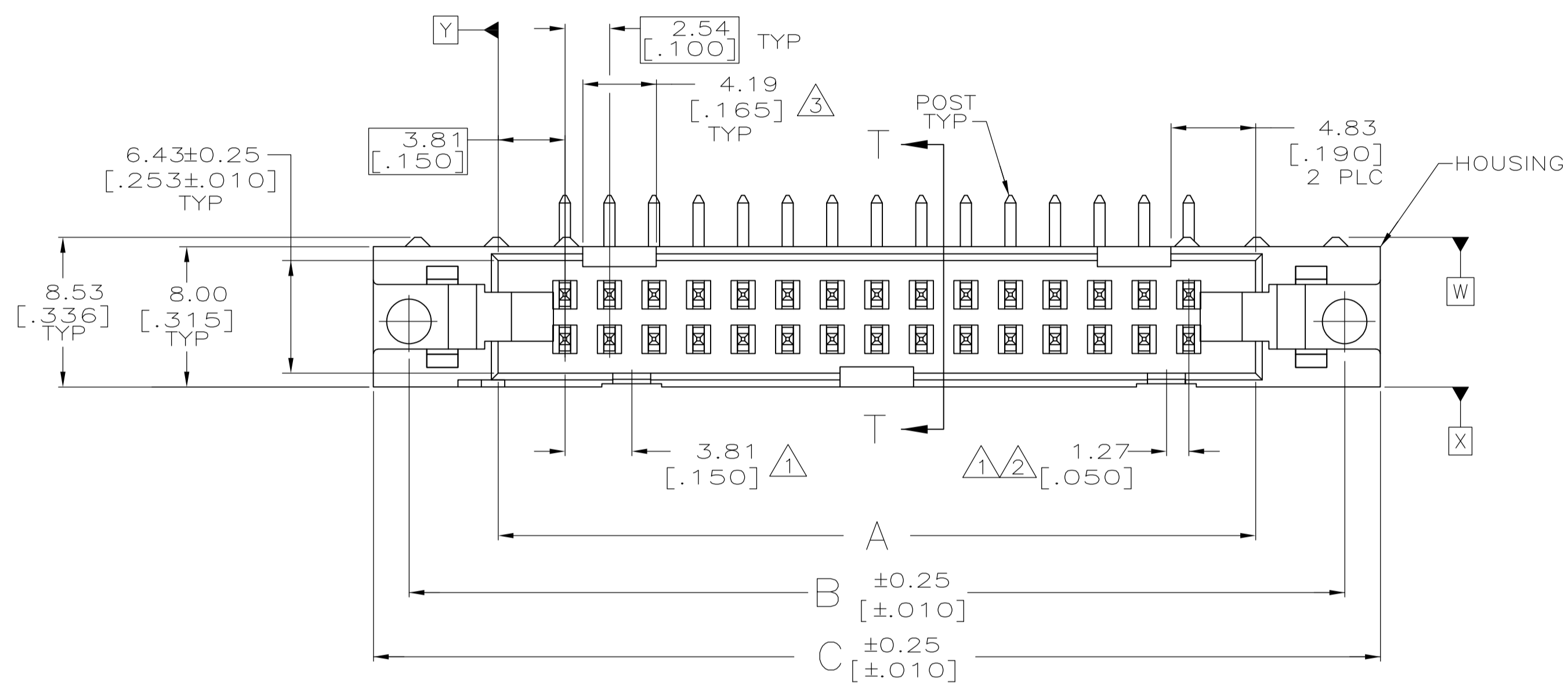
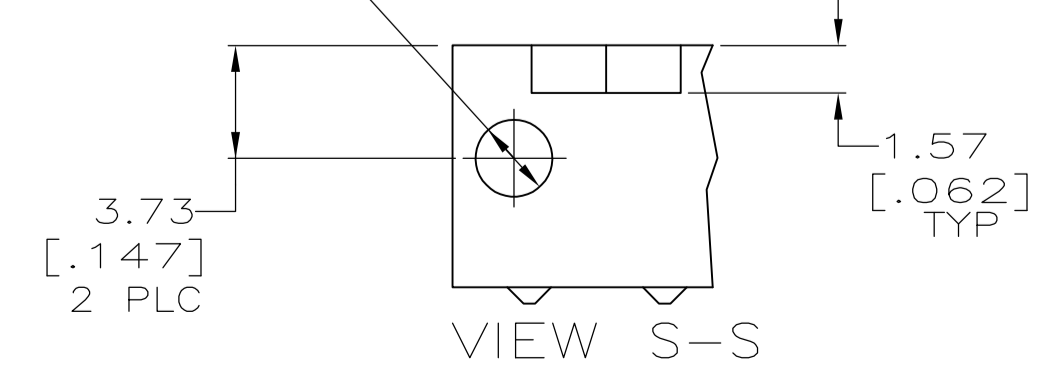


EJECTION LATCHES OMITTED IN THIS VIEW FOR CLARITY



SEE SHEET 2 FOR TABLE & NOTES



|   |                |                               |                     |                    |
|---|----------------|-------------------------------|---------------------|--------------------|
| THIS DRAWING IS A CONTROLLED DOCUMENT. DIMENSIONING AND TOLERANCING PER ASME Y14.5M-2009. |                | DIN L VARELA - DOCKS 01-07-05 | STE TE Connectivity |                    |
| DIMENSIONS: mm (INCHES)   |                | CHK S BOLASH 01-07-05         | NAME                |                    |
| TOLERANCES UNLESS OTHERWISE SPECIFIED:  |                | APP'D M WALMSLEY 01-07-05     | PRODUCT SPEC        |                    |
| 0 PLC $\pm$ -   | 1 PLC $\pm$ -  | 108-40018                     |                     |                    |
| 2 PLC $\pm$ 0.13[.005]  | 3 PLC $\pm$ -  | APPLICATION SPEC              |                     |                    |
| 4 PLC $\pm$ -   | ANGLES $\pm$ - | SIZE                          | CAGE CODE           | DRAWING NO         |
| MATERIAL  | FINISH         | WEIGHT                        | A1 00779            | 5499345            |
| $\phi$  | $\Delta$       | CUSTOMER DRAWING              | SCALE 4:1           | SHEET 1 OF 2 REV G |

- ① COORDINATE DIMENSION APPLIES FROM BASIC LOCATION.
- ② 10 AND 14 POSITION SIZES CONTAIN ONLY ONE SLOT FOR SNAP-IN POLARIZER (MILITARY POLARIZATION) LOCATED AS SHOWN.
- ③ 10 POSITION SIZES CONTAIN ONLY ONE SLOT FOR DUAL POLARIZATION, LOCATED AS SHOWN.
- 4. RECOMMENDED PRINTED CIRCUIT BOARD THICKNESS IS 1.57 [.062].
- ⑤ DISTANCE REQUIRED BY EJECTION LATCHES IN THE OPEN POSITION.
- ⑥ HOUSING & LATCHES: GLASS FILLED NYLON OR POLYESTER, UL94V-0 RATED, SEE TABLE FOR COLOR. POSTS: BRASS.
- ⑦ POSTS: GOLD FLASH OVER PALLADIUM-NICKEL PLATE, 0.76μm[.000030] MIN TOTAL ON THE LOCALIZED PLATE AREA, 2.54μm[.000100] MIN TIN PLATE ON THE SOLDER-TAIL, 1.27μm[.000050] MIN NICKEL UNDERPLATE ON THE ENTIRE POST.  
 -OR-  
 0.76μm[.000030] MIN GOLD PLATE ON THE LOCALIZED PLATE AREA, 2.54μm[.000100] MIN TIN PLATE ON THE SOLDER-TAIL, 1.27μm[.000050] MIN NICKEL UNDERPLATE ON THE ENTIRE POST.
- ⑧ DATUMS M & N TO BE ESTABLISHED BY CUSTOMER.

|          | F                | E                | D                | C                 | B                | A                | HOUSING & LATCH COLOR | NO OF POSN | PART NUMBER |
|----------|------------------|------------------|------------------|-------------------|------------------|------------------|-----------------------|------------|-------------|
| OBSOLETE | 53.34<br>[2.100] | 65.02<br>[2.560] | 65.02<br>[2.560] | 75.18<br>[2.960]  | 71.12<br>[2.800] | 60.96<br>[2.400] | BLUE                  | 44         | 3-5499345-3 |
|          | 78.74<br>[3.100] | 90.42<br>[3.560] | 90.42<br>[3.560] | 100.58<br>[3.960] | 96.52<br>[3.800] | 86.36<br>[3.400] | BLUE                  | 64         | 3-5499345-2 |
|          | 73.66<br>[2.900] | 85.34<br>[3.360] | 85.34<br>[3.360] | 95.50<br>[3.760]  | 91.44<br>[3.600] | 81.28<br>[3.200] | BLUE                  | 60         | 3-5499345-1 |
|          | 60.96<br>[2.400] | 72.64<br>[2.860] | 72.64<br>[2.860] | 82.80<br>[3.260]  | 78.74<br>[3.100] | 68.58<br>[2.700] | BLUE                  | 50         | 3-5499345-0 |
| OBSOLETE | 48.26<br>[1.900] | 59.94<br>[2.360] | 59.94<br>[2.360] | 70.10<br>[2.760]  | 66.04<br>[2.600] | 55.88<br>[2.200] | BLUE                  | 40         | 2-5499345-9 |
| OBSOLETE | 40.64<br>[1.600] | 52.32<br>[2.060] | 52.32<br>[2.060] | 62.48<br>[2.460]  | 58.42<br>[2.300] | 48.26<br>[1.900] | BLUE                  | 34         | 2-5499345-8 |
|          | 30.48<br>[1.200] | 42.16<br>[1.660] | 42.16<br>[1.660] | 52.32<br>[2.060]  | 48.26<br>[1.900] | 38.10<br>[1.500] | BLUE                  | 26         | 2-5499345-6 |
|          | 22.86<br>[.900]  | 34.54<br>[1.360] | 34.54<br>[1.360] | 44.70<br>[1.760]  | 40.64<br>[1.600] | 30.48<br>[1.200] | BLUE                  | 20         | 2-5499345-4 |
|          | 17.78<br>[.700]  | 29.46<br>[1.160] | 29.46<br>[1.160] | 39.62<br>[1.560]  | 35.56<br>[1.400] | 25.40<br>[1.000] | BLUE                  | 16         | 2-5499345-3 |
| OBSOLETE | 15.24<br>[.600]  | 26.92<br>[1.060] | 26.92<br>[1.060] | 37.08<br>[1.460]  | 33.02<br>[1.300] | 22.86<br>[.900]  | BLUE                  | 14         | 2-5499345-2 |
| OBSOLETE | 10.16<br>[.400]  | 21.84<br>[.860]  | 21.84<br>[.860]  | 32.00<br>[1.260]  | 27.94<br>[1.100] | 17.78<br>[.700]  | BLUE                  | 10         | 2-5499345-1 |
|          | 78.74<br>[3.100] | 90.42<br>[3.560] | 90.42<br>[3.560] | 100.58<br>[3.960] | 96.52<br>[3.800] | 86.36<br>[3.400] | BLACK                 | 64         | 1-5499345-2 |
|          | 73.66<br>[2.900] | 85.34<br>[3.360] | 85.34<br>[3.360] | 95.50<br>[3.760]  | 91.44<br>[3.600] | 81.28<br>[3.200] | BLACK                 | 60         | 1-5499345-1 |
|          | 60.96<br>[2.400] | 72.64<br>[2.860] | 72.64<br>[2.860] | 82.80<br>[3.260]  | 78.74<br>[3.100] | 68.58<br>[2.700] | BLACK                 | 50         | 1-5499345-0 |
|          | 48.26<br>[1.900] | 59.94<br>[2.360] | 59.94<br>[2.360] | 70.10<br>[2.760]  | 66.04<br>[2.600] | 55.88<br>[2.200] | BLACK                 | 40         | 5499345-9   |
|          | 40.64<br>[1.600] | 52.32<br>[2.060] | 52.32<br>[2.060] | 62.48<br>[2.460]  | 58.42<br>[2.300] | 48.26<br>[1.900] | BLACK                 | 34         | 5499345-8   |
|          | 30.48<br>[1.200] | 42.16<br>[1.660] | 42.16<br>[1.660] | 52.32<br>[2.060]  | 48.26<br>[1.900] | 38.10<br>[1.500] | BLACK                 | 26         | 5499345-6   |
|          | 27.94<br>[1.100] | 39.62<br>[1.560] | 39.62<br>[1.560] | 49.78<br>[1.960]  | 45.72<br>[1.800] | 35.56<br>[1.400] | BLACK                 | 24         | 5499345-5   |
|          | 22.86<br>[.900]  | 34.54<br>[1.360] | 34.54<br>[1.360] | 44.70<br>[1.760]  | 40.64<br>[1.600] | 30.48<br>[1.200] | BLACK                 | 20         | 5499345-4   |
|          | 17.78<br>[.700]  | 29.46<br>[1.160] | 29.46<br>[1.160] | 39.62<br>[1.560]  | 35.56<br>[1.400] | 25.40<br>[1.000] | BLACK                 | 16         | 5499345-3   |
|          | 15.24<br>[.600]  | 26.92<br>[1.060] | 26.92<br>[1.060] | 37.08<br>[1.460]  | 33.02<br>[1.300] | 22.86<br>[.900]  | BLACK                 | 14         | 5499345-2   |
|          | 10.16<br>[.400]  | 21.84<br>[.860]  | 21.84<br>[.860]  | 32.00<br>[1.260]  | 27.94<br>[1.100] | 17.78<br>[.700]  | BLACK                 | 10         | 5499345-1   |

|  |  |  |  |                            |  |                  |  |                                 |  |
|--|--|--|--|----------------------------|--|------------------|--|---------------------------------|--|
| THIS DRAWING IS A CONTROLLED DOCUMENT. DIMENSIONING AND TOLERANCING PER ASME Y14.5M-2009 |  | DIN L VARELA - DOCKS 01-07-05<br>CHK S BOLASH 01-07-05 |  | APPROV M WALMSLEY 01-07-05 |  | NAME             |  | TE Connectivity                 |  |
| DIMENSIONS: mm [INCHES]  |  | TOLERANCES UNLESS OTHERWISE SPECIFIED:                 |  | PRODUCT SPEC               |  | APPLICATION SPEC |  | HEAD ASSY, UNIVERSAL, AMP-LATCH |  |
| 0 PLC ± -  |  | 1 PLC ± -  |  | 108-40018                  |  | SIZE             |  | DRAWING NO                      |  |
| 2 PLC ± 0.13[.005]   |  | 3 PLC ± -  |  | A1                         |  | CAGE CODE        |  | 5499345                         |  |
| 4 PLC ± -  |  | ANGLES ± -   |  | WEIGHT                     |  | SCALE            |  | SHEET 2 OF 2                    |  |
| MATERIAL   |  | FINISH   |  | CUSTOMER DRAWING           |  | SCALE 1:1        |  | REV G                           |  |

## X-ON Electronics

Largest Supplier of Electrical and Electronic Components

*Click to view similar products for [Headers & Wire Housings](#) category:*

*Click to view products by [TE Connectivity](#) manufacturer:*

Other Similar products are found below :

[892-18-020-10-001101](#) [58102-G61-06LF](#) [582553-1](#) [0009485154](#) [009176003701906](#) [0050291907](#) [LY20-4P-DT1-P1E-BR](#) [02.125.8002.8](#)  
[609-3404](#) [61062-3](#) [61082-181009](#) [622-3653LF](#) [63453-116](#) [636-1030](#) [636-1427](#) [636-3427](#) [636-4007](#) [641938-9](#) [641991-4](#) [644827-2](#) [65817-010LF](#) [65817-015LF](#) [65863-015LF](#) [66207-023LF](#) [67095-007LF](#) [67601157](#) [68645-018](#) [68648-049](#) [70.362.1628.0](#) [70-4210](#) [70-4226B](#) [70-4853B](#) [707-5020](#) [707-5028](#) [71.350.2428.0](#) [71918-208LF](#) [71961-016LF](#) [733-134](#) [733-162](#) [754199-000](#) [760-3052](#) [787-8014-00](#) [79531-3000](#)  
[FCN-360C032-B](#) [FCN-367T-T012/H](#) [FCN-723D010/2](#) [80.063.4001.1](#) [800-90-001-10-001000](#) [800-90-010-10-002000](#) [801-43-002-10-013000](#)