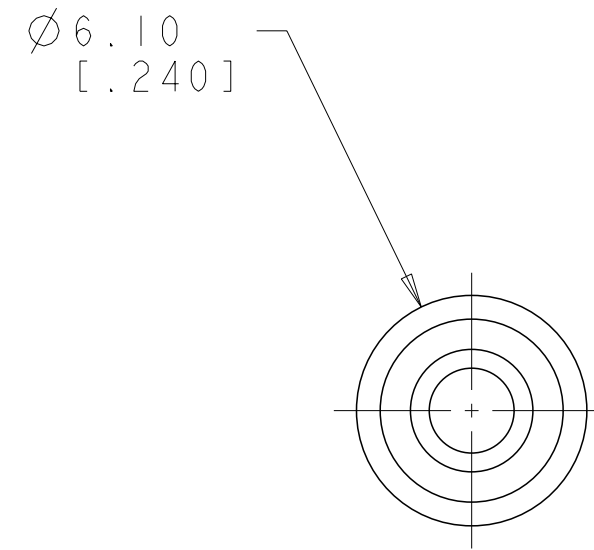
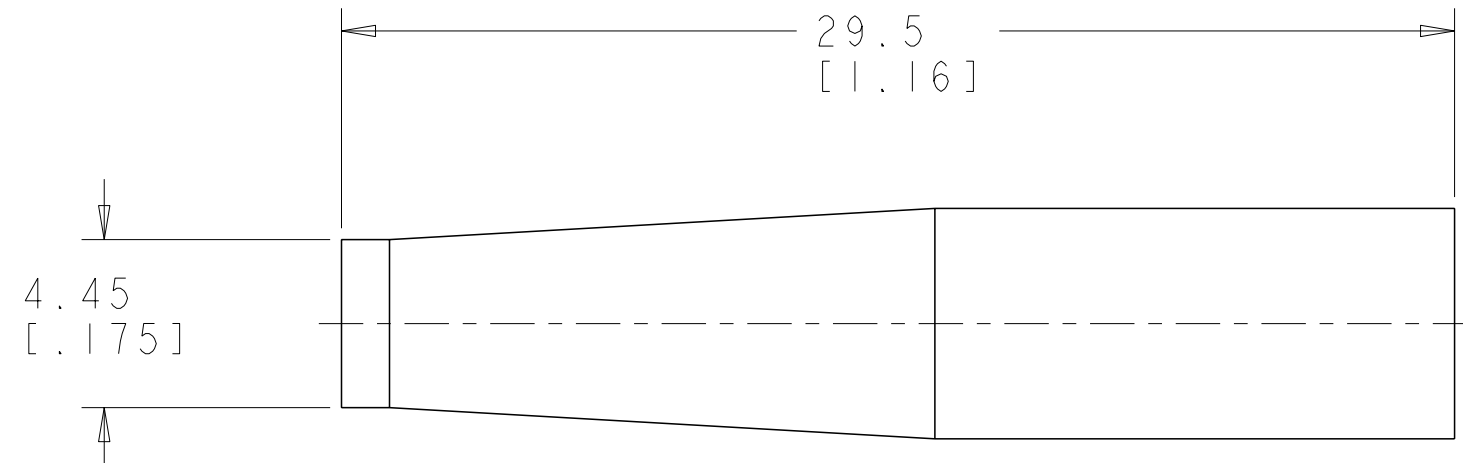
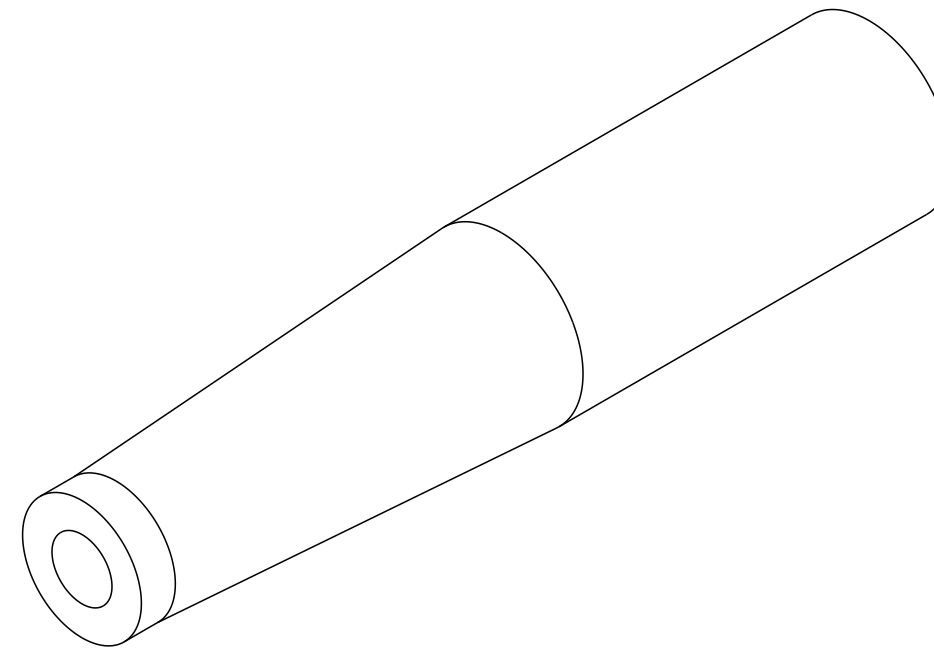


THIS DRAWING IS UNPUBLISHED. RELEASED FOR PUBLICATION 20
 © 2016 COMMSCOPE, INC. CONFIDENTIAL NOTICE: THESE DRAWINGS AND SPECIFICATIONS ARE THE PROPRIETARY PROPERTY OF COMMSCOPE, INC. AND MAY BE USED ONLY FOR THE SPECIFIC PURPOSE AUTHORIZED IN WRITING BY COMMSCOPE, INC.

REVISIONS				
P	LTR	DESCRIPTION	DATE	APVD
	E	REV; 40032883MCO	15AUG2016	GG TE

⚠ MATERIAL: TPE, SEE TABLE FOR COLOR, UL 94 V-0 RATED AT QUALIFYING THICKNESS.



2.4/2.5	GREEN	3-5503971-7
2.4/2.5	GREEN	3-5503971-6
3.0	AQUA	3-5503971-5
3.0	AQUA	3-5503971-4
2.4/2.5	AQUA	3-5503971-3
2.4/2.5	AQUA	3-5503971-2
2.0	AQUA	3-5503971-1
2.0	AQUA	3-5503971-0
2.0	BEIGE	2-5503971-9
2.0	GREEN	2-5503971-8
2.0	RED	2-5503971-7
2.0	BLACK	2-5503971-5
2.0	BLACK	2-5503971-3
3.0	YELLOW	2-5503971-2
3.0	WHITE	1-5503971-9
3.0	GREEN	1-5503971-8
3.0	RED	1-5503971-7
3.0	BLACK	1-5503971-6
3.0	BLUE	1-5503971-5
3.0	BEIGE	1-5503971-4
2.4/2.5	RED	1-5503971-3
2.4/2.5	BLACK	1-5503971-2
3.0	RED	1-5503971-1
3.0	BLACK	1-5503971-0
2.0	YELLOW	5503971-9
2.4/2.5	YELLOW	5503971-8
3.0	YELLOW	5503971-7
2.0	BLUE	5503971-6
2.0	BEIGE	5503971-5
2.4/2.5	BLUE	5503971-4
2.4/2.5	BEIGE	5503971-3
3.0	BLUE	5503971-2
3.0	BEIGE	5503971-1
CABLE DIA	COLOR	PART NUMBER

THIS DRAWING IS A CONTROLLED DOCUMENT.		DWN E. HOPKINS 28 JAN 2005	COMMSCOPE, INC.	
DIMENSIONS: mm [INCHES]		CHK D. ERDMAN 28 JAN 2005		
TOLERANCES UNLESS OTHERWISE SPECIFIED:		APVD S. BUCHTER 28 JAN 2005	NAME BOOT, SHORT, AMP SC/FC TYPE	
0 PLC ±	1 PLC ±0.3 [.01]	PRODUCT SPEC	SIZE	RESTRICTED TO
2 PLC ±0.15 [.006]	3 PLC ±	APPLICATION SPEC	CAGE CODE	
4 PLC ±	ANGLES ±	WEIGHT	DRAWING NO	
FINISH -		CUSTOMER DRAWING	A200779	
		SCALE	G-5503971	
		5:1	SHEET	REV E

X-ON Electronics

Largest Supplier of Electrical and Electronic Components

Click to view similar products for [Fibre Optic Connectors](#) category:

Click to view products by [TE Connectivity](#) manufacturer:

Other Similar products are found below :

[0004700001](#) [6100-R](#) [6313](#) [F709034706](#) [F709722200](#) [F709730000](#) [F718183204](#) [F727403500](#) [F727752800](#) [8119](#) [9440F20-27S-190](#) [944-120-6001](#) [9441F10SL-3S](#) [9444W28-21S](#) [9444W36-10S](#) [9446F10SL-4S](#) [9446W20-16S](#) [953-101-5310-P](#) [954-101-57202B](#) [A0270169](#) [12-9122](#) [12-5702](#) [AX101713](#) [AX102420](#) [AX103923](#) [AX104024](#) [AX104193](#) [AX104230](#) [AX104562](#) [AX105203-B25](#) [AX105205-S1](#) [EHSC2M](#) [181-011-126](#) [181-011-S](#) [181-057-126](#) [HRFC-R2\(40\)](#) [NKSOPBUY](#) [20500002116](#) [2064996-1](#) [20800001065](#) [2170](#) [9132](#) [2612](#) [2620](#) [9291](#) [9440F16-10S](#) [9440F20-18S](#) [9446F16-10S-190](#) [953-106-50231](#) [953-120-5003](#)