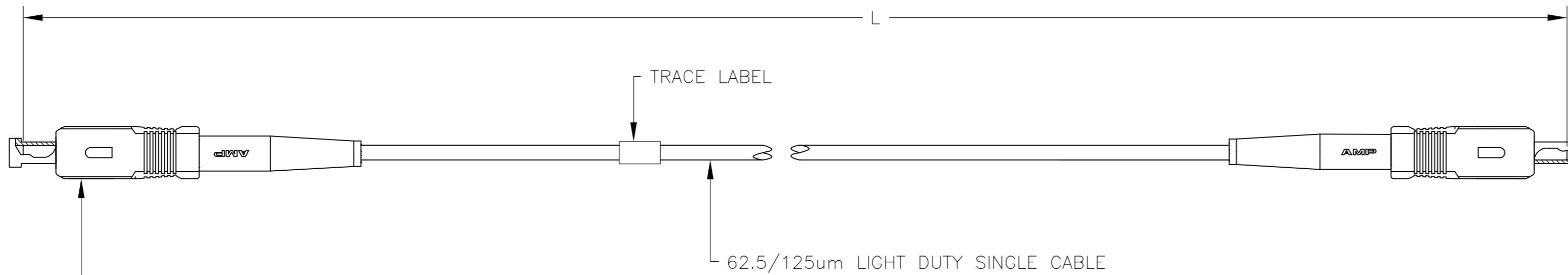


THIS DRAWING IS UNPUBLISHED. RELEASED FOR PUBLICATION  
 © COPYRIGHT BY TYCO ELECTRONICS CORPORATION. ALL RIGHTS RESERVED.

LOC	DIST	REVISIONS			
P	LTR	DESCRIPTION	DATE	DWN	APVD
CE	16	A	RELEASED PER NPR	01 FEB 06	CSV JD

1. DIMENSIONS IN [ ] ARE IN INCHES.
2. MAXIMUM INSERTION LOSS IS 0.5d PLUS CABLE ATTENUATION OF 1.5dB/km AT 1300nm.
3. PRODUCT AND PROCESSING MUST MEET REQUIREMENTS OF THE TYCO ELECTRONICS STANDARD 230-702



AMP SC (NG) CONNECTOR KIT  
2 PLC

62.5/125um LIGHT DUTY SINGLE CABLE

3.50	2000±20 [78740±787]	9-5504970-9
1.33	550±5 [21653±197]	9-5504970-8
0.52	12.80±0.15 [504±6]	1-5504970-4
0.51	6.70±0.08 [264±3]	1-5504970-3
0.50	4.00±0.08 [157.5±3.0]	1-5504970-2
0.52	13.72±0.15 [540±6]	1-5504970-1
0.52	12.19±0.15 [480±6]	1-5504970-0
0.52	10.67±0.15 [420±6]	5504970-9
0.51	6.1±0.08 [240±3]	5504970-8
0.53	20±0.3 [787±12]	5504970-7
0.52	15±0.15 [591±6]	5504970-6
0.52	10±0.15 [394±6]	5504970-5
0.51	5±0.08 [197±3]	5504970-4
0.50	3±0.05 [118±2]	5504970-3
0.50	2±0.05 [79±2]	5504970-2
0.50	1±0.05 [39±2]	5504970-1

MAX IL (dB)	L	PART NUMBER
-------------	---	-------------

THIS DRAWING IS A CONTROLLED DOCUMENT.		DWN C.S.VASU 01 FEB 06	Tyco Electronics Corporation Harrisburg, Pa 17105-3608															
DIMENSIONS: METERS [INCHES]		CHK J.DUNCAN 01 FEB 06																
TOLERANCES UNLESS OTHERWISE SPECIFIED:		APVD J.DUNCAN 01 FEB 06	NAME CABLE ASSY, FIBER OPTIC, 62.5/125µm LDS, AMP SC (NG) TO AMP SC (NG), OPTIMATE															
<table border="0"> <tr><td>0 PLC</td><td>± -</td></tr> <tr><td>1 PLC</td><td>± -</td></tr> <tr><td>2 PLC</td><td>± -</td></tr> <tr><td>3 PLC</td><td>± -</td></tr> <tr><td>4 PLC</td><td>± -</td></tr> <tr><td>ANGLES</td><td>± -</td></tr> <tr><td>FINISH</td><td>-</td></tr> </table>		0 PLC	± -	1 PLC	± -	2 PLC	± -	3 PLC	± -	4 PLC	± -	ANGLES	± -	FINISH	-	PRODUCT SPEC -	SIZE A2	CAGE CODE 00779
0 PLC	± -																	
1 PLC	± -																	
2 PLC	± -																	
3 PLC	± -																	
4 PLC	± -																	
ANGLES	± -																	
FINISH	-																	
MATERIAL -		WEIGHT -	DRAWING NO C=5504970															
		CUSTOMER DRAWING		RESTRICTED TO -														
		SCALE NTS		SHEET 1 OF 1														
				REV A														

5504970

## X-ON Electronics

Largest Supplier of Electrical and Electronic Components

*Click to view similar products for [Fiber Optic Cable Assemblies](#) category:*

*Click to view products by [TE Connectivity](#) manufacturer:*

Other Similar products are found below :

[7-21002-9](#) [760-1518](#) [FA04390-50-M-72-LC-N](#) [MLB 501 V RED](#) [MLB 501 V YELLOW](#) [8-21000-7](#) [FXE3-10BM15](#) [FXE3-10FM5](#) [FZB3-NM1](#) [1-3636-600-5208](#) [ICD040GVP163D-07](#) [2901797](#) [1-6693182-0](#) [1754898-1](#) [F512D5-5F23Y](#) [F912B10-NM2](#) [FAP12WFDBDBDLCZ](#) [21055-6](#) [FXBSCSCE2LM002](#) [FXE3-10AM10](#) [FXE3-10AM20](#) [FXE3-10BM7](#) [FXE3-10FM15](#) [FXE3-10FM3](#) [FXE3-10FM4](#) [FXE3-10FM7](#) [FXE3-10GM3](#) [FZE10-10M6](#) [FZOPE10-10M5](#) [3000005](#) [3-21053-2](#) [MLB 200/1 V BLACK](#) [MLB 2001 V YELLOW](#) [MLB 501 V BLACK](#) [5492011-6](#) [106284-7000](#) [5492011-5](#) [5492011-8](#) [5492011-9](#) [CF-901201-007](#) [7-21000-4](#) [8-21007-5](#) [8-21084-0](#) [3-5106081-0](#) [106386-4447](#) [2-2064140-6](#) [F92ELLNSNSNM003](#) [2-2064140-3](#) [6-2064140-3](#) [2-2064140-2](#)