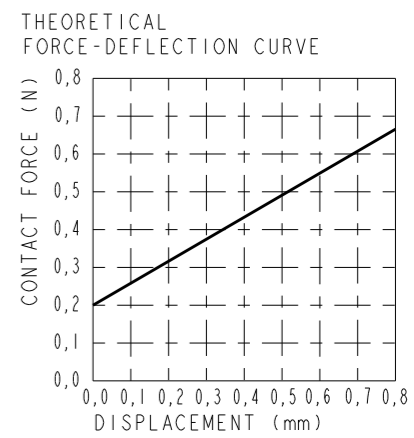
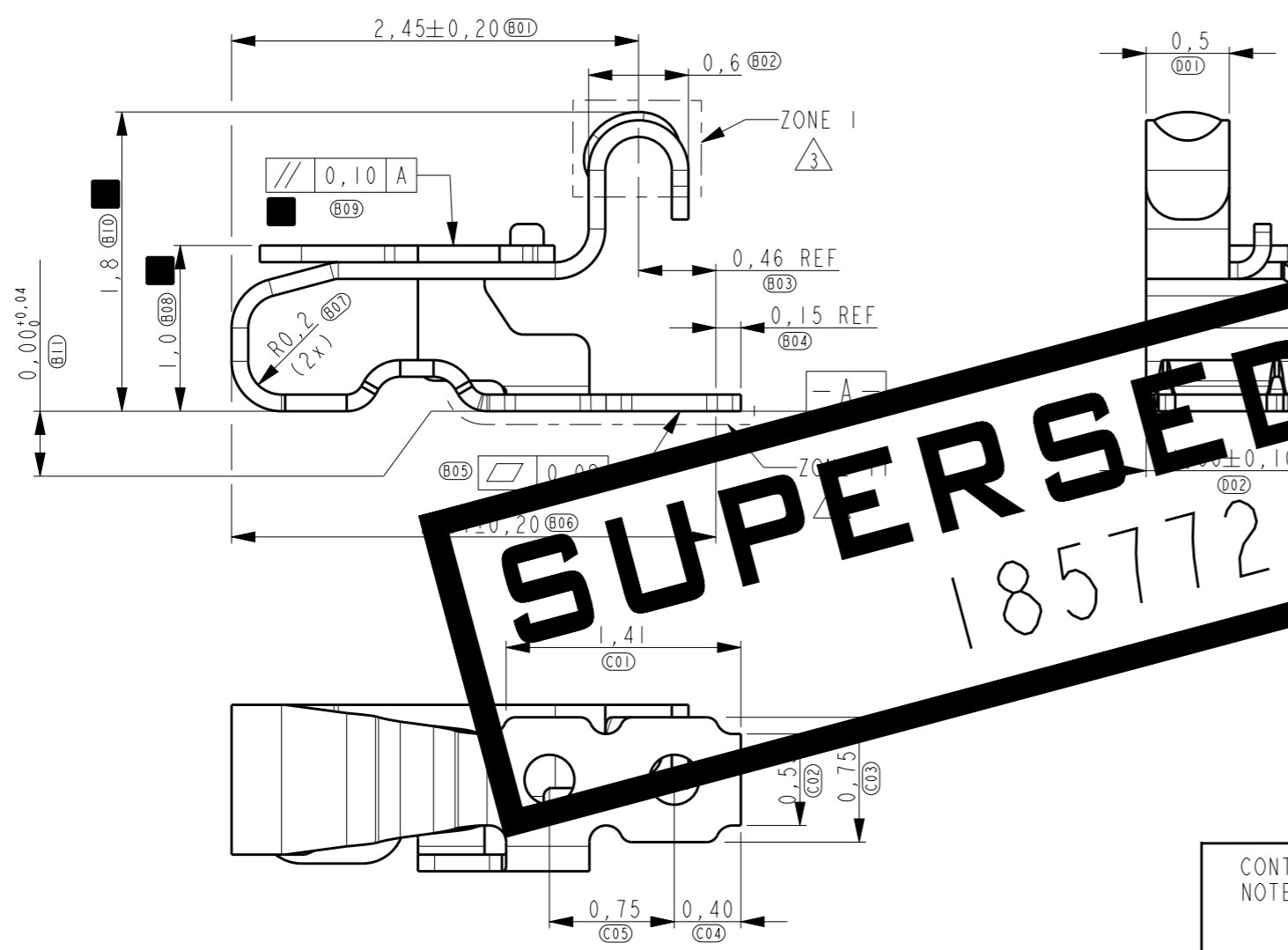
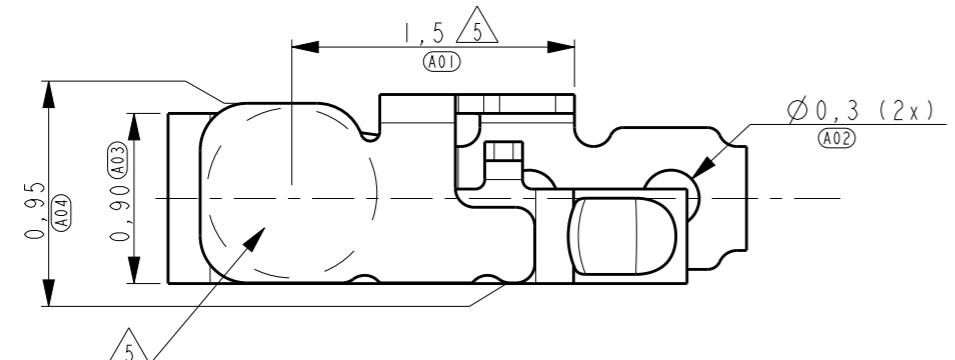


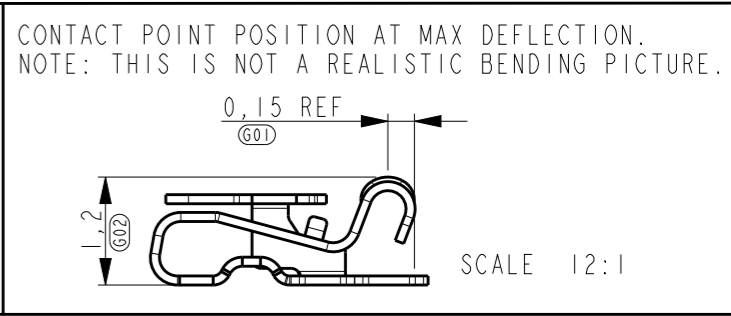
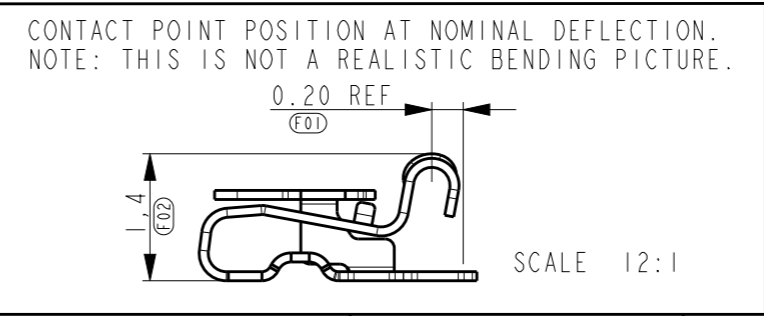
THIS DRAWING IS UNPUBLISHED. RELEASED FOR PUBLICATION  
 © COPYRIGHT - BY TYCO ELECTRONICS CORPORATION. ALL RIGHTS RESERVED.

LOC	DIST	REVISIONS				
P	LTR	DESCRIPTION	DATE	DWN	APVD	
H	-	B	ECR-11-004258	25FEB2011	J.v.H	DH
		C	ECR-18-013637	16NOV2018	E.Z	W.H



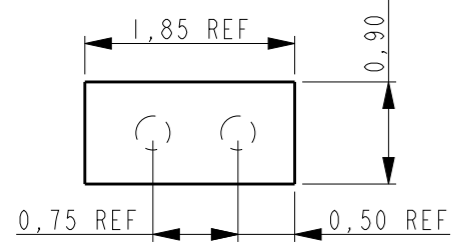
**SUPERSEDED BY:**  
 1857724-4

- NOTES:
- PART NUMBER: 1551281-4 AS SHOWN.
  - MATERIAL: TiCu.
  - PLATING: 1,3µm MIN. NICKEL UNDERLAYER ALL OVER  
 ZONE I: 0,50µm MIN. GOLD  
 ZONE II: GOLD FLASH
  - FORCE AT MIN DEFLECTION (AT 1,6mm) 0,20N MIN.  
 FORCE AT MAX DEFLECTION (AT 1,2mm) 0,80N MAX.
  - INDICATED SURFACE TO BE USED AS PICK AND PLACE SURFACE.  
 THE DASHED LINE INDICATES A Ø0,90mm VACUUM PICKER.
  - = CRITICAL DIMENSION WHICH EFFECTS FORM FIT & FUNCTION

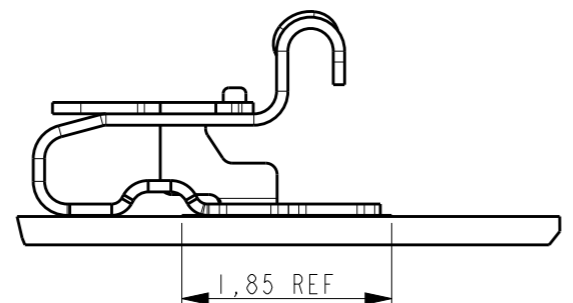


RECOMMENDED PWB LAY-OUT.

DASHED CIRCLES ARE THE LOCATION OF THE SHIELD FINGER BOTTOM HOLES.



REFERENCE VIEW FOR COMPONENT PLACEMENT



THIS DRAWING IS A CONTROLLED DOCUMENT FOR TYCO ELECTRONICS CORPORATION. IT IS SUBJECT TO CHANGE AND THE CONTROLLING ENGINEERING ORGANIZATION SHOULD BE CONTACTED FOR THE LATEST REVISION.

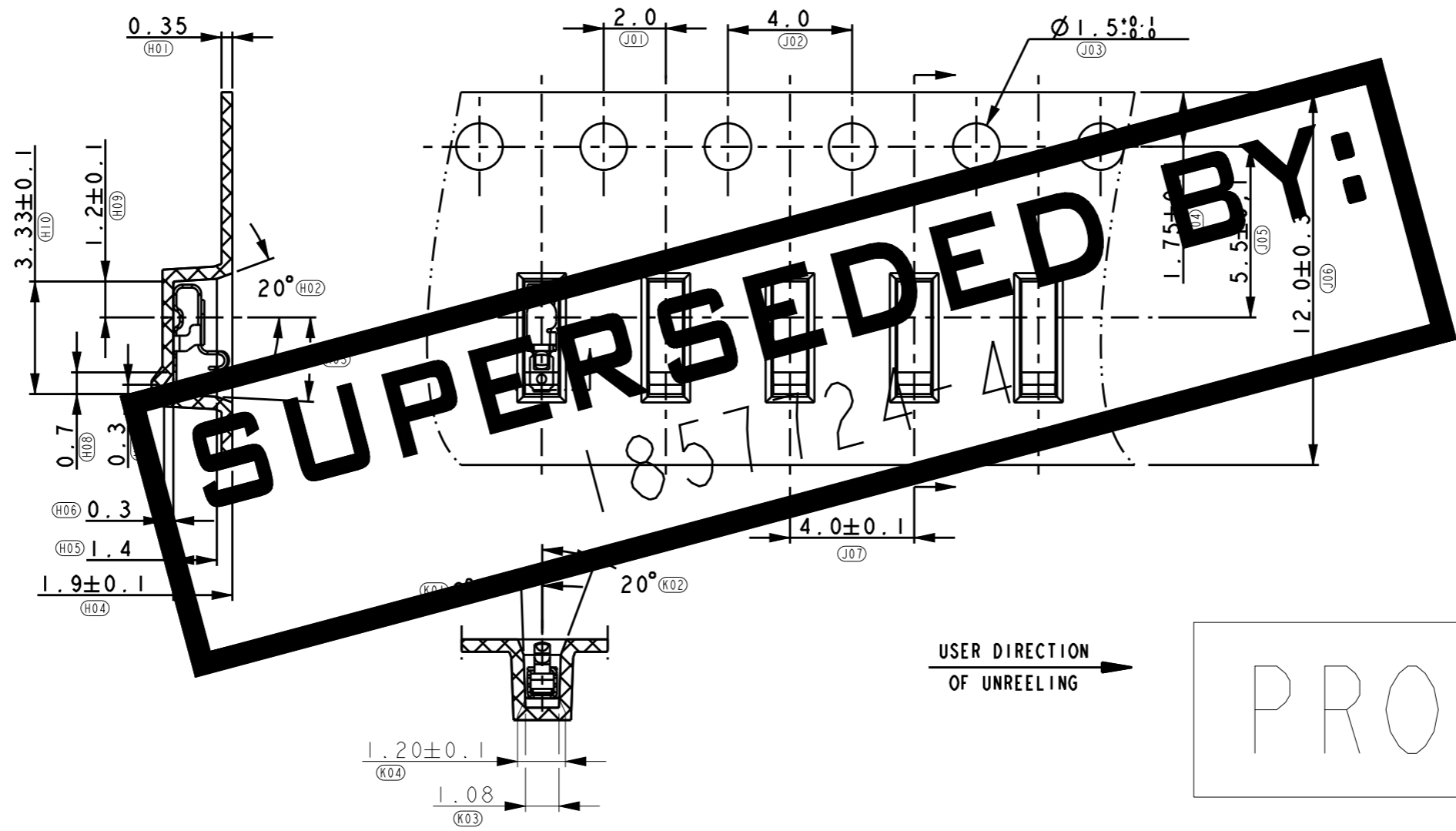
DIMENSIONS:	TOLERANCES UNLESS OTHERWISE SPECIFIED:
mm	
0 PLC	±0,20
1 PLC	±0,10
2 PLC	±0,10
3 PLC	±0,05
4 PLC	±-
ANGLES	±-
MATERIAL	FINISH
-	-

DWN	15-JUL-09
W. Jansen	
CHK	15-JUL-09
W. Jansen	
APVD	15-JUL-09
D. Halberstadt	
PRODUCT SPEC	-
APPLICATION SPEC	-
WEIGHT	0,0055g
CUSTOMER DRAWING	

		Tyco Electronics Nederland BV 's-Hertogenbosch, The Netherlands	
NAME: SPRING FINGER 1,8 mm LEFT			
SIZE	CAGE CODE	DRAWING NO	RESTRICTED TO
A3	00779	C=1551281	
SCALE 20:1		SHEET 1 OF 2	REV C

THIS DRAWING IS UNPUBLISHED. RELEASED FOR PUBLICATION  
 © COPYRIGHT - BY TYCO ELECTRONICS CORPORATION. ALL RIGHTS RESERVED.

LOC	DIST	REVISIONS			
P	LTR	DESCRIPTION	DATE	DWN	APVD
H	-	SEE SHEET 1	-	-	-



PROPOSAL

<small>THIS DRAWING IS A CONTROLLED DOCUMENT FOR TYCO ELECTRONICS CORPORATION          IT IS SUBJECT TO CHANGE AND THE CONTROLLING ENGINEERING ORGANIZATION          SHOULD BE CONTACTED FOR THE LATEST REVISION.</small>		DWN 15-JUL-09 W. Jansen		Tyco Electronics Nederland BV 's-Hertogenbosch, The Netherlands	
DIMENSIONS: mm		TOLERANCES UNLESS OTHERWISE SPECIFIED: 0 PLC ±0,20 1 PLC ±0,10 2 PLC ±0,10 3 PLC ±0,05 4 PLC ±- ANGLES ±-		NAME SPRING FINGER 1,8 mm LEFT	
MATERIAL -		FINISH -		PRODUCT SPEC - APPLICATION SPEC - WEIGHT 0,0055g	
		CUSTOMER DRAWING		SIZE A3 CAGE CODE 00779 DRAWING NO. C=1551281 RESTRICTED TO	
				SCALE 20:1 SHEET 2 OF 2 REV C	

## X-ON Electronics

Largest Supplier of Electrical and Electronic Components

*Click to view similar products for [EMI Gaskets, Sheets, Absorbers & Shielding](#) category:*

*Click to view products by [TE Connectivity](#) manufacturer:*

Other Similar products are found below :

[8101010140](#) [8563-0090-89](#) [1194-7.7X10](#) [1245-34"X18YD](#) [1267](#) [1345-3/8x18yrd](#) [1554907-1](#) [2320002000](#) [2320014700](#) [SG293037DS](#)  
[ST005PCN50](#) [55005107](#) [38M4040AA0606](#) [46J5N02020.NN00](#) [1125-8X10](#) [1126X1"](#) [1170-3/4X18YDS](#) [1170-7.7x10](#) [1183-12"X18YD](#) [6-](#)  
[34T-BD-0.315](#) [SG125187D-24](#) [SG125250R-24](#) [SG187375R-24](#) [SG284050DS](#) [8402010540](#) [KIT TECH CLIP](#) [1194](#) [10-40450-28S](#) [1245](#)  
[1267-1/2"x18yd](#) [46J8501020.NN00](#) [1170-1/4"x18yd](#) [AL-36FR-1x54.5](#) [3013310A](#) [1194X1"](#) [3020604](#) [3021302](#) [3031313](#) [260709](#) [3021310](#) [6-](#)  
[34UT-070-BD-16](#) [303076048](#) [46J5N03020.NN00](#) [30206025](#) [30395641](#) [3030403](#) [3690103020](#) [HNY-LT15CU4241](#) [46X7503020.NN00](#)  
[46W5E02520.NN00](#)