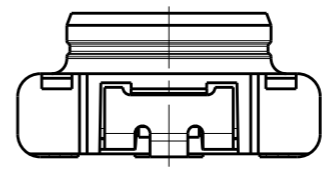
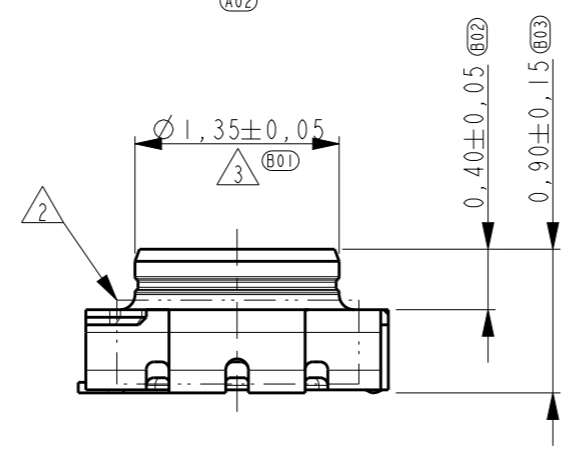
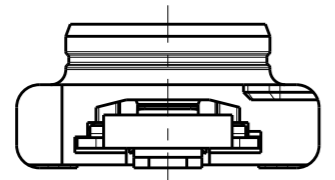
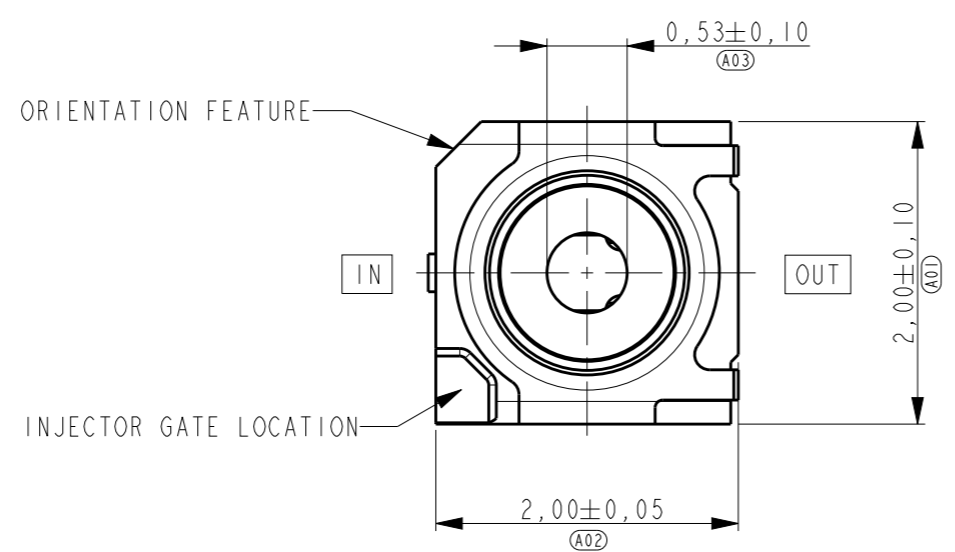
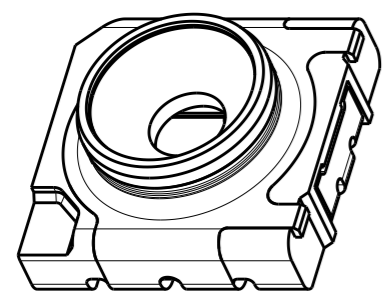


THIS DRAWING IS UNPUBLISHED. RELEASED FOR PUBLICATION
 © COPYRIGHT - BY - ALL RIGHTS RESERVED.

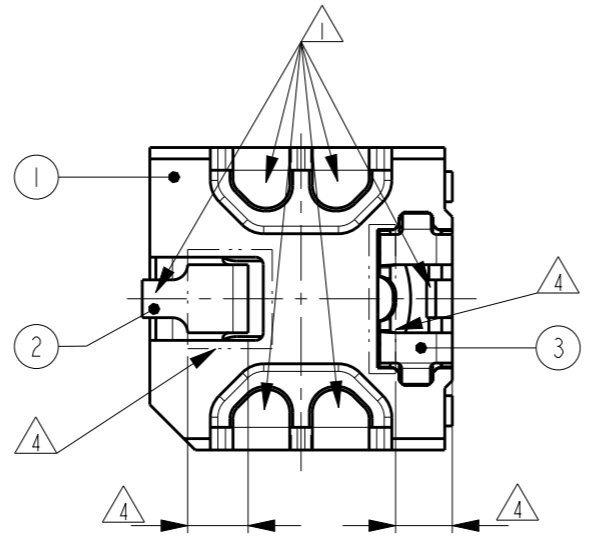
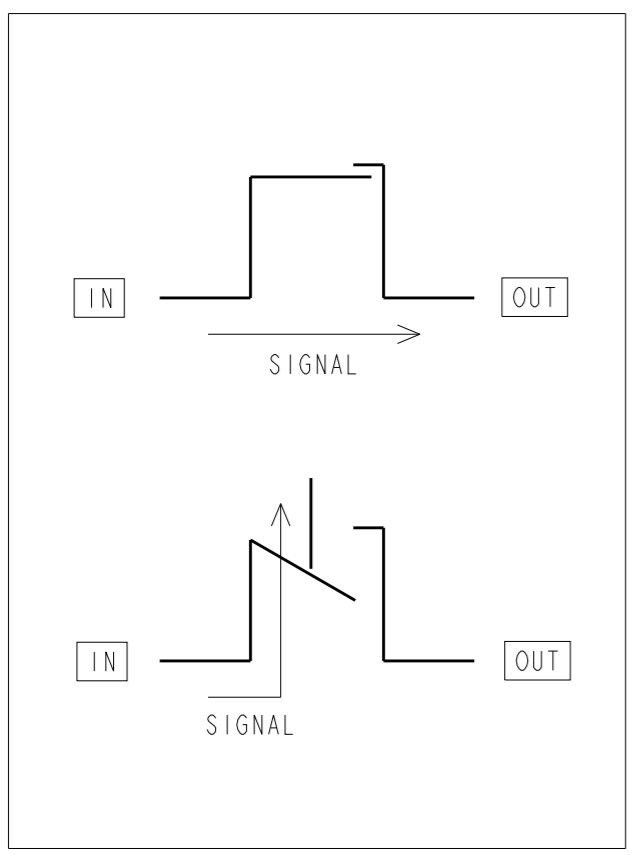
| LOC | DIST | REVISIONS | | | | | |
|-----|------|-----------|---------------|-------------|-----------|-----|------|
| H | - | P | LTR | DESCRIPTION | DATE | DWN | APVD |
| | | - | - | | | - | - |
| | | - | - | | | - | - |
| | | - | - | | | - | - |
| | | A7 | ECR-16-018060 | | 24APR2018 | BW | RS |



- NOTES:
- 1 COPLANARITY OF SOLDER SURFACES 0,08 MAX.
 - 2 MAX FLASH ALLOWED IN THIS AREA (TWO SIDES) 0,08mm.
 - 3 DIMENSIONS FOLLOW REQUIREMENTS FOR MATING TO:
MASS PRODUCTION PROBE 619361-1.
HAND PROBE 619384-1.
 - 4 SOLDER BARRIER AREA; Ni PLATING ON CONTACTS.

OBSOLETE

1551372-1 AS SHOWN.



| ITEM NO. | DESCRIPTION | MATERIAL | FINISH |
|----------|--------------------|---------------------------|---------------|
| 3 | CONTACT CLIP | COPPER ALLOY | 0,1 µm GOLD |
| 2 | CONTACT SPRING | COPPER ALLOY | 0,1 µm GOLD |
| 1 | SHIELD OVERMOULDED | LCP, 30%GF / COPPER ALLOY | 1,2 µm NICKEL |

THIS DRAWING IS A CONTROLLED DOCUMENT.

| | | | |
|------------------|----------------|----------------------------|-----------|
| DWN | 07 SEP 2009 | STE TE Connectivity | |
| CHK | J. Haans | | |
| CHK | J. Dittner | | |
| APVD | 08 SEP 2009 | | |
| APVD | D. Halberstadt | NAME | RF SWITCH |
| PRODUCT SPEC | 108-19355 | SIZE | A3 |
| APPLICATION SPEC | 114-19113 | CAGE CODE | 00779 |
| WEIGHT | 0,007 gr | DRAWING NO | 1551372 |
| MATERIAL | SEE TABLE | RESTRICTED TO | - |
| FINISH | SEE TABLE | SCALE | 20:1 |
| | | SHEET | 1 OF 3 |
| | | REV | A7 |

Customer Drawing

4

3

2

1

THIS DRAWING IS UNPUBLISHED.

RELEASED FOR PUBLICATION

© COPYRIGHT - BY -

ALL RIGHTS RESERVED.

LOC
HDIST
-

REVISIONS

| P | LTR | DESCRIPTION | DATE | DWN | APVD |
|---|-----|-------------|------|-----|------|
| | - | SEE SHEET 1 | - | - | - |
| | | | | | |
| | | | | | |

Top view of the RF switch component. Dimensions are given in mm with tolerances in parentheses: 4,00 (C01) for the distance between the first two contact points, 2,00 (C02) for the distance between the second and third, and 1,50 (C03) for the distance between the fourth and fifth. The total length is 8,00 (C06). The width is 3,50 (C05) for the contact area and 7,75 (C04) for the overall width. The unreeled direction is indicated by an arrow pointing to the right.

SECTION X-X: A cross-sectional view showing the profile of the component. It features a top edge with a radius of R0,10 (D01) and a vertical height of 2,15 S.C. (D02). The bottom edge has a width of 1,05 (D03).

SECTION Z-Z: A cross-sectional view showing the profile of the component. It features a vertical height of 2,15 S.C. (E01).

NOTES:

- 1 MATERIAL: PS 0,3 mm. COLOR CLEAR.
- 2 ALL INSIDE RADII 0,2 MAX, UNLESS OTHERWISE SPECIFIED.
- 3 ACCORDING EIA-481.0-B.
- 4 MAXIMUM CAMBER 1mm / 250mm.
- 5 REEL DIAM 330mm. 10000 PIECES/REEL

OBSELETE

THIS DRAWING IS A CONTROLLED DOCUMENT.

DIMENSIONS:

mm

TOLERANCES UNLESS OTHERWISE SPECIFIED:

| | |
|--------|----|
| 0 PLC | ±- |
| 1 PLC | ±- |
| 2 PLC | ±- |
| 3 PLC | ±- |
| 4 PLC | ±- |
| ANGLES | ±- |
| FINISH | ±- |

MATERIAL SEE TABLE

FINISH SEE TABLE

DWN 07 SEP 2009

J. Haans

CHK 07 SEP 2009

J. Dittner

APVD 08 SEP 2009

D. Halberstadt

PRODUCT SPEC

108-19355

APPLICATION SPEC

114-19113

WEIGHT 0,007 gr

Customer Drawing

STE

TE Connectivity

NAME

RF SWITCH

SIZE

A3

CAGE CODE

00779

DRAWING NO

C=1551372

RESTRICTED TO

-

SCALE 20:1

SHEET 2 OF 3

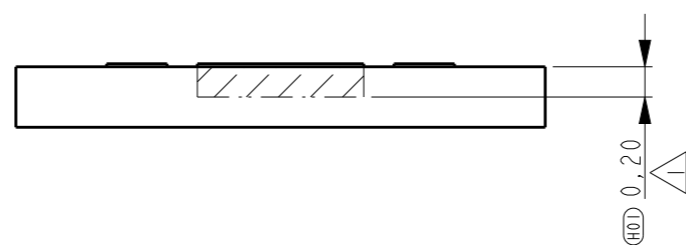
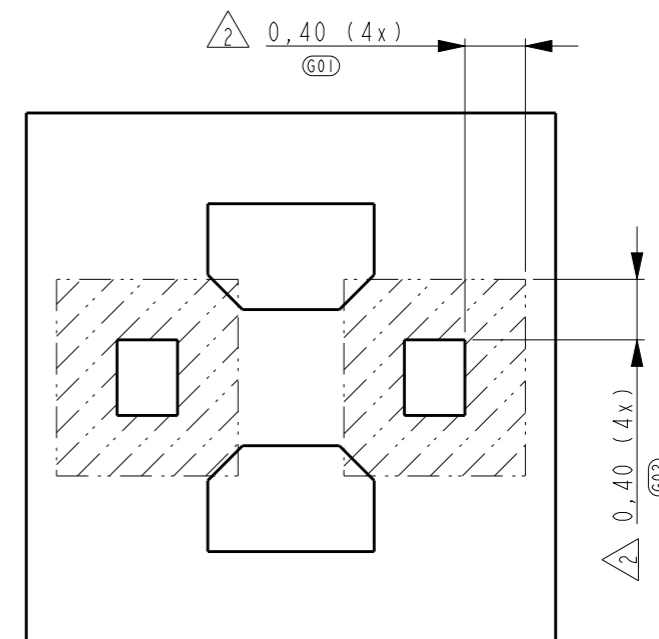
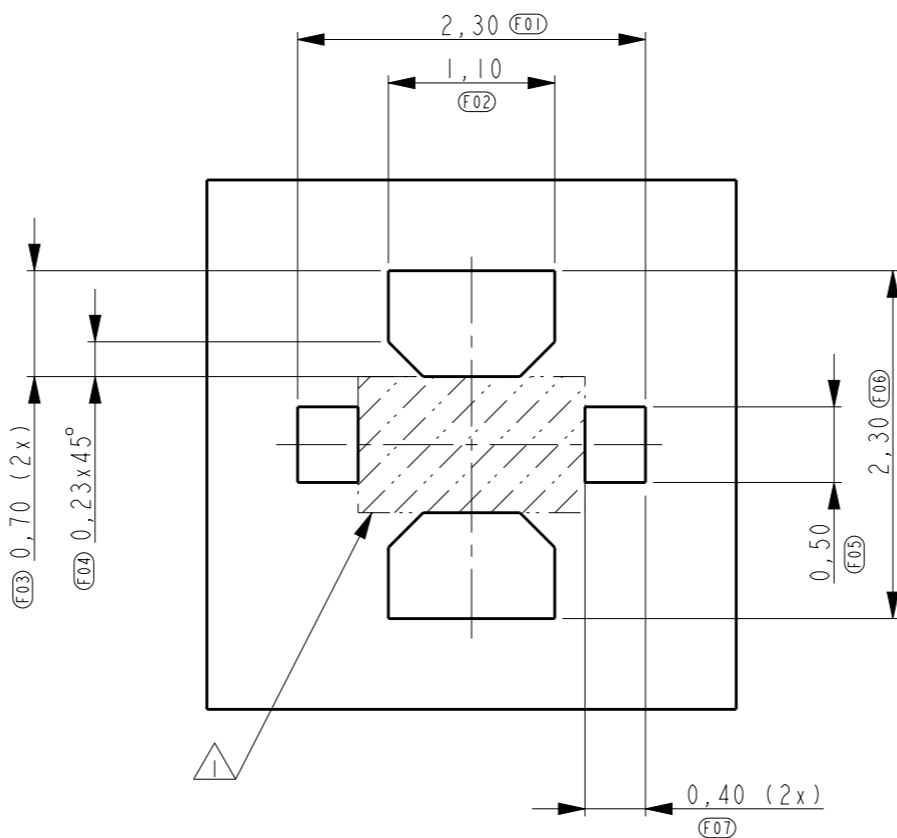
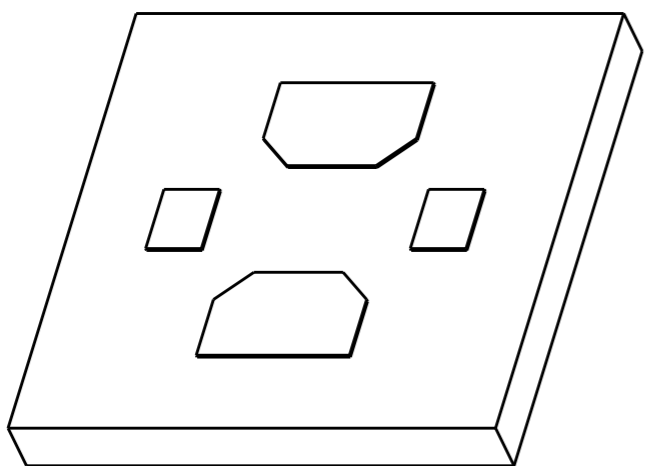
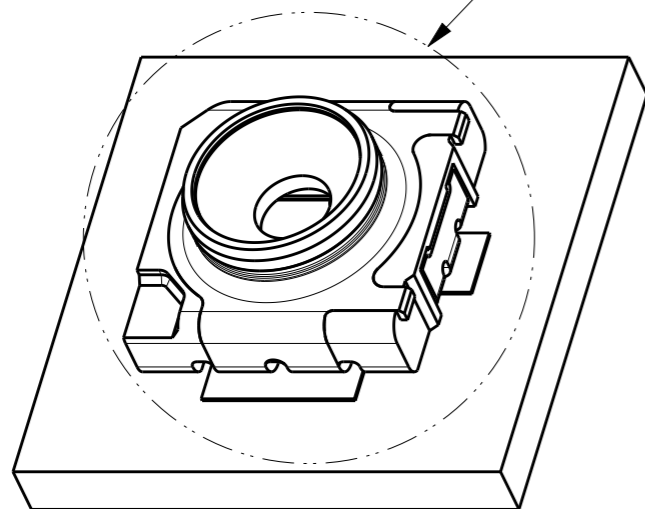
REV A7

1470-19 (3/11)

THIS DRAWING IS UNPUBLISHED. RELEASED FOR PUBLICATION
 © COPYRIGHT - BY - ALL RIGHTS RESERVED.

| LOC | DIST | REVISIONS | | | |
|-----|------|-------------|------|-----|------|
| P | LTR | DESCRIPTION | DATE | DWN | APVD |
| H | - | SEE SHEET 1 | - | - | - |

KEEP AREA FREE FROM DUST PARTICLES AS RESULT OF BOARD CUTTING ETC.



- △ NO COPPER PERMITTED UNDER THE SWITCH AT SPECIFIED DIMENSION. WHEN DEVIATED FROM DIMENSION: SIGNAL AND GROUND CONNECTIONS MUST BE DESIGNED TO MATCH THE 50 OHM IMPEDANCE.
- △ NO OTHER SIGNAL OR GROUND PATTERN ALLOWED WITHIN SPECIFIED AREA.

RECOMMENDED PCB LAYOUT

OBSOLETE

| | | | | |
|--|--|------------------------------------|-------------------------|------------|
| THIS DRAWING IS A CONTROLLED DOCUMENT. | | DWN 07 SEP 2009 J. Haans | TE Connectivity | |
| DIMENSIONS: mm | | CHK 07 SEP 2009 J. Dittner | | |
| TOLERANCES UNLESS OTHERWISE SPECIFIED: | | APVD 08 SEP 2009 D. Halberstadt | NAME RF SWITCH | |
| 0 PLC ±- | | PRODUCT SPEC 108-19355 | SIZE | |
| 1 PLC ±- | | APPLICATION SPEC 114-19113 | CAGE CODE A3 00779 | |
| 2 PLC ±- | | WEIGHT 0,007 gr | DRAWING NO C=1551372 | |
| 3 PLC ±- | | MATERIAL SEE TABLE | RESTRICTED TO | |
| 4 PLC ±- | | | - | |
| ANGLES ±- | | Customer Drawing | | SCALE 20:1 |
| FINISH SEE TABLE | | SHEET 3 OF 3 | | REV A7 |

X-ON Electronics

Largest Supplier of Electrical and Electronic Components

Click to view similar products for [RF Connectors / Coaxial Connectors](#) category:

Click to view products by [TE Connectivity](#) manufacturer:

Other Similar products are found below :

[8915-1511-000](#) [89674-0827](#) [6001-7071-019](#) [6002-7051-003](#) [6002-7551-202](#) [6059674-1](#) [619550-1](#) [630059-000](#) [M39030/3-01N](#) [6500-7071-046](#) [6769](#) [CX050L2AQ](#) [7002-1541-010](#) [7002-1542-011](#) [7004-1512-000](#) [7009-1511-004](#) [7010-1511-000](#) [7029-1511-060](#) [7101-1541-010](#) [7101-1571-002](#) [7105-1521-002](#) [7145-1521-002](#) [7203-1571-003](#) [7209-1511-011](#) [7210-1511-015](#) [7210-1511-019](#) [73137-5015](#) [73216-2241](#) [73404-2300](#) [7405-1521-005](#) [7405-1521-802](#) [8527](#) [8547](#) [FS11V](#) [877931](#) [9049-9513-000](#) [9074-9513-000](#) [9101-9573-002](#) [910A205F](#) [9130-9573-002](#) [PL11SC-026](#) [PL375-33](#) [PL40-5](#) [PL74C-221](#) [PL75MC-217](#) [PL803-7](#) [1200690078](#) [1-201144-1](#) [R107003010W](#) [R110A172100](#)