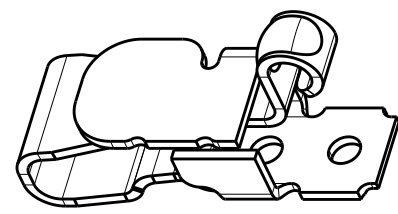
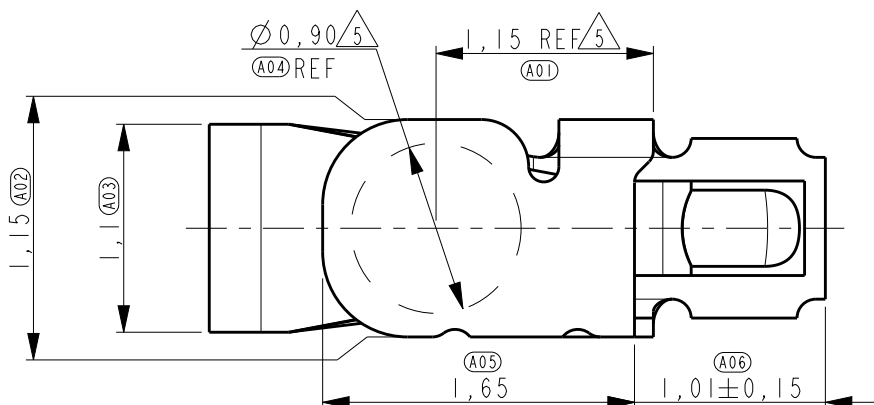
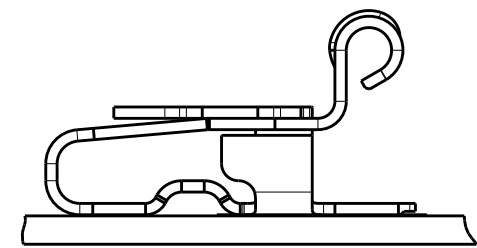


THIS DRAWING IS UNPUBLISHED. RELEASED FOR PUBLICATION  
 © COPYRIGHT - BY - ALL RIGHTS RESERVED.

LOC	DIST	REVISIONS			
P	LTR	DESCRIPTION	DATE	DWN	APVD
ES	00	A2	UPDATE ECR-14-004955	24JUL2014	T.Q W.K

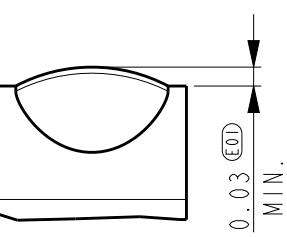
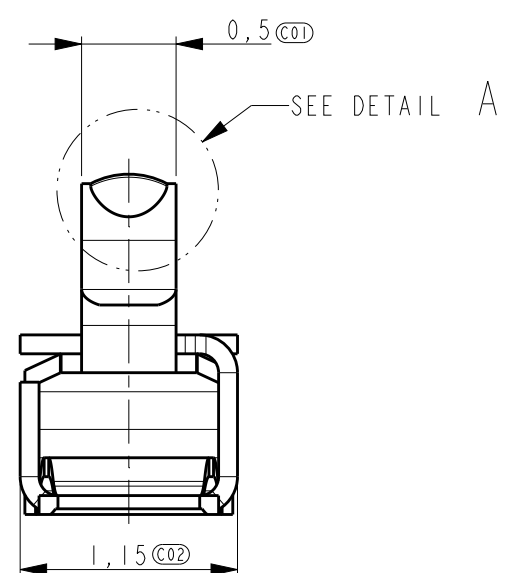
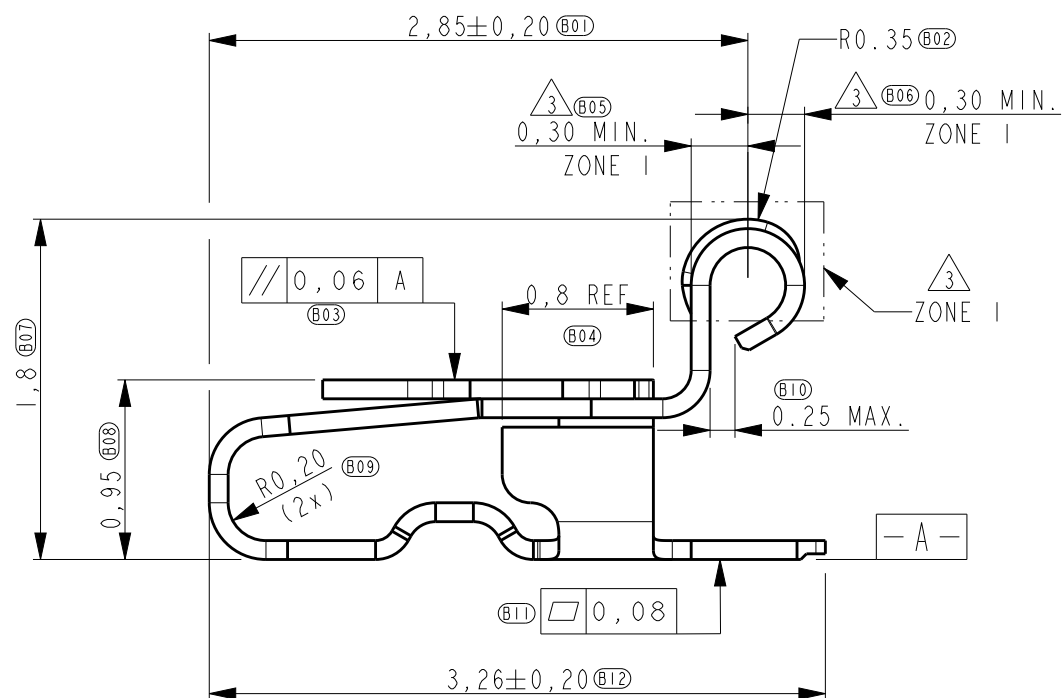


SCALE 15:1

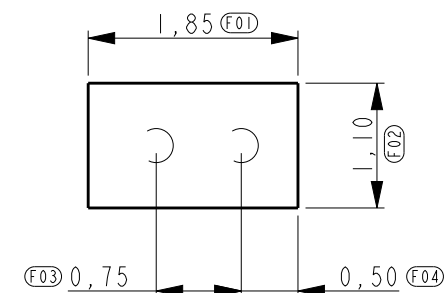


SCALE 15:1

REFERENCE VIEW FOR COMPONENT PLACEMENT

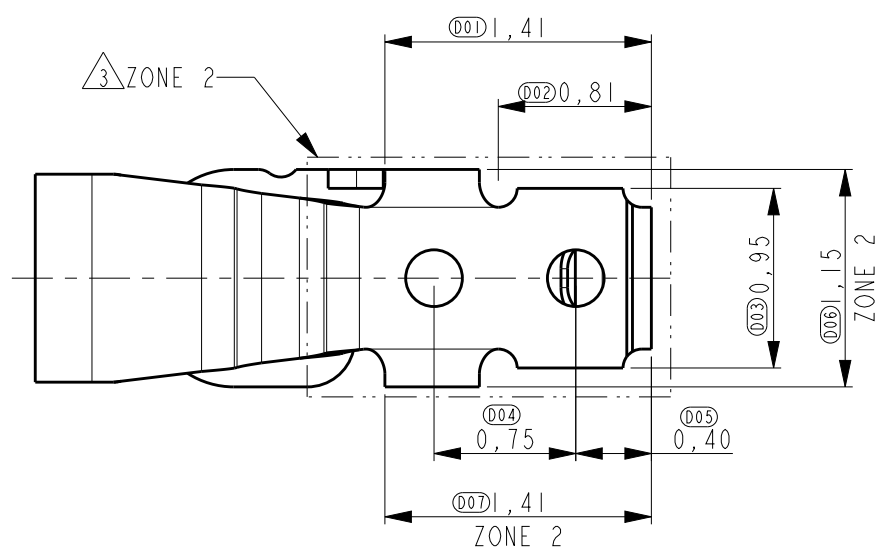


DETAIL A  
SCALE 50:1



SCALE 15:1

RECOMMENDED PWB LAY-OUT(±0.05)  
 DASHED CIRCLES ARE THE LOCATION OF THE SPRING FINGER BOTTOM HOLES

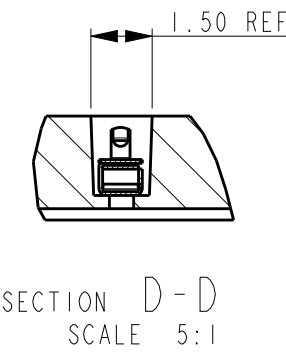
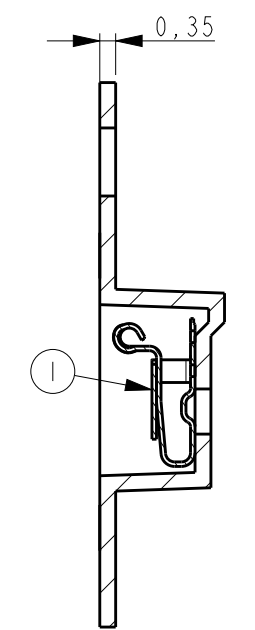
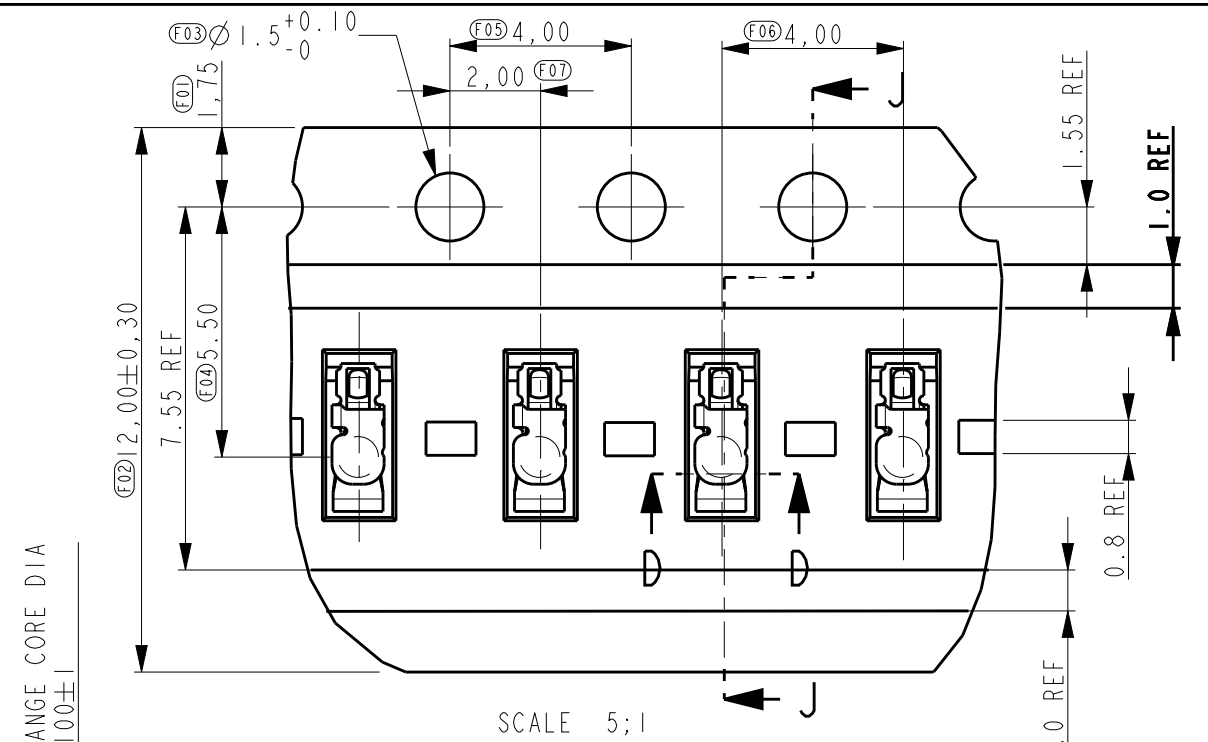


- 1 PART NUMBER: 1551572-5 AS SHOWN.
- 2 MATERIAL: STAINLESS STEEL.
- 3 PLATING: 1,3um MIN. NICKEL UNDERLAYER ALL OVER  
 ZONE 1: 0,30um MIN. GOLD  
 ZONE 2: 0,01-0,2um GOLD FLASH
- 4 NORMAL FORCE: 0.6±0.2N AT THE NORMAL HEIGHT 1.2MM.
- 5 INDICATED SURFACE TO BE USED AS PICK AND PLACE SURFACE.

THIS DRAWING IS A CONTROLLED DOCUMENT.		DWN 06July2010 Tony Zhang	TE Connectivity	
DIMENSIONS: mm		CHK 06July2010 Xiang Xu		
TOLERANCES UNLESS OTHERWISE SPECIFIED:		APVD 06July2010 Steven Yao	NAME SPRING FINGER H=1,8	
0 PLC ±0.2		PRODUCT SPEC 108-115008	RESTRICTED TO	
1 PLC ±0.1		APPLICATION SPEC	SIZE A3	CAGE CODE 00779
2 PLC ±0.1		WEIGHT	DRAWING NO C=1551572	SCALE 25:1
3 PLC ±0.05		CUSTOMER DRAWING	SHEET 1	OF 2
4 PLC ±			REV A2	
ANGLES ±5°				
MATERIAL				
FINISH				

THIS DRAWING IS UNPUBLISHED. RELEASED FOR PUBLICATION  
 © COPYRIGHT - BY - ALL RIGHTS RESERVED.

LOC	DIST	REVISIONS			
P	LTR	DESCRIPTION	DATE	DWN	APVD
ES	00	SEE SHEET 1	-	-	-

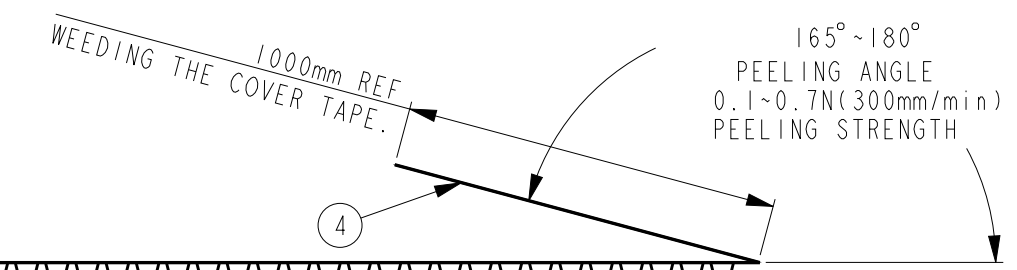
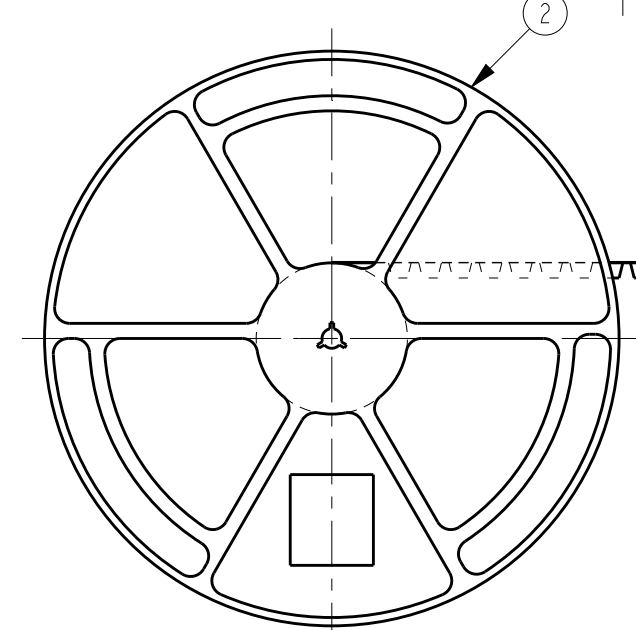
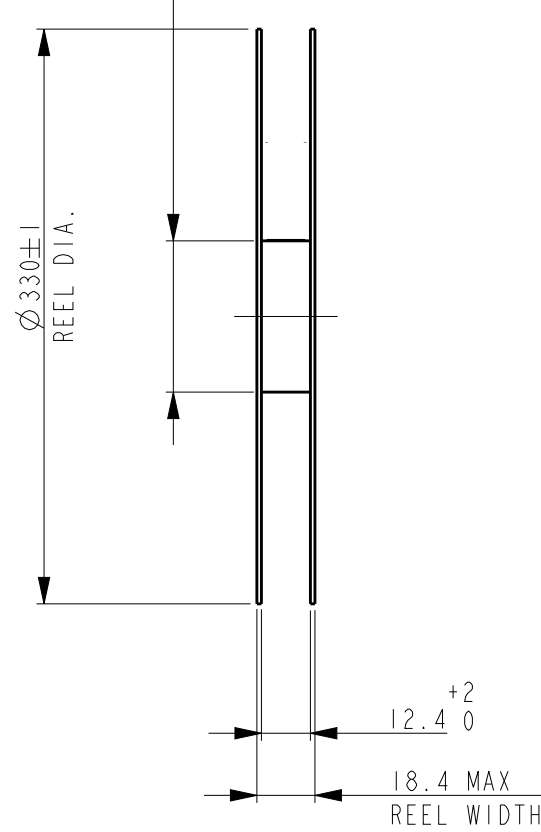


FRANGE CORE DIA  
 Ø 100 ± 1

SCALE 5:1

SECTION J-J

SECTION D-D  
 SCALE 5:1



1	COVER TAPE (HEAT SEALING)	4
1	EMBOSS	3
1	PLASTIC REEL	2
6000	SPRING FINGER	1
QTY	DESCRIPTION	ITEM

300 REF WITHOUT CHARGE      WITH PRODUCT CHARGE 6000EA/IREEL      WITHOUT CHARGE 100~125HOLES

PACKAGING REEL AS SHOWN

THIS DRAWING IS A CONTROLLED DOCUMENT.		DWN		<b>TE Connectivity</b>	
DIMENSIONS: mm		CHK			
TOLERANCES UNLESS OTHERWISE SPECIFIED:		APVD			
0 PLC ±0.2 1 PLC ±0.1 2 PLC ±0.1 3 PLC ±0.05 4 PLC ± ANGLES ±5°		PRODUCT SPEC			
MATERIAL		FINISH		NAME SPRING FINGER H=1,8	
				SIZE CAGE CODE DRAWING NO RESTRICTED TO	
				A3 00779 C=1551572	
		CUSTOMER DRAWING		SCALE 25:1 SHEET 2 OF 2 REV A2	

## X-ON Electronics

Largest Supplier of Electrical and Electronic Components

*Click to view similar products for [EMI Gaskets, Sheets, Absorbers & Shielding](#) category:*

*Click to view products by [TE Connectivity](#) manufacturer:*

Other Similar products are found below :

[8101010140](#) [8563-0090-89](#) [1194-7.7X10](#) [1245-34"X18YD](#) [1267](#) [1345-3/8x18yrd](#) [1380-2"X8"](#) [1554907-1](#) [2320002000](#) [2320014700](#)  
[SG293037DS](#) [ST005PCN50](#) [55005107](#) [38M4040AA0606](#) [46J5N02020.NN00](#) [1125-8X10](#) [1126X1"](#) [1170-3/4X18YDS](#) [1170-7.7x10](#) [1183-](#)  
[12"X18YD](#) [6-34T-BD-0.315](#) [SG125187D-24](#) [SG125250R-24](#) [SG187375R-24](#) [SG284050DS](#) [8402010540](#) [KIT TECH CLIP](#) [1194](#) [10-40450-](#)  
[28S](#) [1245](#) [1267-1/2"x18yd](#) [46J8501020.NN00](#) [1170-1/4"x18yd](#) [AL-36FR-1x54.5](#) [3013310A](#) [1194X1"](#) [3020604](#) [3021302](#) [3031313](#) [260709](#)  
[3021310](#) [6-34UT-070-BD-16](#) [303076048](#) [46J5N03020.NN00](#) [30206025](#) [30395641](#) [3030403](#) [3690103020](#) [HNY-LT15CU4241](#) [1170-](#)  
[3/8"x18yd](#)