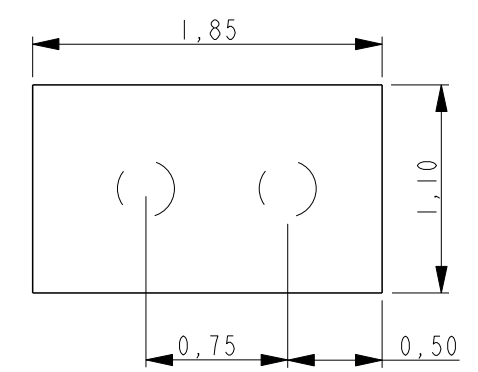
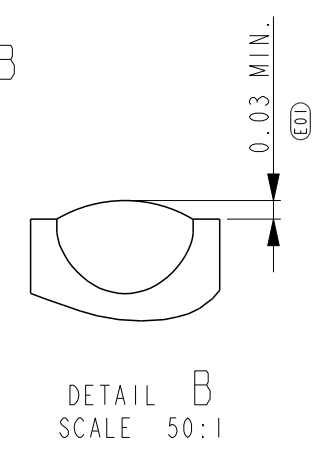
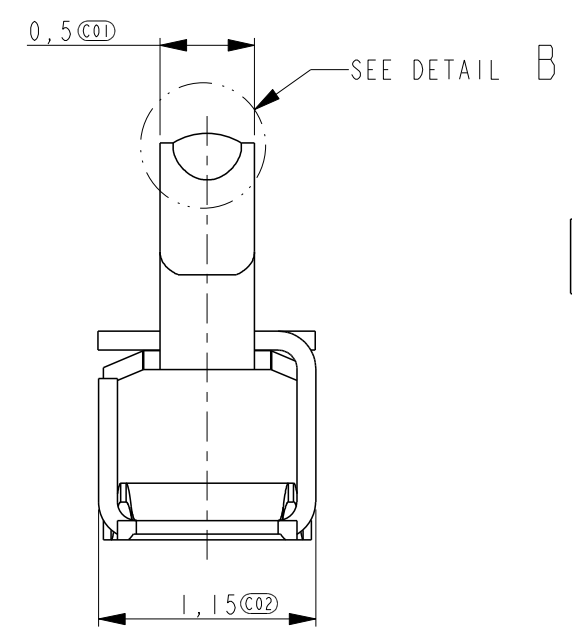
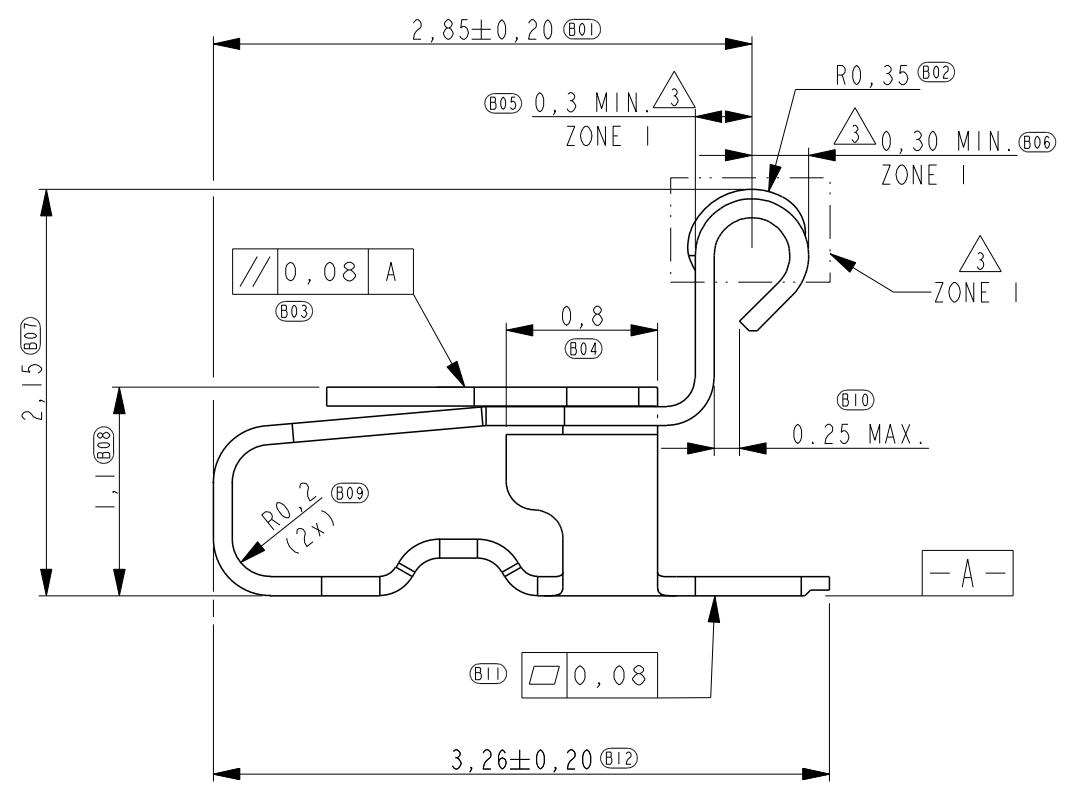
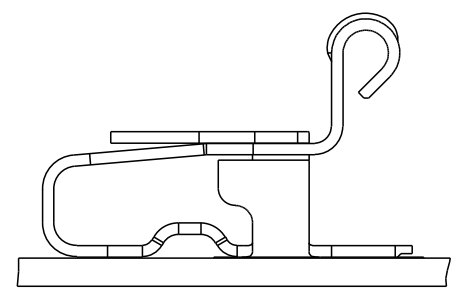
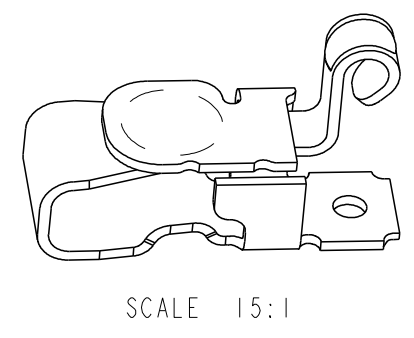
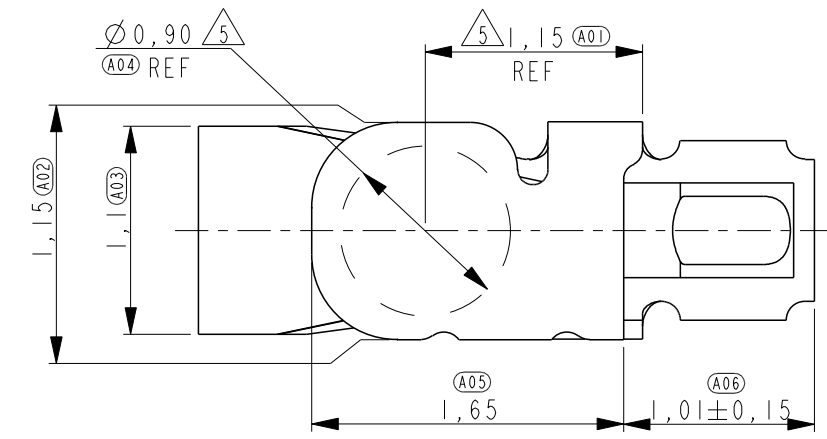
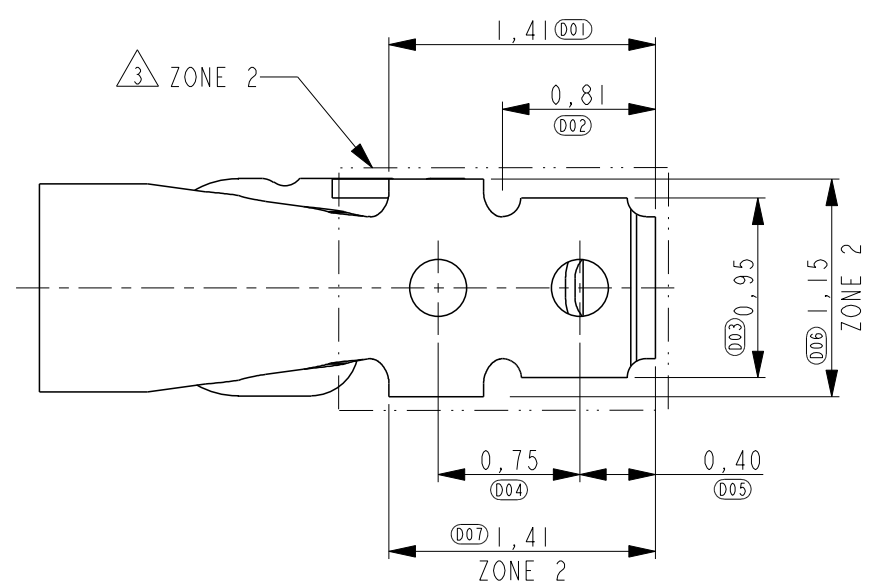



THIS DRAWING IS UNPUBLISHED. RELEASED FOR PUBLICATION
 © COPYRIGHT - ALL RIGHTS RESERVED.

LOC	DIST	REVISIONS				
P	LTR	DESCRIPTION	DATE	DWN	APVD	
ES	00	B1	UPDATED ECR-14-004955	22JUL2014	T.Q W.H	



- 1 PART NUMBER: 1551573-5 AS SHOWN.
- 2 MATERIAL: STAINLESS STEEL.
- 3 PLATING: 1,3um MIN. NICKEL UNDERLAYER ALL OVER
 ZONE 1: 0,50um MIN. GOLD
 ZONE 2: 0,05-0,3um GOLD FLASH
- 4 NORMAL FORCE 0.6±0.2N AT NOMINAL HEIGHT 1.6MM.
- 5 INDICATED SURFACE TO BE USED AS PICK AND PLACE SURFACE.



THIS DRAWING IS A CONTROLLED DOCUMENT.		DWN	13 JUN 2010	 TE Connectivity	NAME SPRING FINGER H=2,15
DIMENSIONS: mm		CHK	13 JUN 2010		
TOLERANCES UNLESS OTHERWISE SPECIFIED:		APVD	13 JUN 2010		
0 PLC ±0.2 1 PLC ±0.1 2 PLC ±0.1 3 PLC ±0.05 4 PLC ± ANGLES ±5°		PRODUCT SPEC	108-115008		
MATERIAL		APPLICATION SPEC		SIZE	A3
FINISH		WEIGHT		CAGE CODE	C=1551573
2 3		CUSTOMER DRAWING		DRAWING NO	RESTRICTED TO
		SCALE 25:1		SHEET 1 OF 2	REV B1

THIS DRAWING IS UNPUBLISHED.

RELEASED FOR PUBLICATION

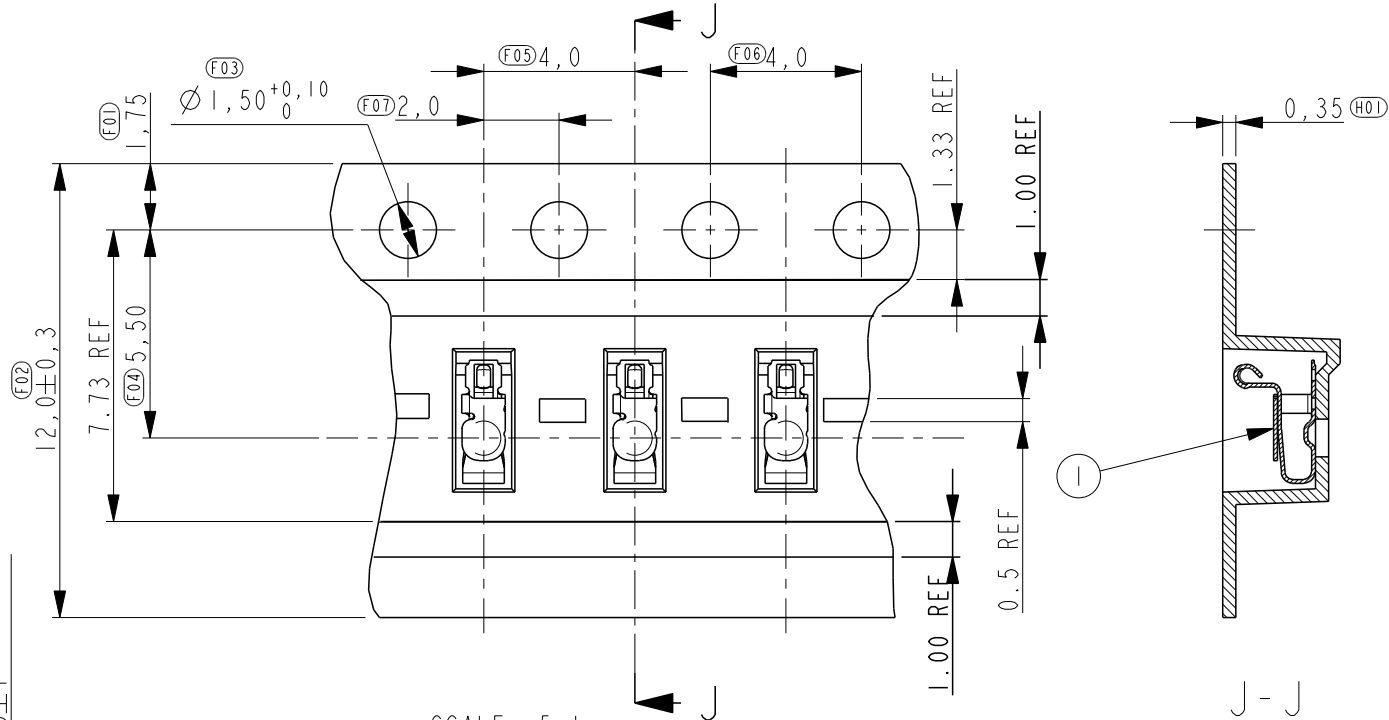
© COPYRIGHT -

ALL RIGHTS RESERVED.

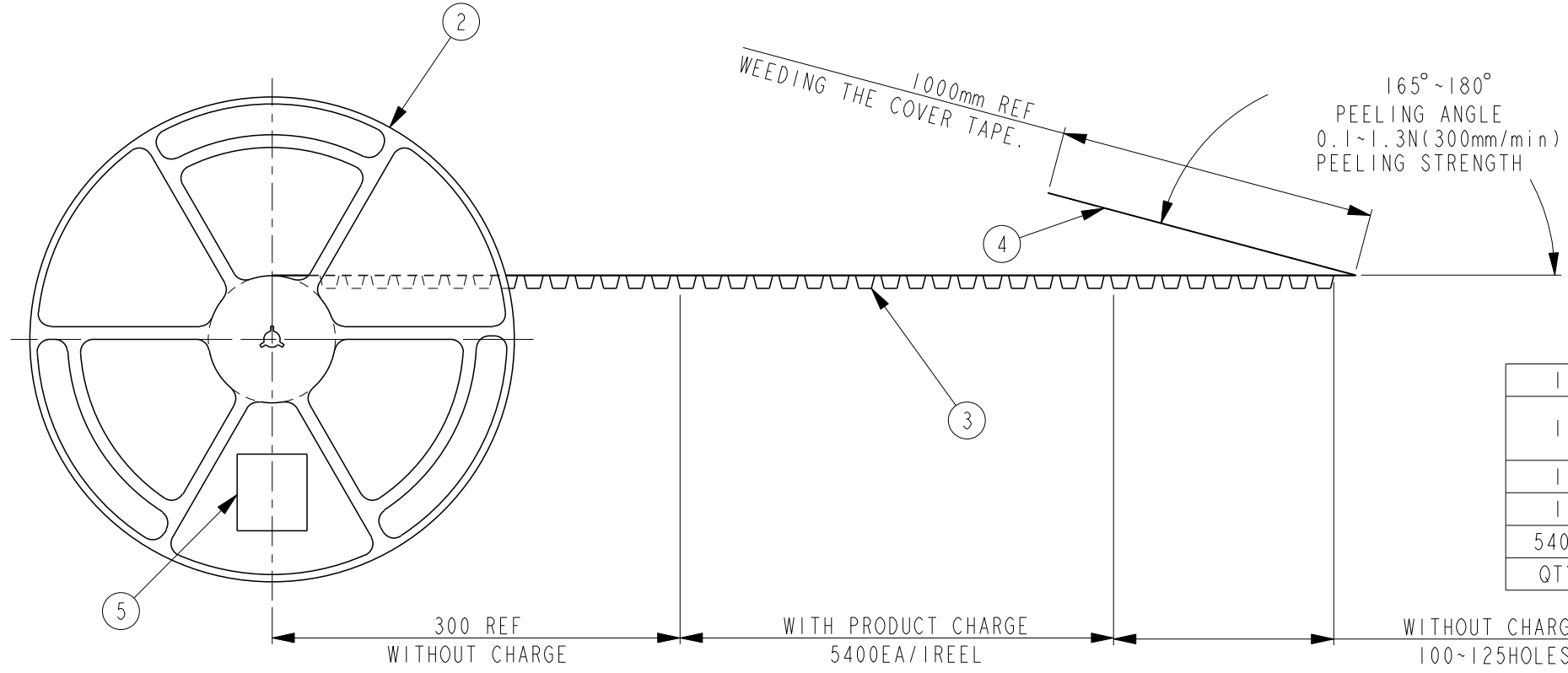
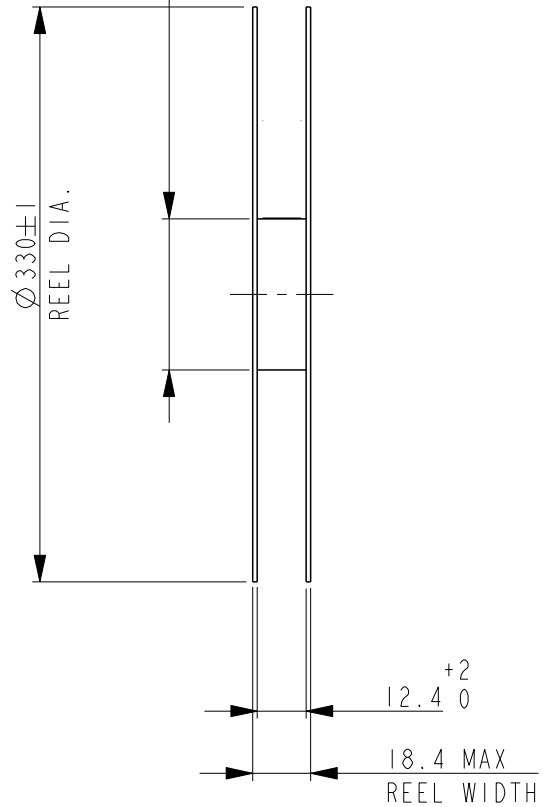
LOC ES DIST 00

REVISIONS

P	LTR	DESCRIPTION	DATE	DWN	APVD
-	-	SEE SHEET 1	-	-	-



SCALE 5:1



1	LABEL	5
1	COVER TAPE (HEAT SEALING)	4
1	EMBOSS	3
1	PLASTIC REEL	2
5400	SPRING FINGER	1
QTY	DESCRIPTION	ITEM

THIS DRAWING IS A CONTROLLED DOCUMENT.

DIMENSIONS:	TOLERANCES UNLESS OTHERWISE SPECIFIED:
mm	
	0 PLC ±0.2
	1 PLC ±0.1
	2 PLC ±0.1
	3 PLC ±0.05
	4 PLC ±
	ANGLES ±5°
MATERIAL	FINISH

DWN
CHK
APVD
PRODUCT SPEC
APPLICATION SPEC
WEIGHT
CUSTOMER DRAWING

STE TE Connectivity

NAME			
SPRING FINGER H=2,15			
SIZE	CAGE CODE	DRAWING NO	RESTRICTED TO
A3		C-1551573	-
SCALE 5:1		SHEET 2 OF 2	REV B1

X-ON Electronics

Largest Supplier of Electrical and Electronic Components

Click to view similar products for [EMI Gaskets, Sheets, Absorbers & Shielding](#) category:

Click to view products by [TE Connectivity](#) manufacturer:

Other Similar products are found below :

[8101010140](#) [8563-0090-89](#) [1194-7.7X10](#) [1245-34"X18YD](#) [1267](#) [1345-3/8x18yrd](#) [1380-2"X8"](#) [1554907-1](#) [2320002000](#) [2320014700](#)
[SG293037DS](#) [ST005PCN50](#) [55005107](#) [38M4040AA0606](#) [46J5N02020.NN00](#) [1125-8X10](#) [1126X1"](#) [1170-3/4X18YDS](#) [1170-7.7x10](#) [1183-](#)
[12"X18YD](#) [6-34T-BD-0.315](#) [SG125187D-24](#) [SG125250R-24](#) [SG187375R-24](#) [SG284050DS](#) [8402010540](#) [KIT TECH CLIP](#) [1194](#) [10-40450-](#)
[28S](#) [1245](#) [1267-1/2"x18yd](#) [46J8501020.NN00](#) [1170-1/4"x18yd](#) [AL-36FR-1x54.5](#) [3013310A](#) [1194X1"](#) [3020604](#) [3021302](#) [3031313](#) [260709](#)
[3021310](#) [6-34UT-070-BD-16](#) [303076048](#) [46J5N03020.NN00](#) [30206025](#) [30395641](#) [3030403](#) [3690103020](#) [HNY-LT15CU4241](#) [1170-](#)
[3/8"x18yd](#)