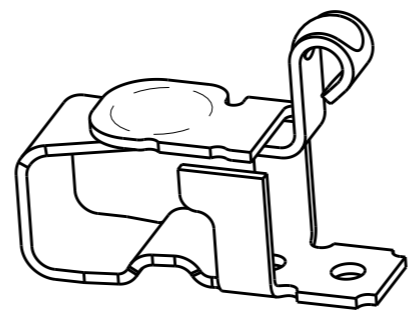
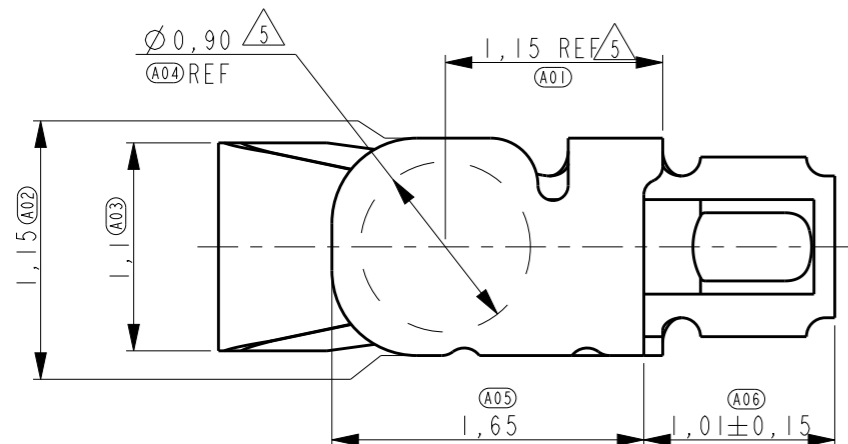
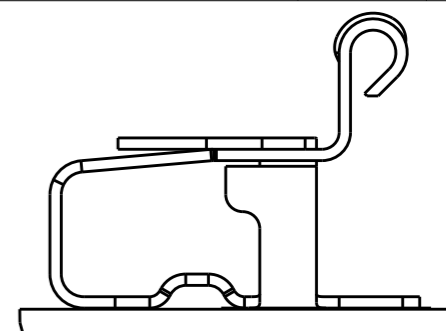


THIS DRAWING IS UNPUBLISHED. RELEASED FOR PUBLICATION. ALL RIGHTS RESERVED.

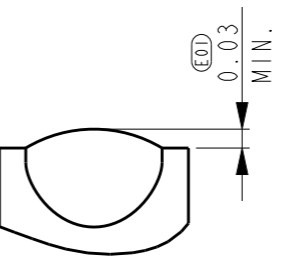
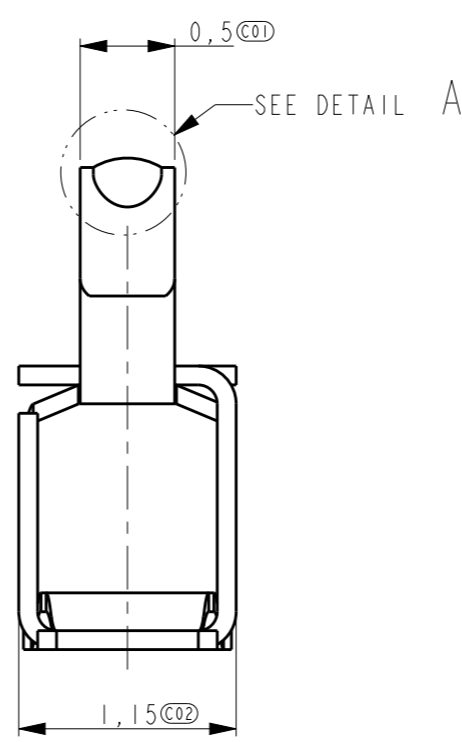
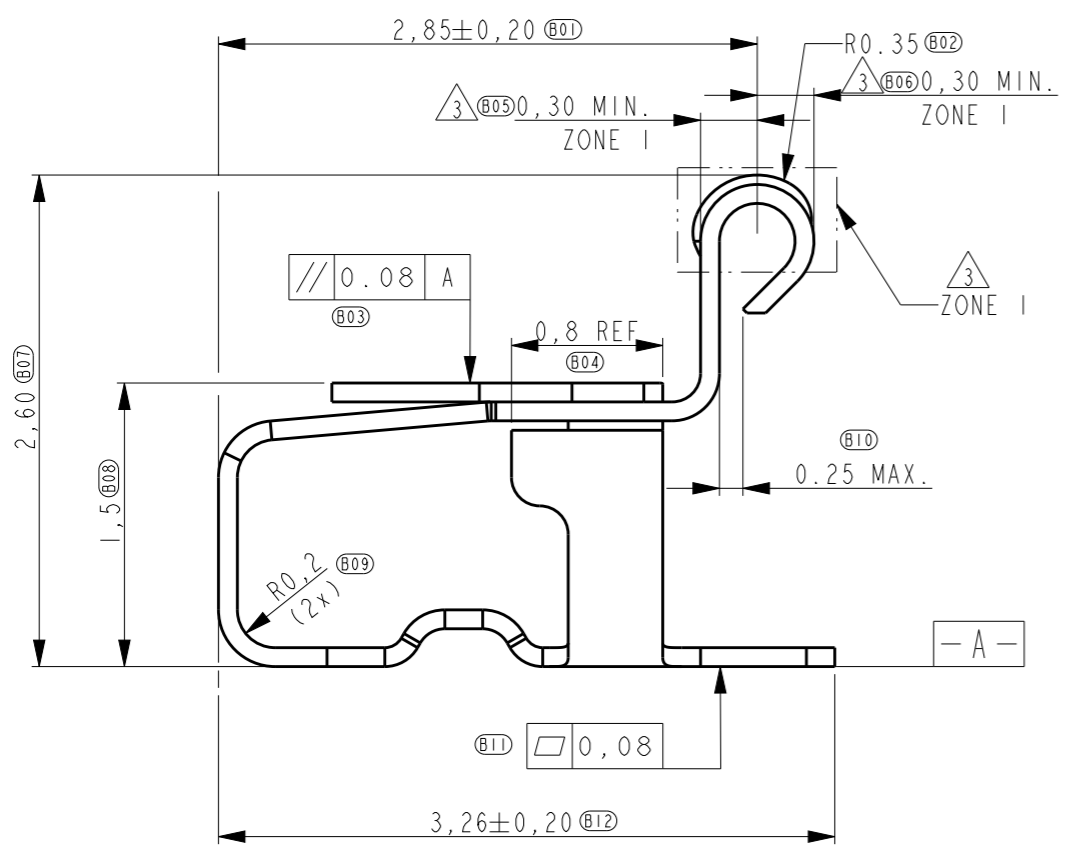
LOC	DIST	REVISIONS			
P	LTR	DESCRIPTION	DATE	DWN	APVD
ES	00	B1	UPDATED ECR-14-004955	24JUL2014	T.Q W.H



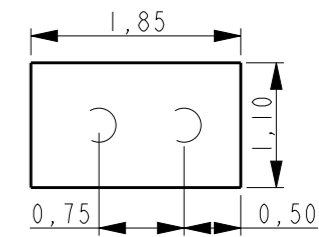
SCALE 15:1



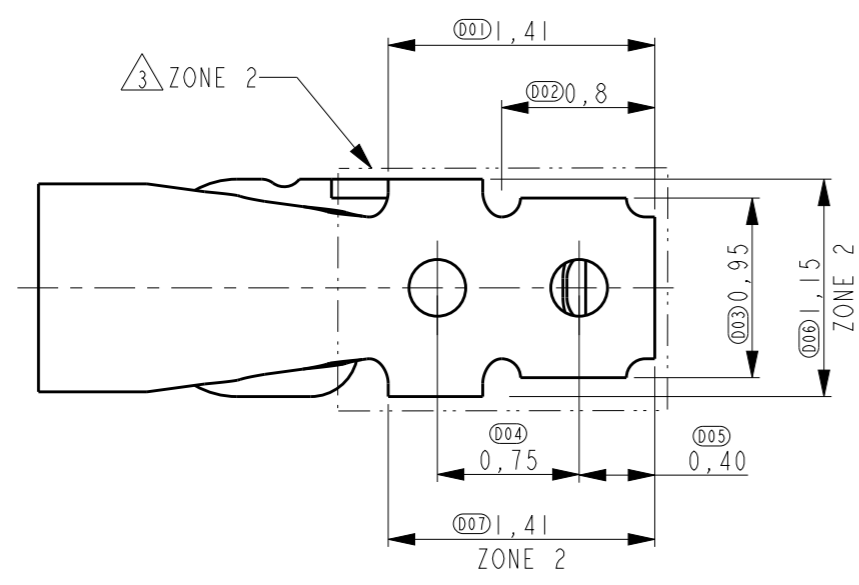
SCALE 15:1  
REFERENCE VIEW FOR  
COMPONENT PLACEMENT



DETAIL A  
SCALE 50:1



SCALE 15:1  
RECOMMENDED PWB LAY-OUT (±0.05)  
DASHED CIRCLES ARE THE LOCATION  
OF THE SPRING FINGER BOTTOM HOLES

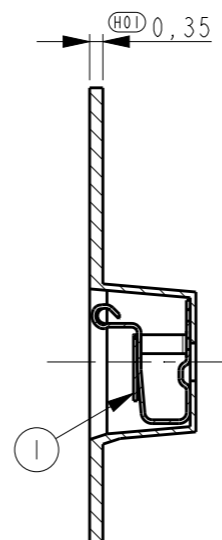
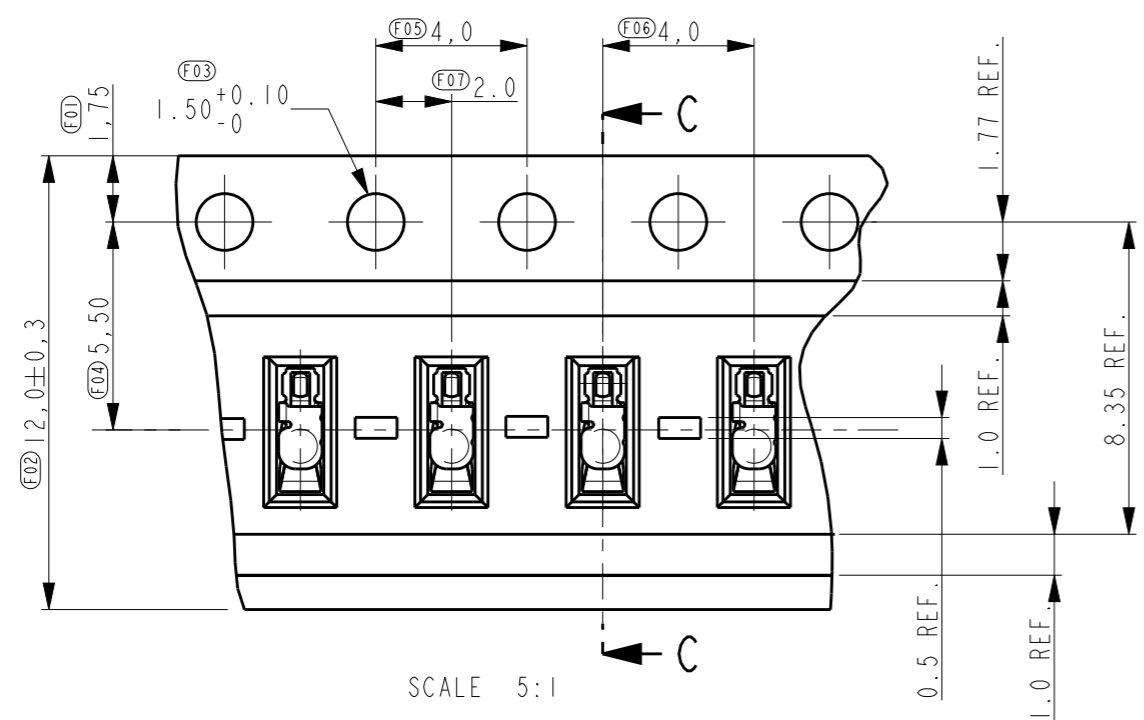


- 1 PART NUMBER: 1551574-5 AS SHOWN.
- 2 MATERIAL: STAINLESS STEEL.
- 3 PLATING: 1,3um MIN. NICKEL UNDERLAYER ALL OVER  
ZONE 1: 0,50um MIN. GOLD  
ZONE 2: 0.05-0.3um GOLD FLASH
- 4 NORMAL FORCE 0.6±0.2N AT NOMINAL HEIGHT 2.0MM.
- 5 INDICATED SURFACE TO BE USED AS PICK AND PLACE SURFACE.

THIS DRAWING IS A CONTROLLED DOCUMENT.		DWN 22-JUN-2010 Tony Zhang		TE Connectivity	
DIMENSIONS: mm		CHK 22-JUN-2010 Harada Yohei			
TOLERANCES UNLESS OTHERWISE SPECIFIED:		APVD 22-JUN-2010 Steven Yao		NAME SPRING FINGER H=2.60mm	
0 PLC ±0.2		PRODUCT SPEC 108-115008		SIZE A3	
1 PLC ±0.1		APPLICATION SPEC -		CAGE CODE C-1551574	
2 PLC ±0.1		WEIGHT 0.0078g		DRAWING NO -	
3 PLC ±0.05		CUSTOMER DRAWING		RESTRICTED TO -	
4 PLC ±-		SCALE 25:1		SHEET 1 OF 2	
ANGLES ±5°		FINISH -		REV B1	
MATERIAL -		FINISH -			

THIS DRAWING IS UNPUBLISHED. RELEASED FOR PUBLICATION  
 © COPYRIGHT - ALL RIGHTS RESERVED.

LOC	DIST	REVISIONS			
P	LTR	DESCRIPTION	DATE	DWN	APVD
ES	-	SEE SHEET 1	-	-	-



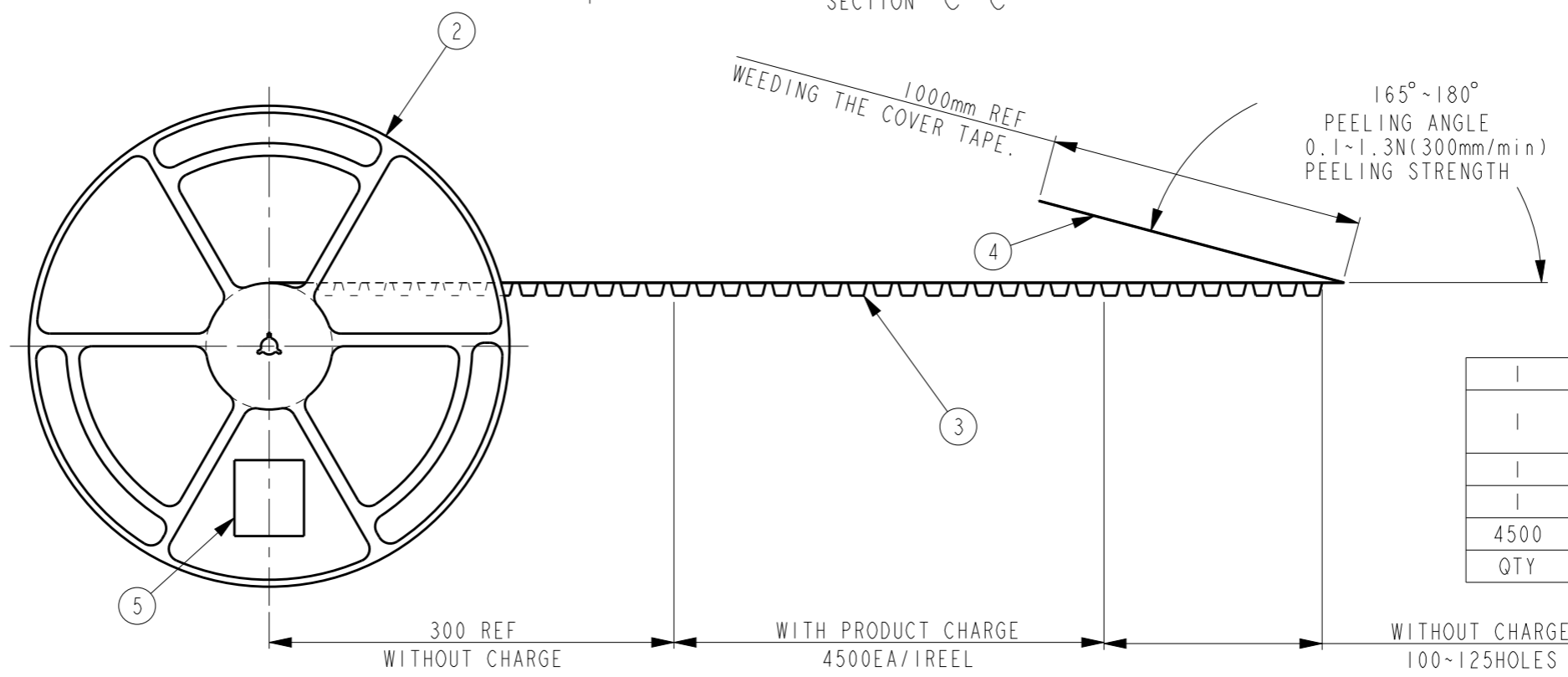
SCALE 5:1

SECTION C-C

FRANGE CORE DIA  
 Ø 100 ± 1

Ø 330 ± 1  
 REEL DIA.

+2  
 12.4 0  
 18.4 MAX  
 REEL WIDTH



1	LABEL	(5)
1	COVER TAPE (HEAT SEALING)	(4)
1	EMBOSS	(3)
1	PLASTIC REEL	(2)
4500	SPRING FINGER	(1)
QTY	DESCRIPTION	ITEM

THIS DRAWING IS A CONTROLLED DOCUMENT.		DWN	<b>STE</b> TE Connectivity	
DIMENSIONS: mm		CHK		
TOLERANCES UNLESS OTHERWISE SPECIFIED:		APVD	NAME	
0 PLC ±0.2		PRODUCT SPEC	SPRING FINGER	
1 PLC ±0.1		APPLICATION SPEC	H=2.60mm	
2 PLC ±0.1		WEIGHT	SIZE	RESTRICTED TO
3 PLC ±0.05		CUSTOMER DRAWING	A3	-
4 PLC ±		SCALE	C=1551574	SCALE 5:1
ANGLES ±5°		SHEET	2 OF 2	REV B1
FINISH		REV		

## X-ON Electronics

Largest Supplier of Electrical and Electronic Components

*Click to view similar products for [EMI Gaskets, Sheets, Absorbers & Shielding](#) category:*

*Click to view products by [TE Connectivity](#) manufacturer:*

Other Similar products are found below :

[8101010140](#) [8563-0090-89](#) [1194-7.7X10](#) [1245-34"X18YD](#) [1267](#) [1345-3/8x18yrd](#) [1380-2"X8"](#) [1554907-1](#) [2320002000](#) [2320014700](#)  
[SG293037DS](#) [ST005PCN50](#) [55005107](#) [38M4040AA0606](#) [46J5N02020.NN00](#) [1125-8X10](#) [1126X1"](#) [1170-3/4X18YDS](#) [1170-7.7x10](#) [1183-](#)  
[12"X18YD](#) [6-34T-BD-0.315](#) [SG125187D-24](#) [SG125250R-24](#) [SG187375R-24](#) [SG284050DS](#) [8402010540](#) [KIT TECH CLIP](#) [1194](#) [10-40450-](#)  
[28S](#) [1245](#) [1267-1/2"x18yd](#) [46J8501020.NN00](#) [1170-1/4"x18yd](#) [AL-36FR-1x54.5](#) [3013310A](#) [1194X1"](#) [3020604](#) [3021302](#) [3031313](#) [260709](#)  
[3021310](#) [6-34UT-070-BD-16](#) [303076048](#) [46J5N03020.NN00](#) [30206025](#) [30395641](#) [3030403](#) [3690103020](#) [HNY-LT15CU4241](#) [1170-](#)  
[3/8"x18yd](#)