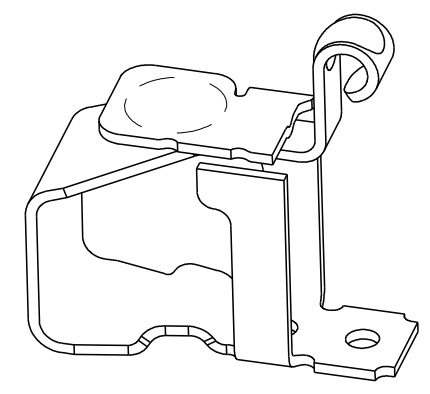
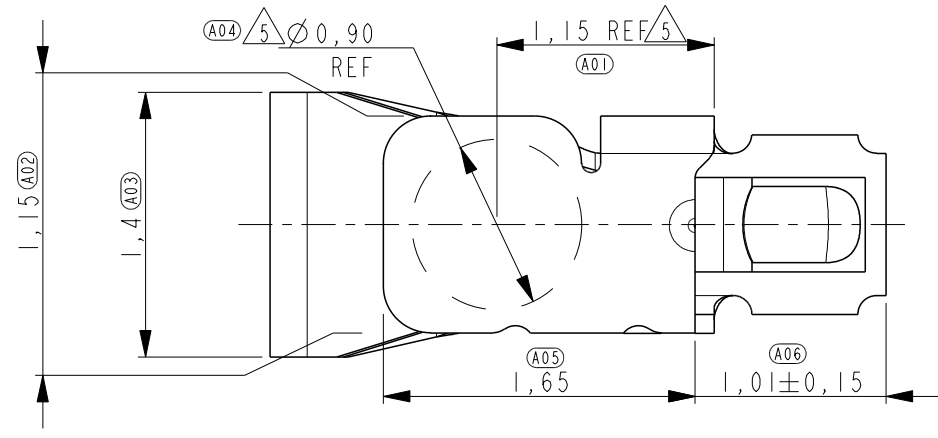


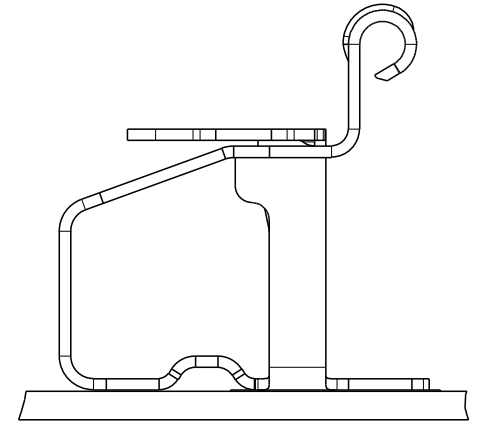
THIS DRAWING IS UNPUBLISHED. RELEASED FOR PUBLICATION  
 © COPYRIGHT - BY - ALL RIGHTS RESERVED.

LOC ES DIST 00

REVISIONS					
P	LTR	DESCRIPTION	DATE	DWN	APVD
	A	NEW RELEASE	7DEC2012	T.Z	S.Y
	A1	UPDATED PER ECR-14-004955	27JUL2014	T.Q	W.K

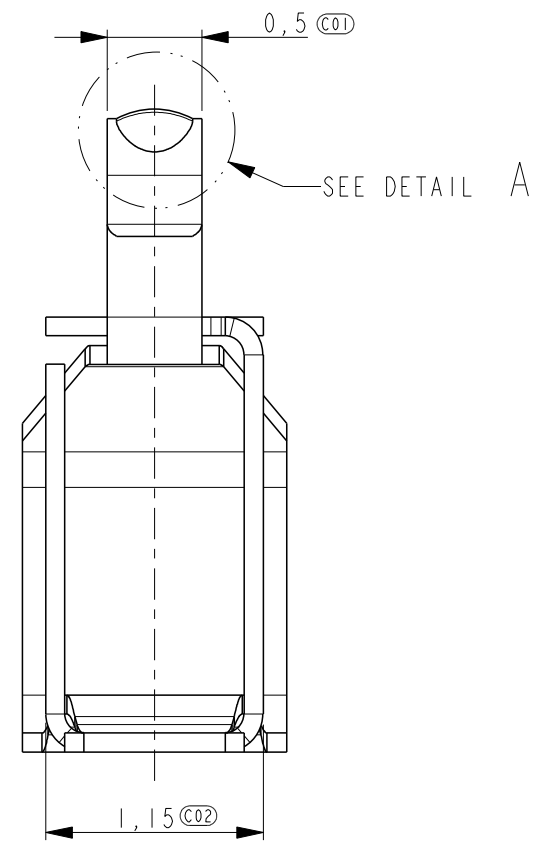
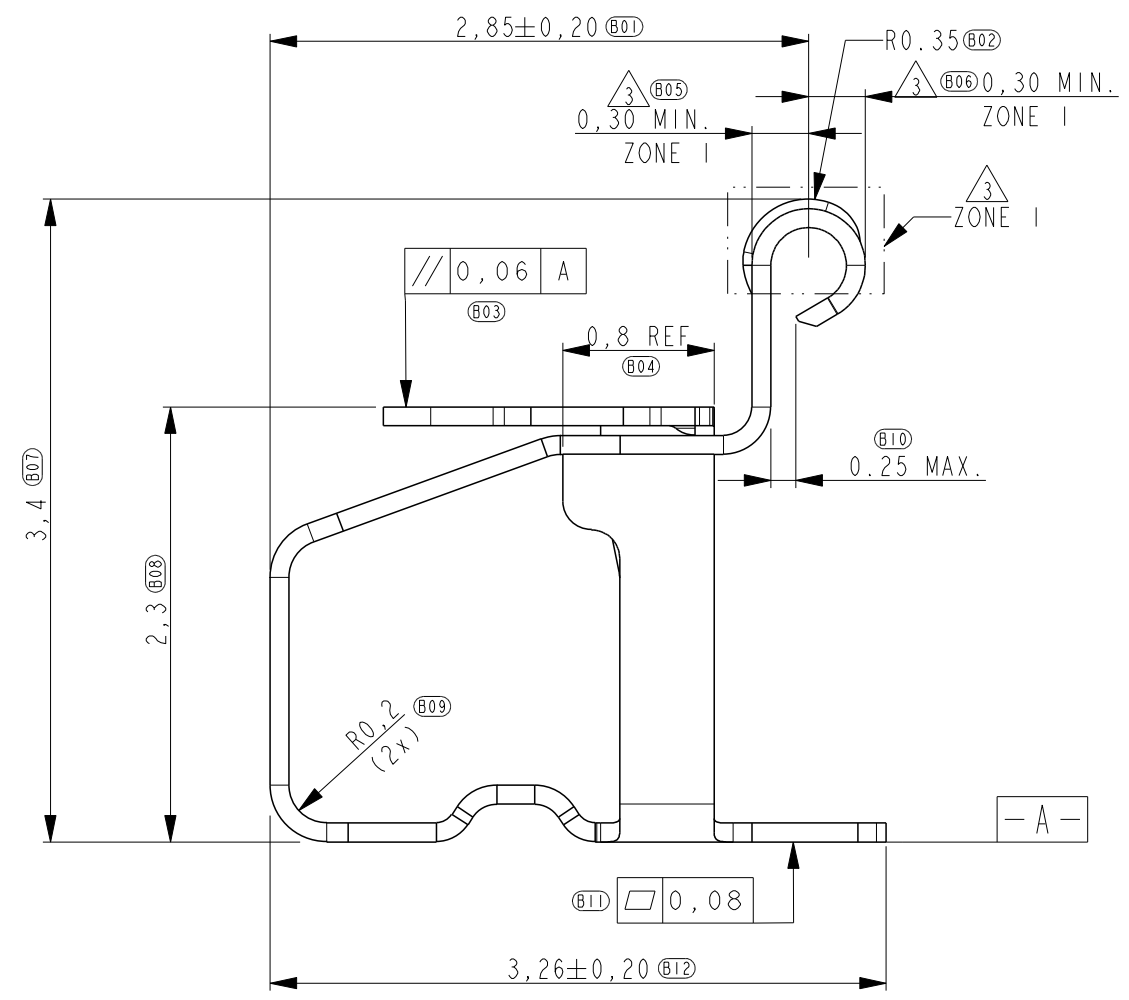


SCALE 15:1

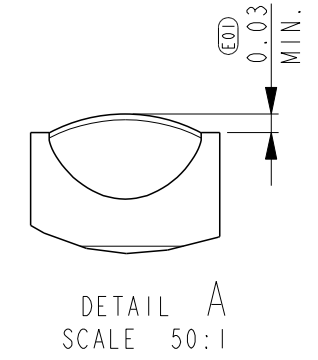


SCALE 15:1

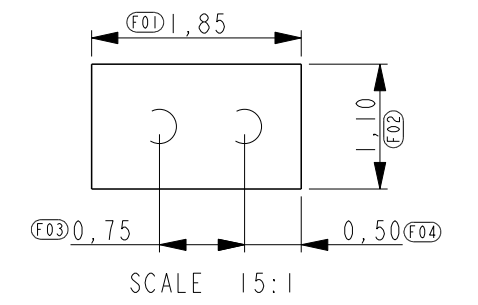
REFERENCE VIEW FOR COMPONENT PLACEMENT



SEE DETAIL A



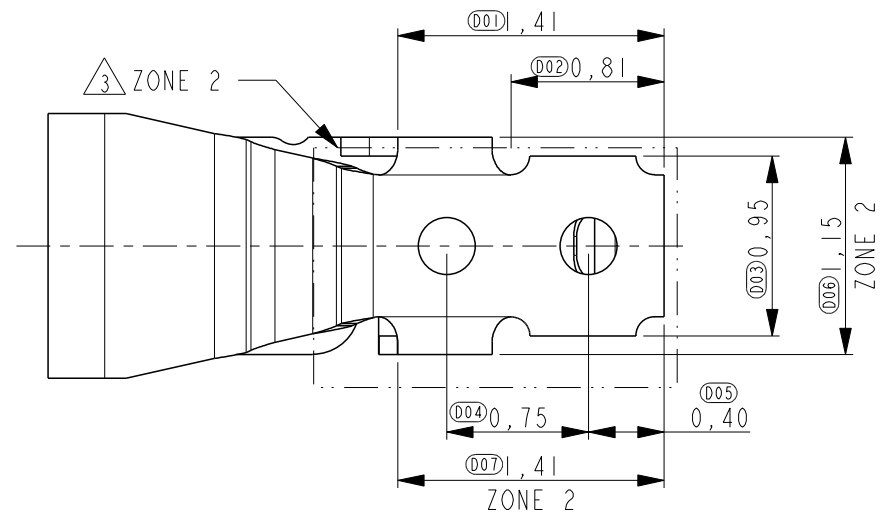
DETAIL A SCALE 50:1



SCALE 15:1

RECOMMENDED PWB LAY-OUT (±0.05)  
 DASHED CIRCLES ARE THE LOCATION OF THE SPRING FINGER BOTTOM HOLES

- 1 PART NUMBER: 1551576-5 AS SHOWN.
- 2 MATERIAL: STAINLESS STEEL.
- 3 PLATING: 1,3um MIN. NICKEL UNDERLAYER ALL OVER  
 ZONE 1: 0,30um MIN. GOLD  
 ZONE 2: 0,01-0,2um GOLD FLASH
- 4 NORMAL FORCE: 0.6±0.2N AT NORMAL HEIGHT 2.8MM.
- 5 INDICATED SURFACE TO BE USED AS PICK AND PLACE SURFACE.



THIS DRAWING IS A CONTROLLED DOCUMENT.

DIMENSIONS:	TOLERANCES UNLESS OTHERWISE SPECIFIED:
mm	
0 PLC	±0.2
1 PLC	±0.1
2 PLC	±0.1
3 PLC	±0.05
4 PLC	±
ANGLES	±5°
MATERIAL	FINISH

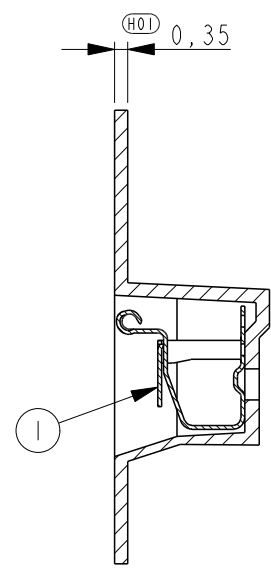
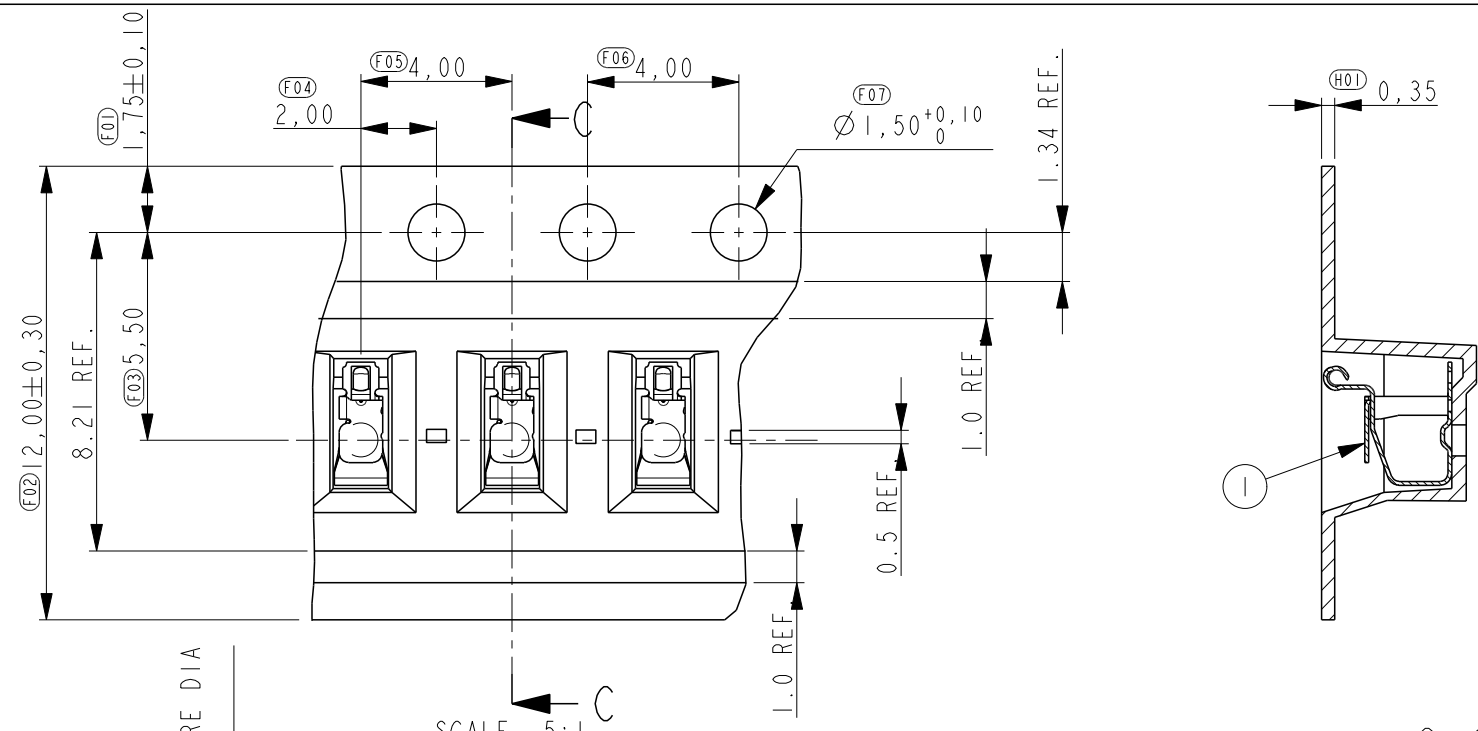
DWN	15NOV2011
Tony Zhang	
CHK	15NOV2011
Xu Xiang	
APVD	15NOV2011
Steven Yao	
PRODUCT SPEC	108-115008
APPLICATION SPEC	
WEIGHT	
CUSTOMER DRAWING	

		TE Connectivity			
		NAME			
SPRING FINGER H=3,40		SIZE	CAGE CODE	DRAWING NO	RESTRICTED TO
		A3	00779	C=1551576	
SCALE 25:1		SHEET 1	OF 2	REV A1	

THIS DRAWING IS UNPUBLISHED. RELEASED FOR PUBLICATION

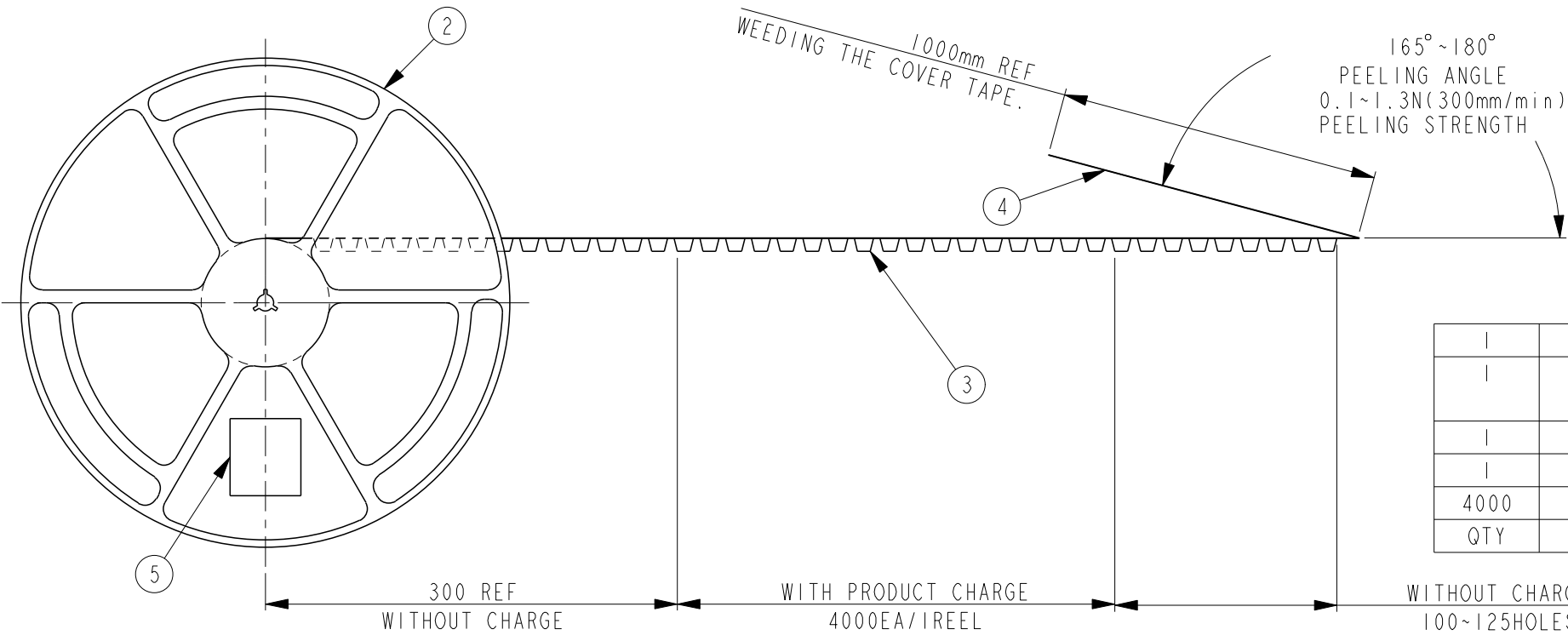
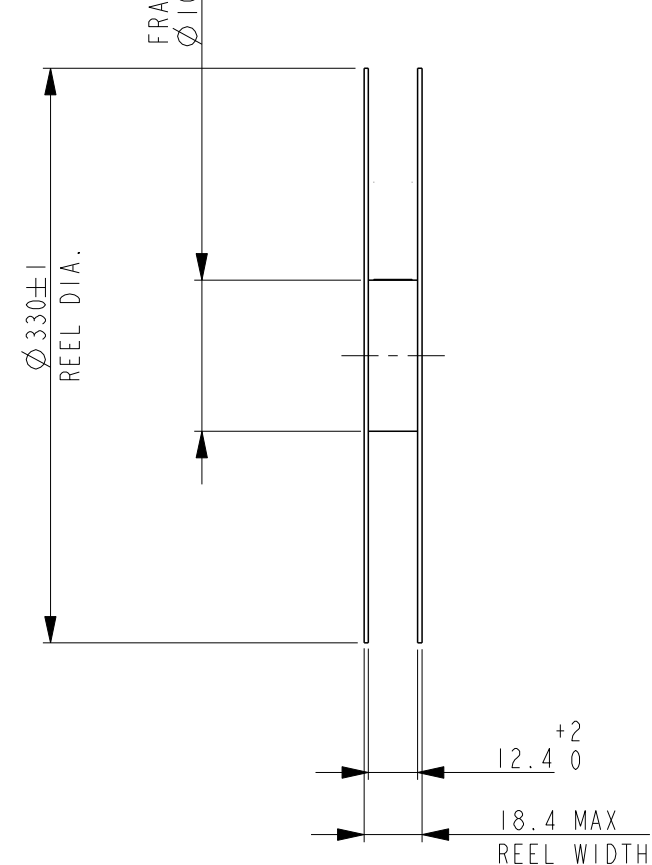
© COPYRIGHT - BY - ALL RIGHTS RESERVED.

LOC	DIST	REVISIONS			
P	LTR	DESCRIPTION	DATE	DWN	APVD
ES	00	SEE SHEET 1	-	-	-



SECTION C-C

FRANGE CORE DIA  
 $\phi 100 \pm 1$   
 SCALE 5:1



1	LABEL	(5)
1	COVER TAPE (HEAT SEALING)	(4)
1	EMBOSS	(3)
1	PLASTIC REEL	(2)
4000	SPRING FINGER	(1)
QTY	DESCRIPTION	ITEM

300 REF WITHOUT CHARGE      WITH PRODUCT CHARGE 4000EA/IREEL      WITHOUT CHARGE 100-125HOLES

THIS DRAWING IS A CONTROLLED DOCUMENT.

DWN	 TE Connectivity NAME SPRING FINGER H=3,40				
CHK					
APVD					
PRODUCT SPEC					
APPLICATION SPEC					
MATERIAL	SIZE A3	CAGE CODE 00779	DRAWING NO C-1551576	RESTRICTED TO	
FINISH	CUSTOMER DRAWING		SCALE 25:1	SHEET 2 OF 2	REV A1

## X-ON Electronics

Largest Supplier of Electrical and Electronic Components

*Click to view similar products for [EMI Gaskets, Sheets, Absorbers & Shielding](#) category:*

*Click to view products by [TE Connectivity](#) manufacturer:*

Other Similar products are found below :

[23-76FSC-SN-24](#) [2-1616323-1](#) [4-1616259-0](#) [3013350A](#) [46J8501020.NN00](#) [3013310A](#) [3013325A](#) [3013308A](#) [3020604](#) [55005106](#) [3021302](#)  
[3031313](#) [67SLH050050025PI00](#) [3021310](#) [0137131400](#) [6-34UT-070-BD-16](#) [303076048](#) [46J5N03020.NN00](#) [30206025](#) [260737](#) [30395641](#)  
[3030403](#) [3690103020](#) [HNY-LT15CU4241](#) [46X7503020.NN00](#) [46X7501020.NN00](#) [46W5E02520.NN00](#) [46W5E01520.NN00](#) [302095032](#)  
[30207032](#) [30210005](#) [46J5N02520.NN00](#) [3021213](#) [3020804](#) [3021004](#) [74273711](#) [74273704](#) [33403](#) [3031210](#) [3031008](#) [3031004](#) [3030903](#)  
[30308055](#) [303076016](#) [303045018](#) [303035015](#) [3029564](#) [3025602](#) [3023502](#) [3022303](#)