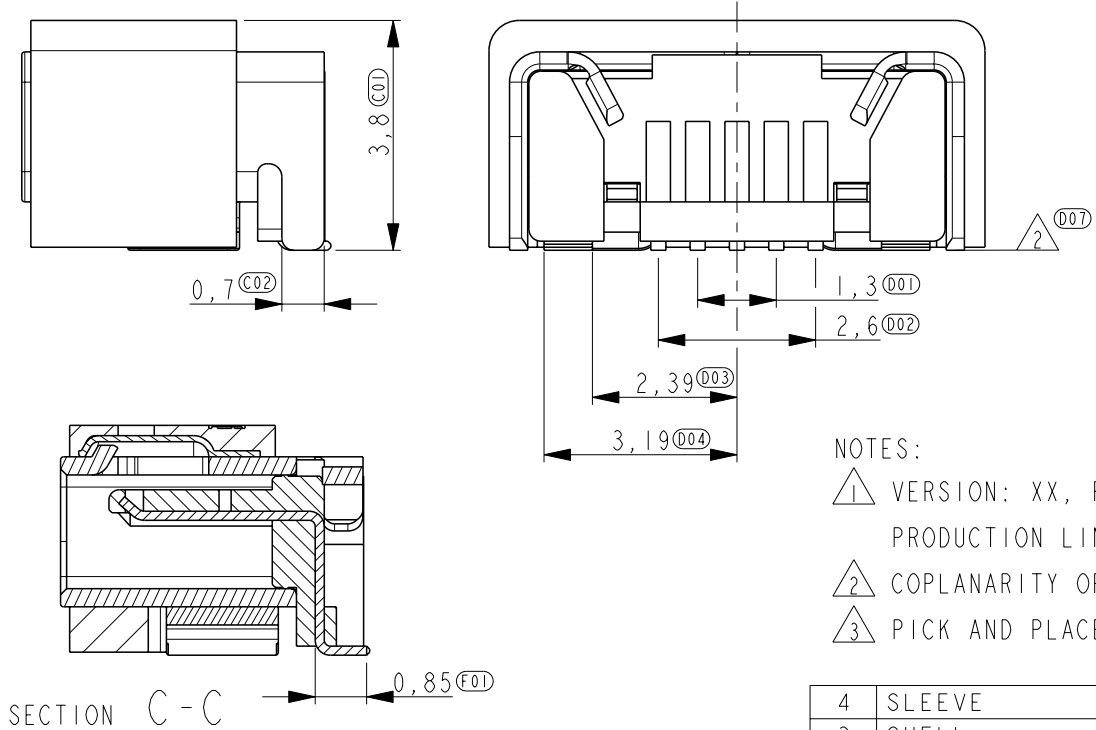
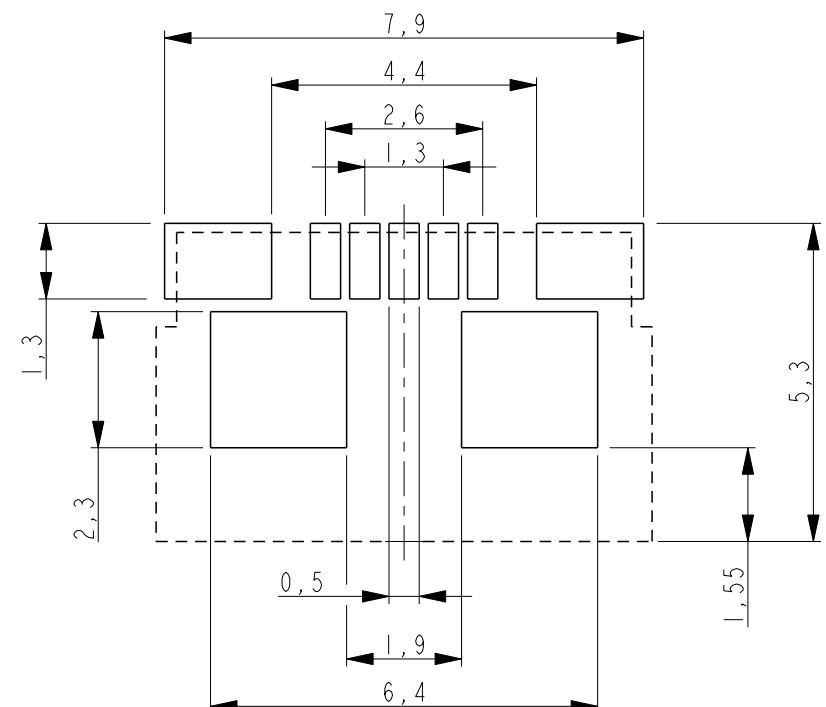
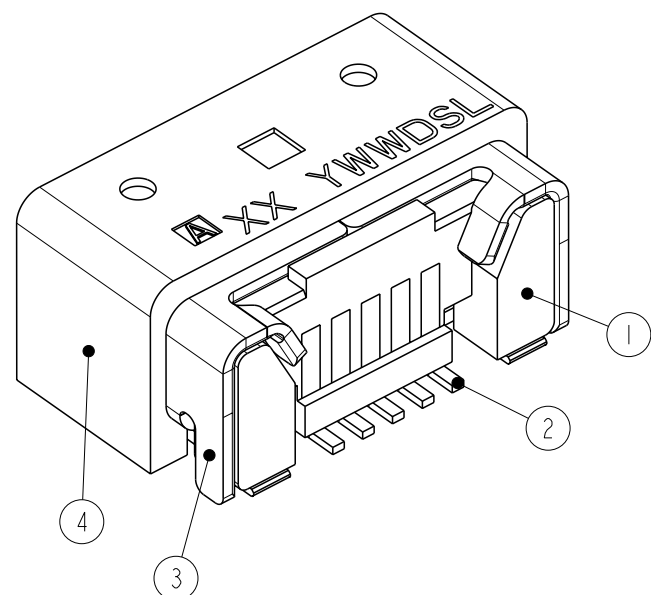
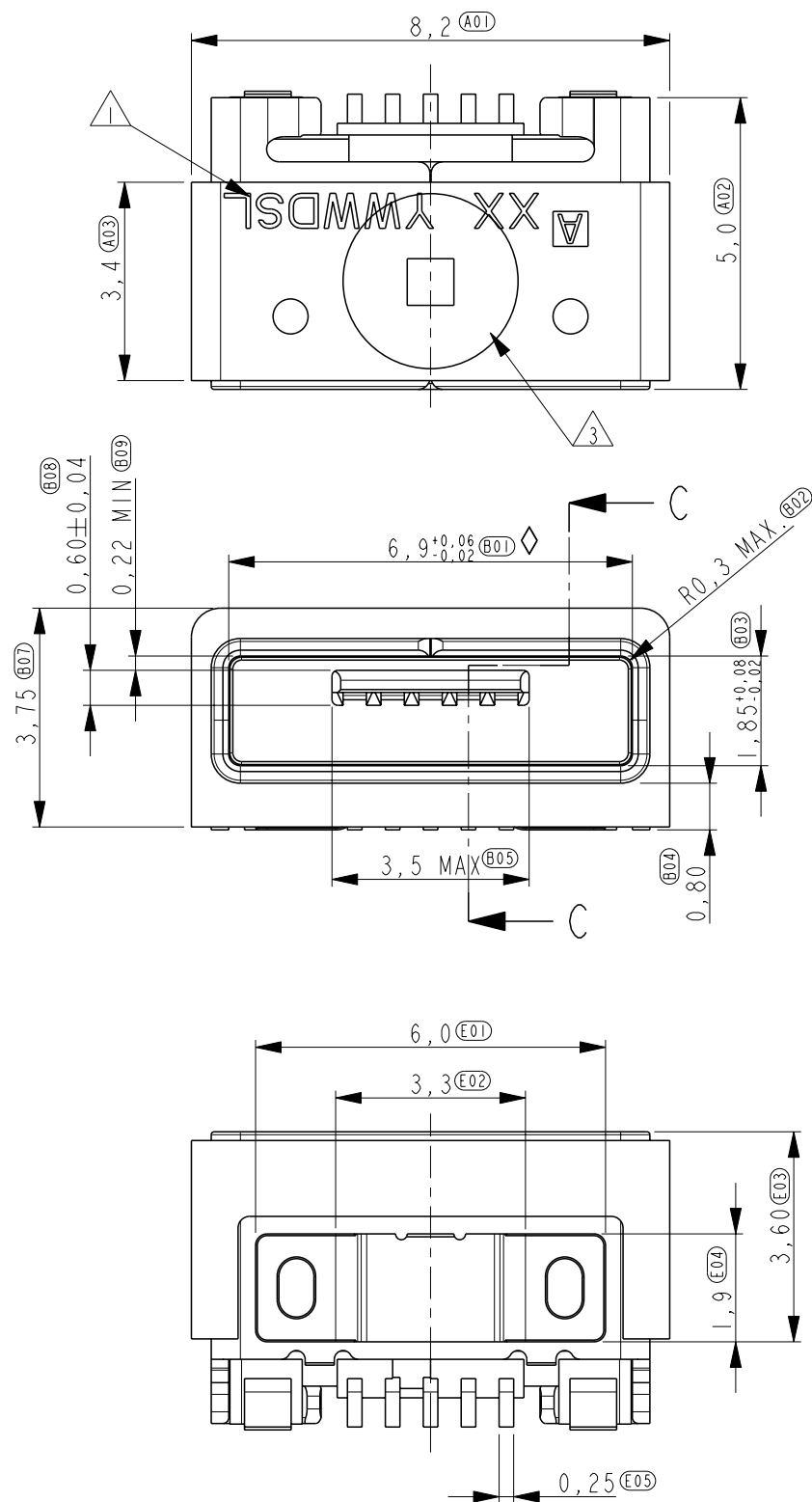


THIS DRAWING IS UNPUBLISHED. RELEASED FOR PUBLICATION 20
 © COPYRIGHT 20 BY - ALL RIGHTS RESERVED.

LOC		DIST		REVISIONS			
P	LTR	DESCRIPTION	DATE	DWN	APVD		
-	-	-	-	-	-		
	A	ECR-12-012496	11JUL2012	JvH	DH		
	B	ECR-12-014942	22AUG2012	WJ	DH		
	B1	ECR-12-015266	28AUG2012	WJ	DH		
	B2	ECR-13-013765	30AUG2013	JvH	DH		



NOTES:
 1 VERSION: XX, PRODUCTION DATE: YYWW, SHIFT CODE: S, PRODUCTION LINE NO: L.
 2 COPLANARITY OF 11 SOLDER SURFACES 0,08 MAX.
 3 PICK AND PLACE AREA Ø3

TE PN: 1551629-2
 TE PN FOR LOW MOQ: 1551629-3

ITEM NO.	DESCRIPTION	MATERIAL	FINISH
4	SLEEVE	LCP	
3	SHELL	STAINLESS STEEL	Tin over Nickel plating
2	CONTACT	COPPER ALLOY	Gold over Nickel plating
1	HOUSING	LCP	

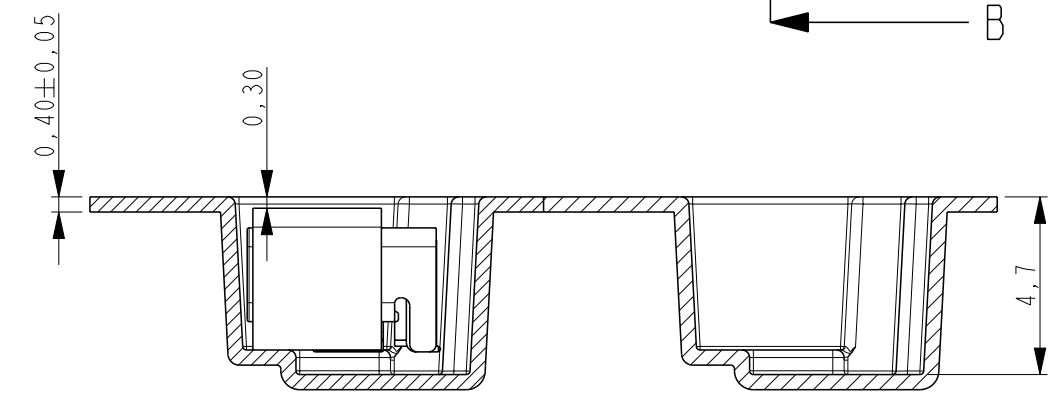
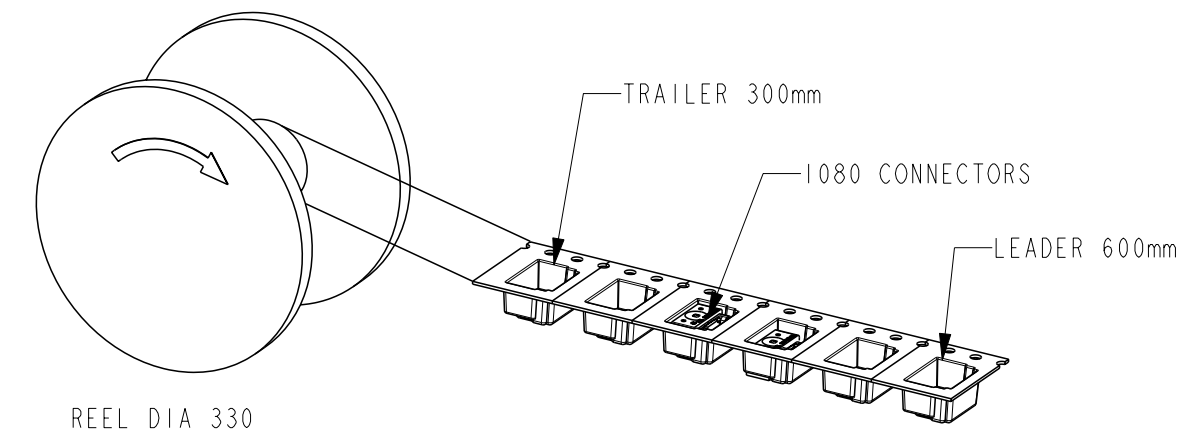
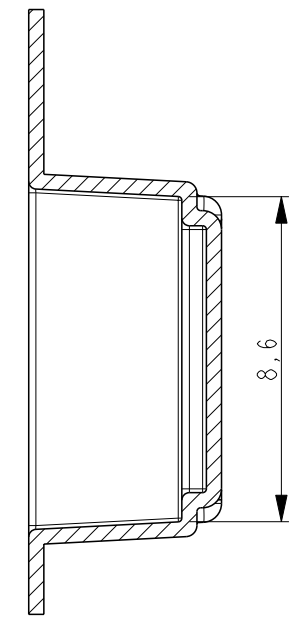
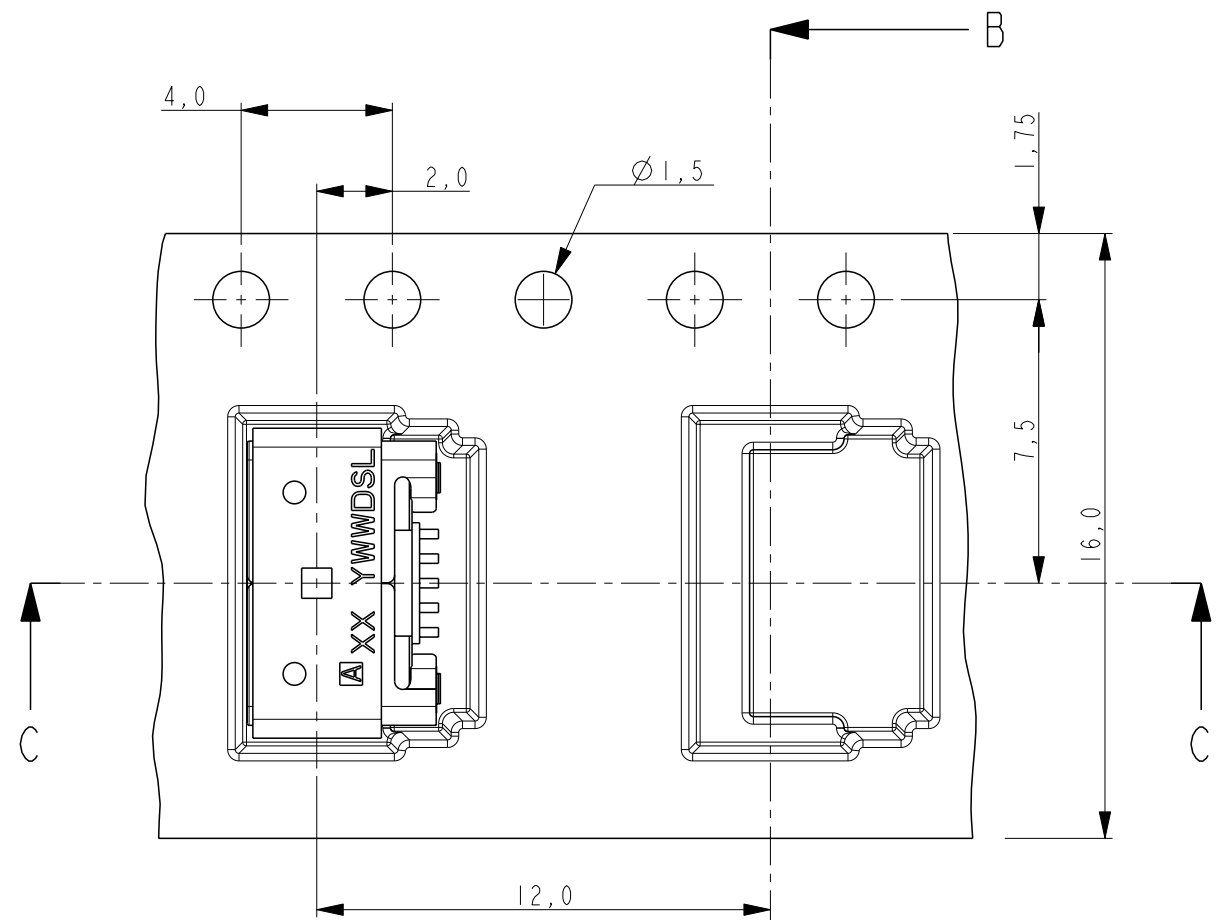
THIS DRAWING IS A CONTROLLED DOCUMENT.

DIMENSIONS:	TOLERANCES UNLESS OTHERWISE SPECIFIED:
mm	
0 PLC	±0,2
1 PLC	±0,1
2 PLC	±0,1
3 PLC	±0,025
4 PLC	±0,001
ANGLES	±2°
MATERIAL	FINISH
-	-

DWN	04APR2010	 TE Connectivity	NAME SPLASH-PROOF MICRO USB AB-TYPE 0,8 mm OFFSET		
CHK	04APR2010				
APVD	04APR2010				
PRODUCT SPEC					
APPLICATION SPEC		SIZE	CAGE CODE	DRAWING NO	RESTRICTED TO
		A3	00779	C=1551629	-
WEIGHT	0,33 gr	Customer Drawing		SCALE	8:1
				SHEET	1 OF 3
				REV	B2


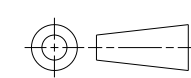
THIS DRAWING IS UNPUBLISHED. RELEASED FOR PUBLICATION 20
 © COPYRIGHT 20 BY - ALL RIGHTS RESERVED.

LOC		DIST		REVISIONS			
P	LTR	DESCRIPTION	DATE	DWN	APVD		
-	-	SEE SHEET 1	-	-	-		



SECTION C-C

NOTES:
COVER, EMOSS TAPE AND REEL ACCODING EIA STANDARD 481-D

THIS DRAWING IS A CONTROLLED DOCUMENT.		DWN W. Jansen	04APR2010	 TE Connectivity NAME SPLASH-PROOF MICRO USB AB-TYPE 0,8 mm OFFSET	
DIMENSIONS: mm		CHK W. Jansen	04APR2010		
		APVD D. Halberstadt	04APR2010		
TOLERANCES UNLESS OTHERWISE SPECIFIED:		PRODUCT SPEC	-		
0 PLC ±0,2 1 PLC ±0,1 2 PLC ±0,1 3 PLC ±0,025 4 PLC ±0,001 ANGLES ±2°		APPLICATION SPEC	-	SIZE	A3
MATERIAL	-	FINISH	-	WEIGHT	0,33 gr
Customer Drawing				CAGE CODE	00779
				DRAWING NO	C=1551629
				RESTRICTED TO	-
				SCALE	8:1
				SHEET	2 OF 3
				REV	B2

THIS DRAWING IS UNPUBLISHED.

RELEASED FOR PUBLICATION

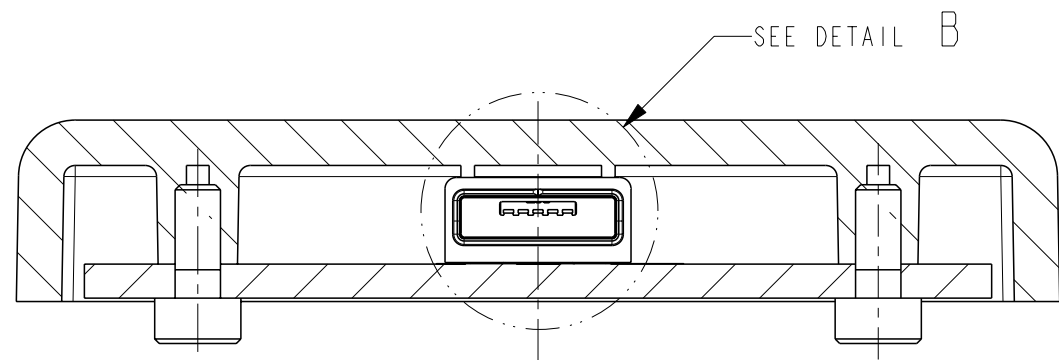
20

© COPYRIGHT 20 BY -

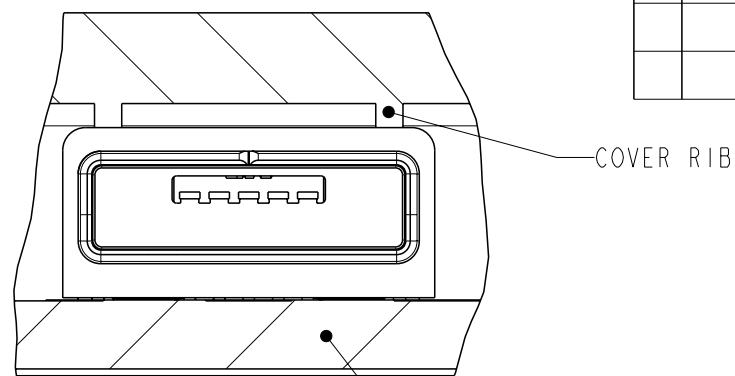
ALL RIGHTS RESERVED.

LOC	DIST
-	-

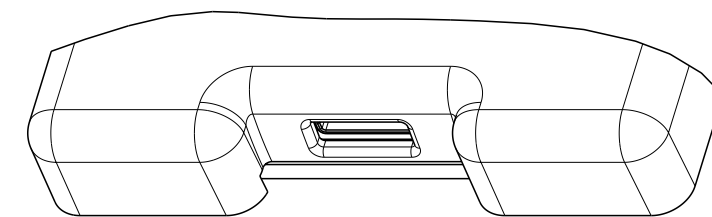
REVISIONS					
P	LTR	DESCRIPTION	DATE	DWN	APVD
-	-	SEE SHEET 1	-	-	-



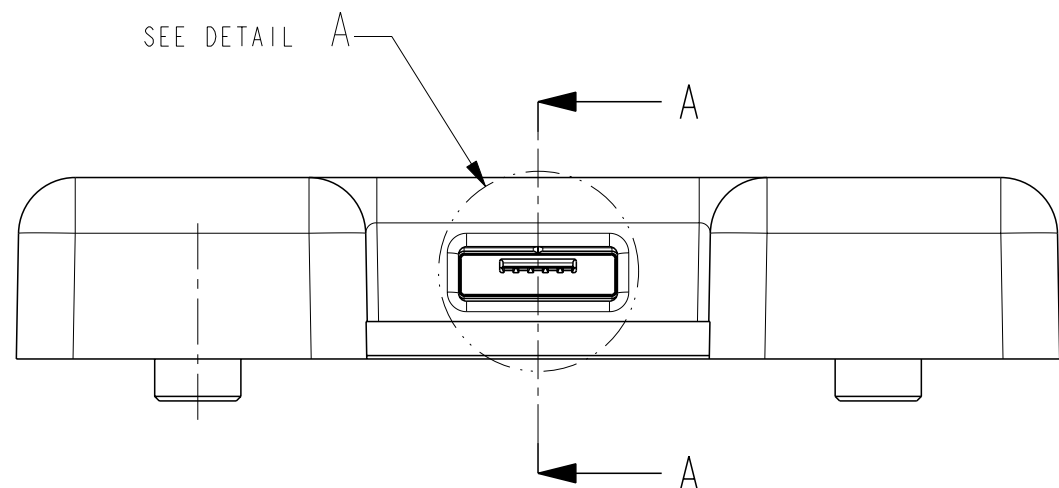
SECTION D-D



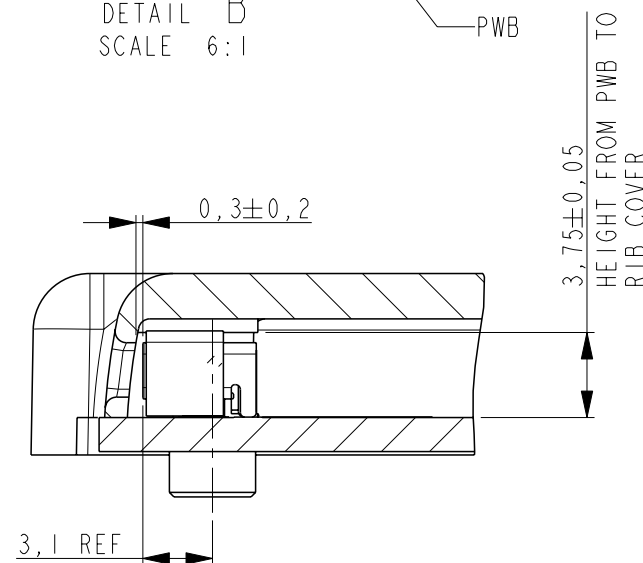
DETAIL B
SCALE 6:1



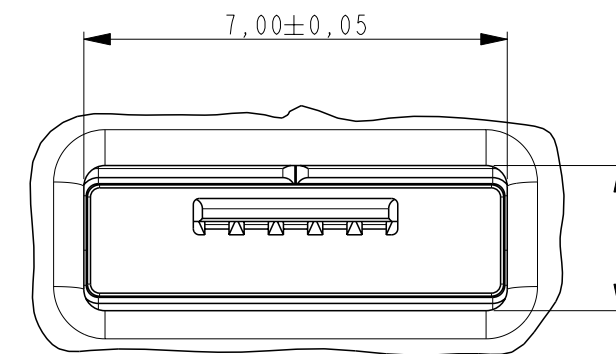
SCALE 2:1



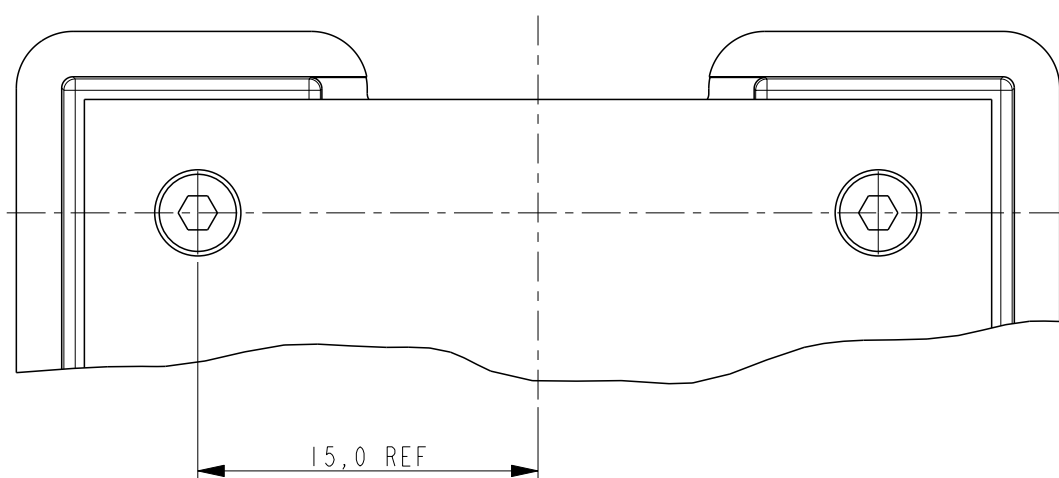
SEE DETAIL A



SECTION A-A



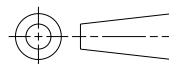
RECOMMENDED COVER HOLE SHAPE
DETAIL A
SCALE 8:1



RECOMMENDED PWB AND COVER ASSEMBLY

THIS DRAWING IS A CONTROLLED DOCUMENT.

DIMENSIONS:
mm



TOLERANCES UNLESS OTHERWISE SPECIFIED:

0 PLC	±0,2
1 PLC	±0,1
2 PLC	±0,1
3 PLC	±0,025
4 PLC	±0,001
ANGLES	±2°

MATERIAL

FINISH

DWN 04APR2010

W. Jansen

CHK 04APR2010

W. Jansen

APVD 04APR2010

D. Halberstadt

PRODUCT SPEC

-

APPLICATION SPEC

-

WEIGHT

0,33 gr

NAME

SPLASH-PROOF MICRO USB
AB-TYPE
0,8 mm OFFSET

SIZE

A3

CAGE CODE

00779

DRAWING NO

C=1551629

RESTRICTED TO

-

Customer Drawing

SCALE 8:1

SHEET 3 OF 3

REV B2



X-ON Electronics

Largest Supplier of Electrical and Electronic Components

Click to view similar products for [USB Connectors](#) category:

Click to view products by [TE Connectivity](#) manufacturer:

Other Similar products are found below :

[65-647-8-BK-BU](#) [950](#) [952](#) [E8144-B01021-L](#) [A-USB B-TOP-C](#) [MUSBA511N5](#) [MUSBD11135](#) [217450-1](#) [KMBVX-TH-5S-B30](#) [896-30-004-00-000000](#) [KUSBVX-BS1N-W30](#) [KUSBX-AP-KIT-SCBLK](#) [KUSBX-AS2N-W](#) [KUSBX-SMT2AP1S-W](#) [KUSBX-SMT2AP1S-W30](#) [935](#) [957](#) [30-498-6](#) [SK-60A-2](#) [17-210051](#) [1734082-1](#) [30-1574](#) [30-470](#) [30-489](#) [30-541](#) [30-572-3](#) [A-USB A-2P-C](#) [MIKROE-1451](#) [USBFTV2PEM2G](#) [USBFTVC6ZN](#) [KUSBX-AS2N-W30](#) [KUSBX-SLAS1N-W](#) [KUSBX-SMT-AS1N-W30](#) [4689-1](#) [1-1734084-2](#) [E8110-001-01](#) [33UBARS1-04SW11](#) [33UBAR-04SW11](#) [USBF21ZNSCC](#) [USBBFTV6ZC](#) [10135326-001LF](#) [USB-A-S-F-B-VT](#) [925](#) [4198](#) [690-024-633-031](#) [KUSBEX-BSFS1N-W](#) [USBFTVC6MRG](#) [UA-20BMFA-SL8001](#) [17-250101](#) [USBFTVC7ZC](#)