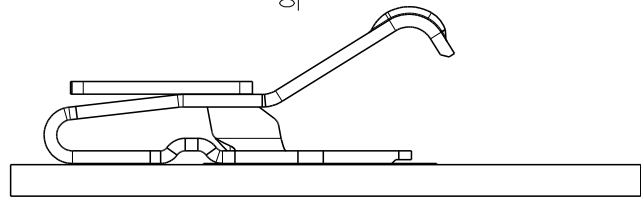
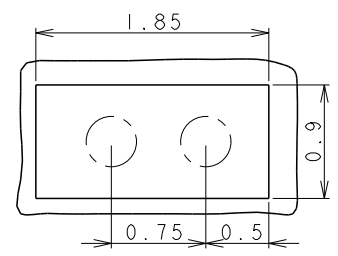
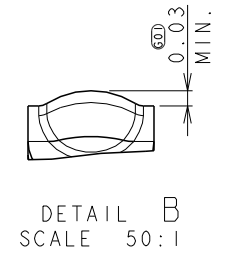
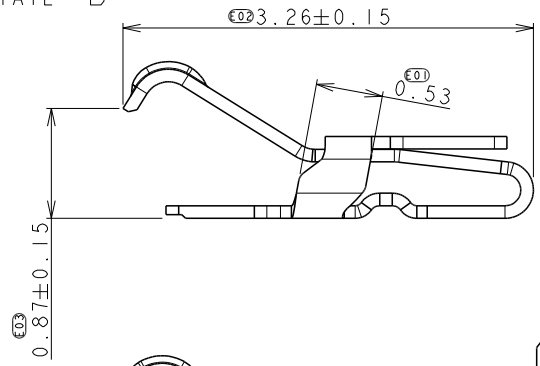
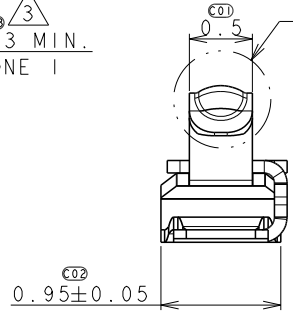
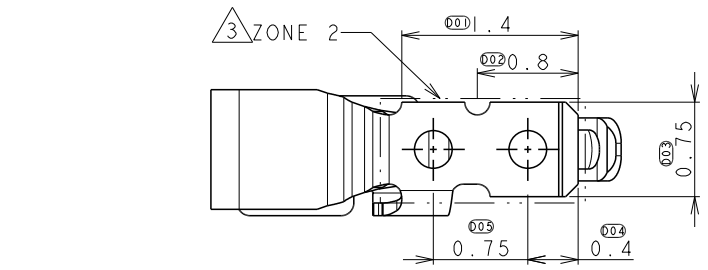
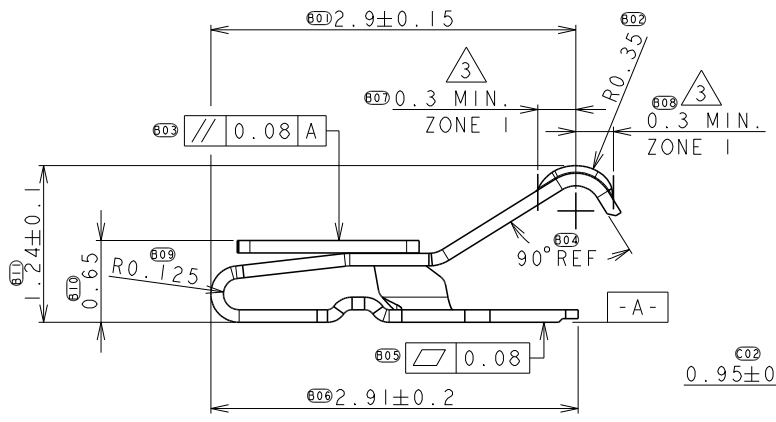
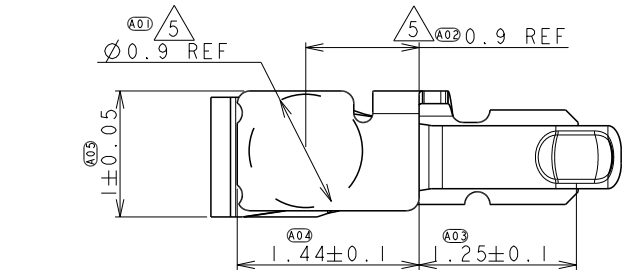


THIS DRAWING IS UNPUBLISHED. RELEASED FOR PUBLICATION 20  
 (C) COPYRIGHT 20 BY - ALL RIGHTS RESERVED.

LOC	DIST	REVISIONS			
P	LTR	DESCRIPTION	DATE	DWN	APVD
ES	00	B	UPDATE	18AUG2011	T. Z S. Y
		C	UPDATED PER ECR-14-001980	12JAN2014	T. Z W. K
		CI	REVISED ECR-19-013761	26JAN2021	J. J N. S



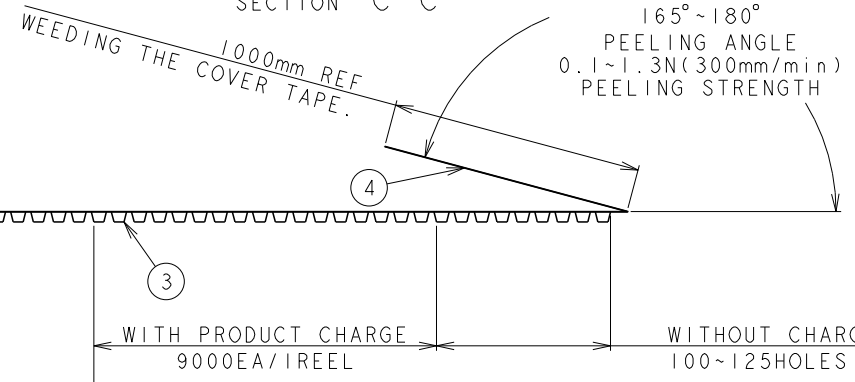
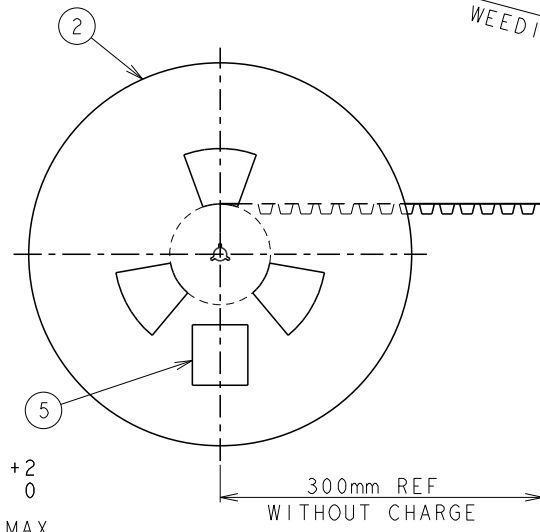
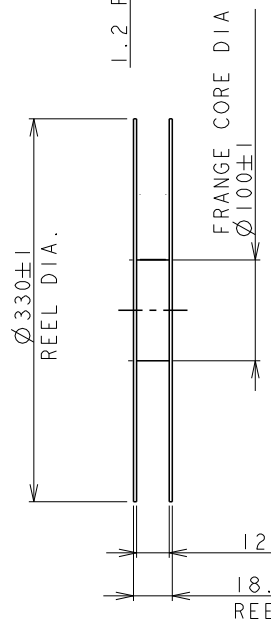
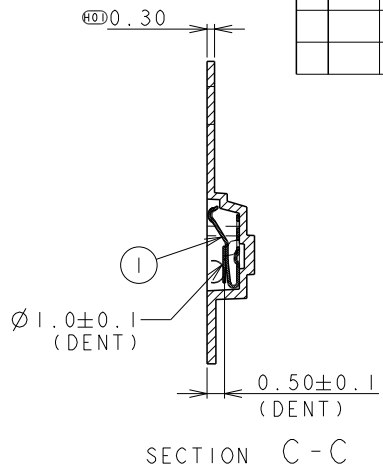
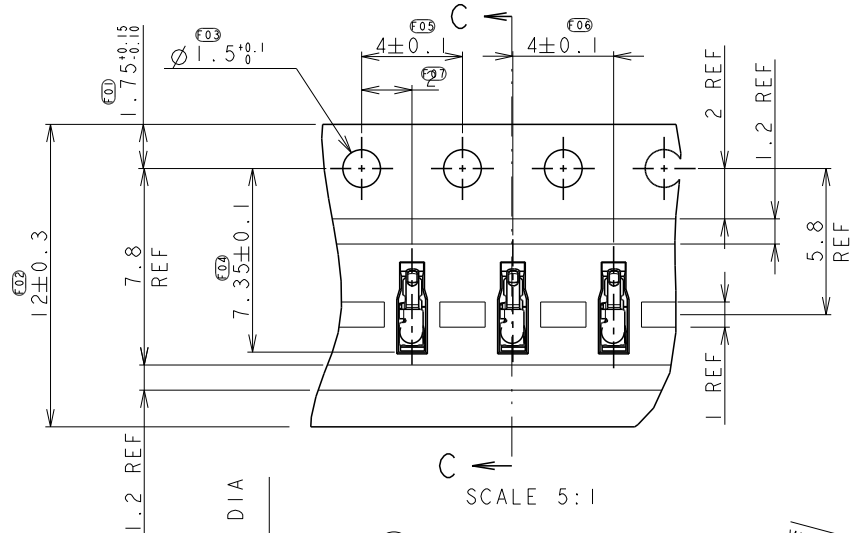
REFERENCE VIEW FOR COMPONENT PLACEMENT

RECOMMENDED PWB LAY-OUT(±0.05)  
 DASHED CYCLES ARE THE LOCATION OF THE SHIELD FINGER BOTTOM HOLES.

- NOTES:
- 1 PART NUMBER: 1551631-5 AS SHOWN.
  - MATERIAL: STAINLESS STEEL.
  - PLATING: 1.3um MIN. NICKEL UNDERLAYER ALL OVER  
 ZONE 1: 0.30um MIN. GOLD  
 ZONE 2: 0.05 - 0.20um GOLD FLASH
  - 4 NORMAL FORCE 0.6±0.2N AT NOMINAL HEIGHT 0.75MM.
  - INDICATED SURFACE TO BE USED AS PICK AND PLACE SURFACE.

THIS DRAWING IS A CONTROLLED DOCUMENT.		DWN Tony Zhang 30MAR2010	TE Connectivity	
		CHK Yohei Harada 31MAR2010		
DIMENSIONS: mm		APVD Steven Yao 31MAR2010	NAME SPRING FINGER HEIGHT 1.24 mm	
TOLERANCES UNLESS OTHERWISE SPECIFIED:		PRODUCT SPEC 108-115008	RESTRICTED TO XXX	
0 PLC ±0.20 1 PLC ±0.10 2 PLC ±0.10 3 PLC ±0.05 4 PLC ±0.000j ANGLES ±0.000j FINISH ±5		APPLICATION SPEC -	SIZE A3	CAGE CODE 00779
MATERIAL 2		WEIGHT 0.005g	DRAWING NO C=1551631	SCALE 25:1
		CUSTOMER DRAWING	SHEET 1 OF 2	REV C1

LOC	DIST	REVISIONS			
P	LTR	DESCRIPTION	DATE	DWN	APVD
ES	00	SEE SHEET 1	-	-	-



QTY	DESCRIPTION	ITEM
1	LABEL	⑤
1	COVER TAPE	④
1	EMBOSS	③
1	PLASTIC REEL	②
9000	SPRING FINGER	①

THIS DRAWING IS A CONTROLLED DOCUMENT.

DIMENSIONS: mm	TOLERANCES UNLESS OTHERWISE SPECIFIED: 0 PLC ±0.20 1 PLC ±0.10 2 PLC ±0.10 3 PLC ±0.05 4 PLC ±0.000J ANGLES ±5	DWN	TE Connectivity NAME SPRING FINGER HEIGHT 1.24 mm
MATERIAL	FINISH	CHK	
		APVD	
		PRODUCT SPEC	
		APPLICATION SPEC	
		WEIGHT	SIZE A3
		CUSTOMER DRAWING	CAGE CODE 00779
			DRAWING NO C=1551631
			RESTRICTED TO XXX
			SCALE 1:1
			SHEET 2 OF 2
			REV C1

## X-ON Electronics

Largest Supplier of Electrical and Electronic Components

*Click to view similar products for [EMI Gaskets, Sheets, Absorbers & Shielding](#) category:*

*Click to view products by [TE Connectivity](#) manufacturer:*

Other Similar products are found below :

[8101010140](#) [8563-0090-89](#) [1194-7.7X10](#) [1245-34"X18YD](#) [1267](#) [1345-3/8x18yrd](#) [1380-2"X8"](#) [1554907-1](#) [2320002000](#) [2320014700](#)  
[SG293037DS](#) [ST005PCN50](#) [55005107](#) [38M4040AA0606](#) [46J5N02020.NN00](#) [1125-8X10](#) [1126X1"](#) [1170-3/4X18YDS](#) [1170-7.7x10](#) [1183-](#)  
[12"X18YD](#) [6-34T-BD-0.315](#) [SG125187D-24](#) [SG125250R-24](#) [SG187375R-24](#) [SG284050DS](#) [8402010540](#) [KIT TECH CLIP](#) [1194](#) [10-40450-](#)  
[28S](#) [1245](#) [1267-1/2"x18yd](#) [46J8501020.NN00](#) [1170-1/4"x18yd](#) [AL-36FR-1x54.5](#) [3013310A](#) [1194X1"](#) [3020604](#) [3021302](#) [3031313](#) [260709](#)  
[3021310](#) [6-34UT-070-BD-16](#) [303076048](#) [46J5N03020.NN00](#) [30206025](#) [30395641](#) [3030403](#) [3690103020](#) [HNY-LT15CU4241](#) [1170-](#)  
[3/8"x18yd](#)