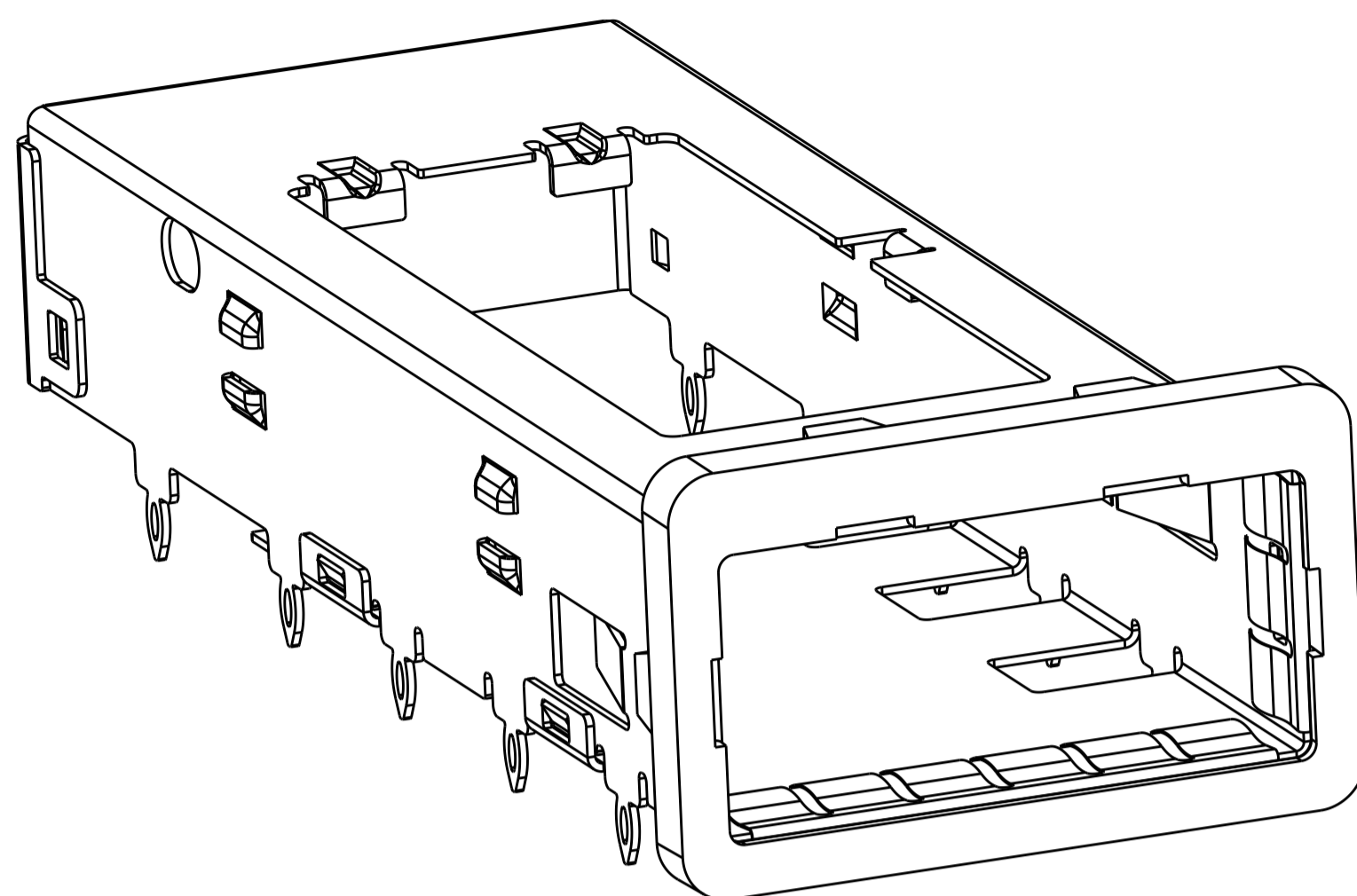
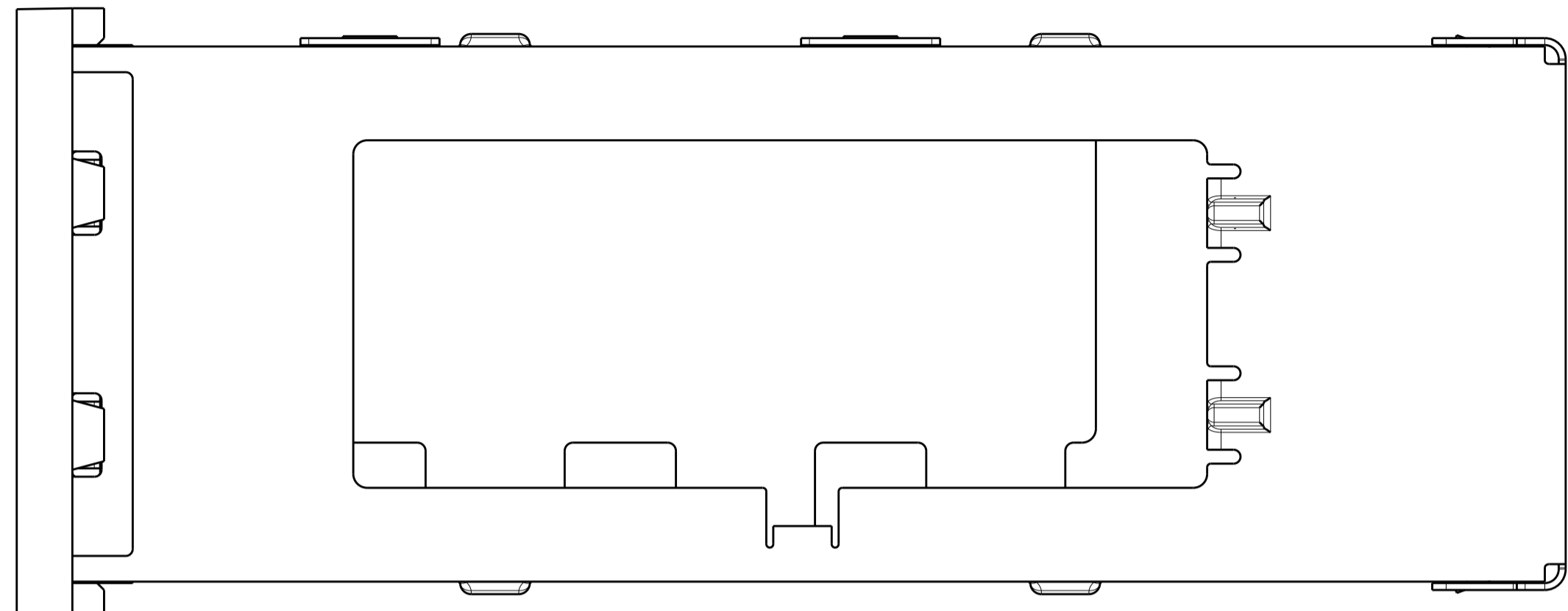


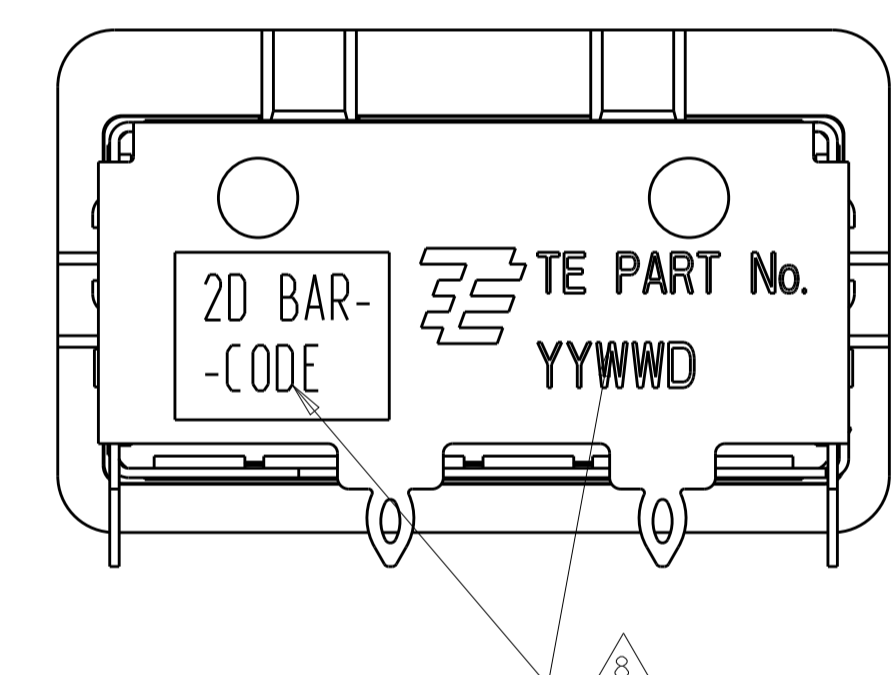
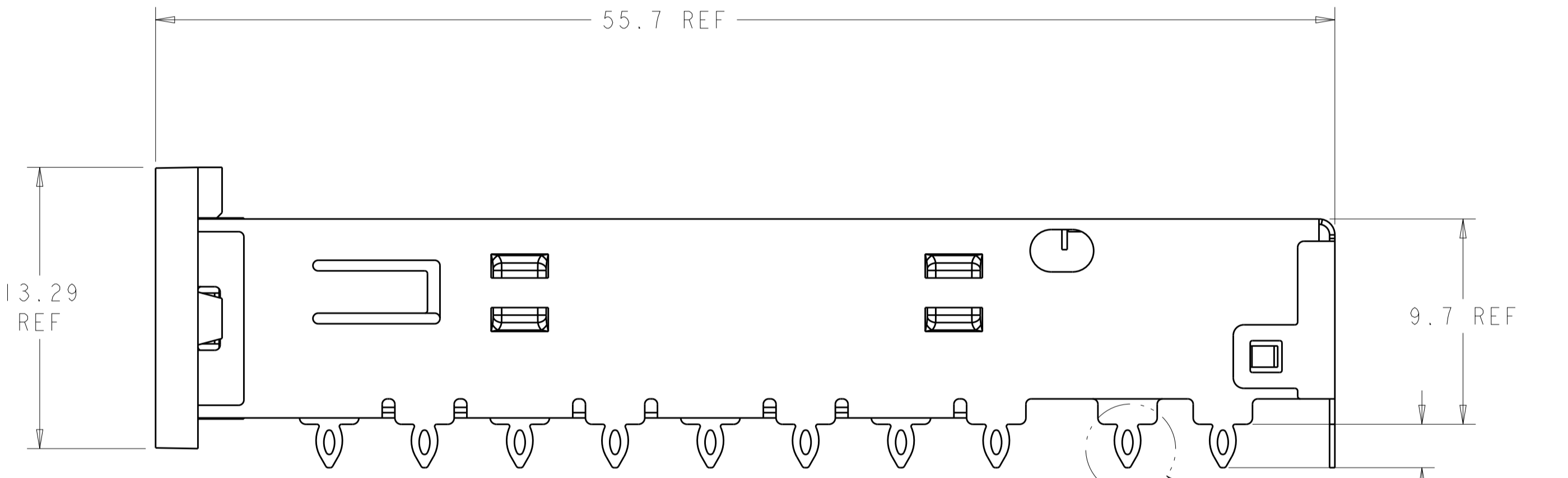
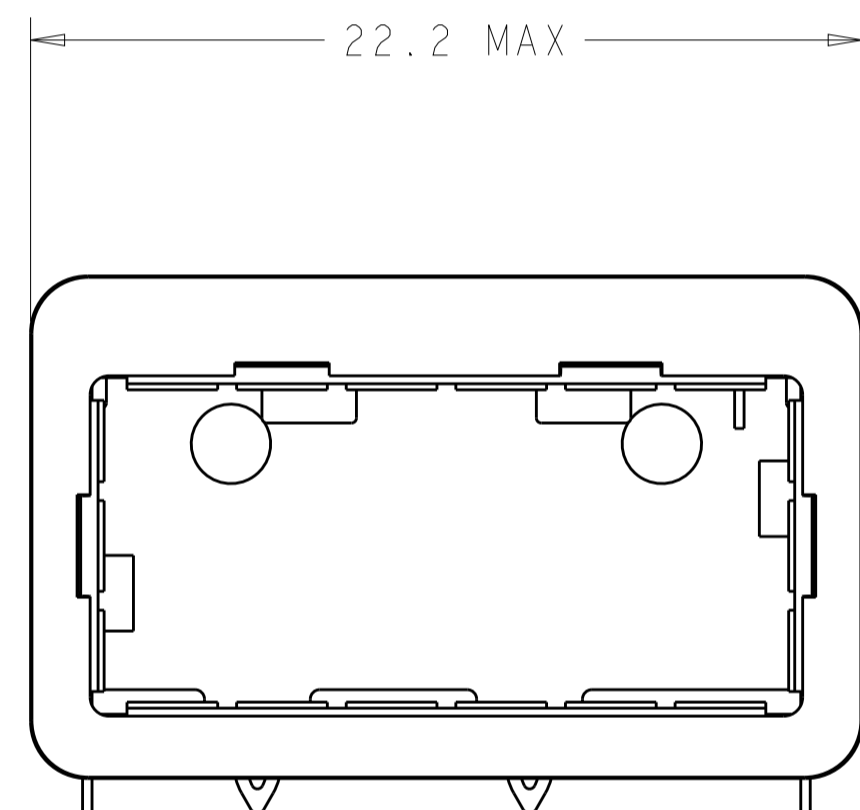
LOC	DIST	REV	DATE	BY	CHK	APPV
GP	00	C	26MAR2015	JY	SH	



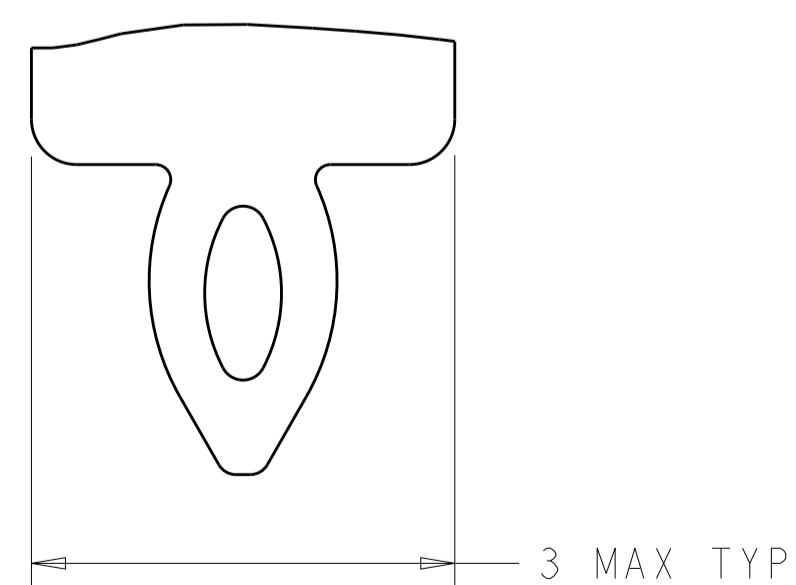
SCALE 5:1



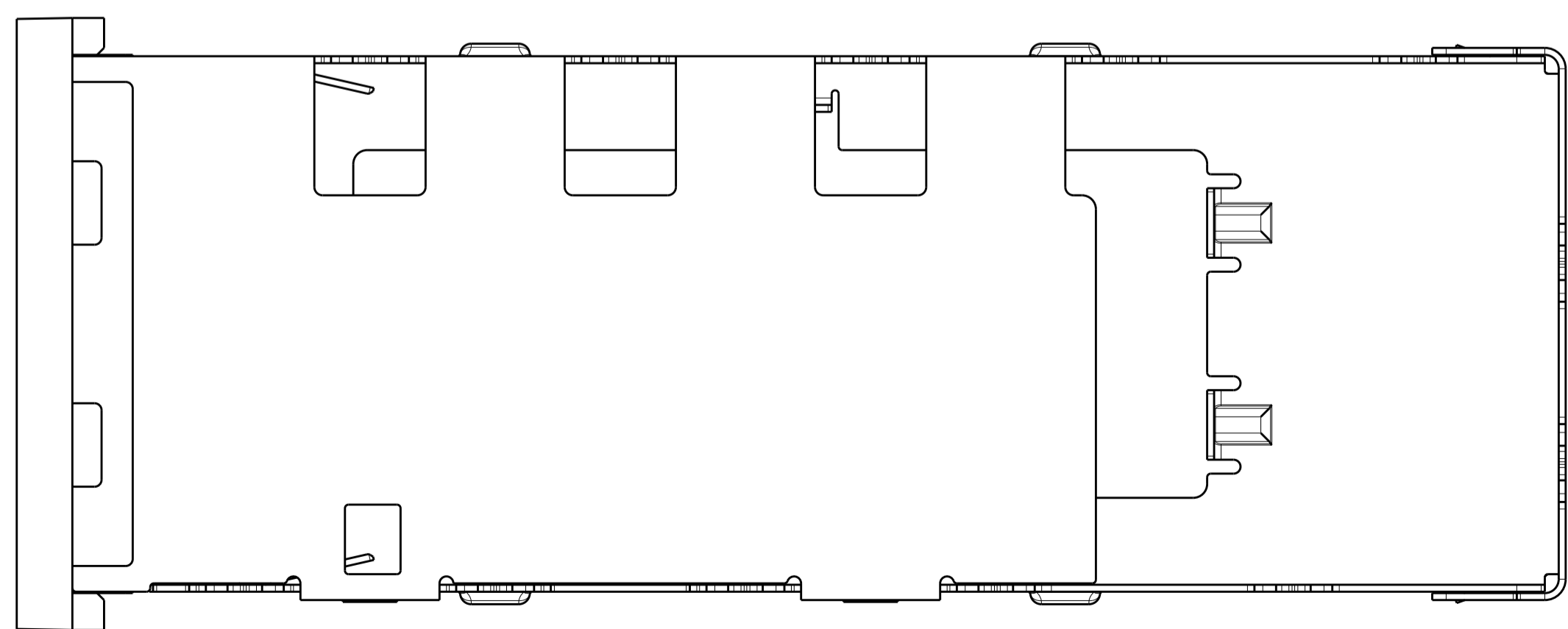
- 1 SURFACE TRACES PERMITTED WITHIN THIS LENGTH EXCEPT WHERE CAGE STANDOFFS, SHOWN IN DETAIL J, CONTACT PC BOARD.
- 2 MINIMUM PITCH DIMENSION.
- 3 MATES WITH QSFP MSA COMPATIBLE TRANSCEIVER.
- 4 REFERENCE APPLICATION SPEC 114-13218 FOR RECOMMENDED DRILL HOLE DIAMETER AND PLATING THICKNESS.
- 5 DATUM AND BASIC DIMENSIONS ESTABLISHED BY CUSTOMERS.
- 6 DIMENSION C IS THE NOMINAL THICKNESS OF CUSTOMER SUPPLIED PC BOARD,
 SINGLE SIDED PC BOARD MINIMUM THICKNESS: 1.45
 DOUBLE SIDED PC BOARD MINIMUM THICKNESS: 2.7.
- 7 DATUM A IS TOP SURFACE OF THE HOST BOARD.
- 8 2D BARCODE AND DATE CODE (YYWW) MARKED APPROXIMATELY AS SHOWN.
- 9 CAGE MATERIAL: 0.25 THICK NICKEL SILVER
 EMI SPRING MATERIAL: COPPER ALLOY
 FRONT FLANGE MATERIAL: ZINC ALLOY.
- 10 EMI SPRING FINISH: 2µm MIN TIN
 FRONT FLANGE FINISH: 3µm MIN THICK TIN OVER 1.27µm
 MIN THICK NICKEL OVER 5.08µm
 MIN THICK COPPER.



SEE DETAIL J



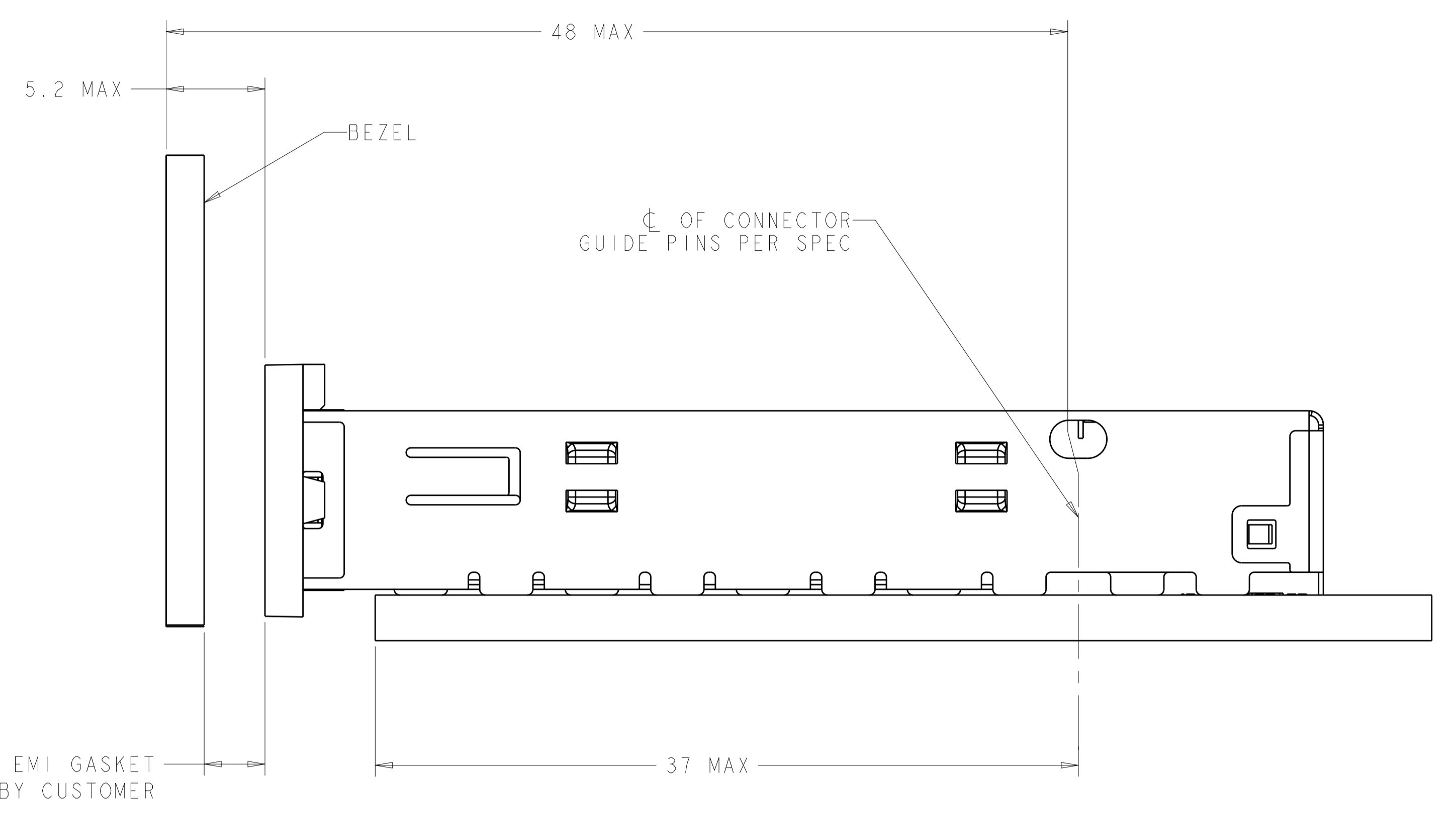
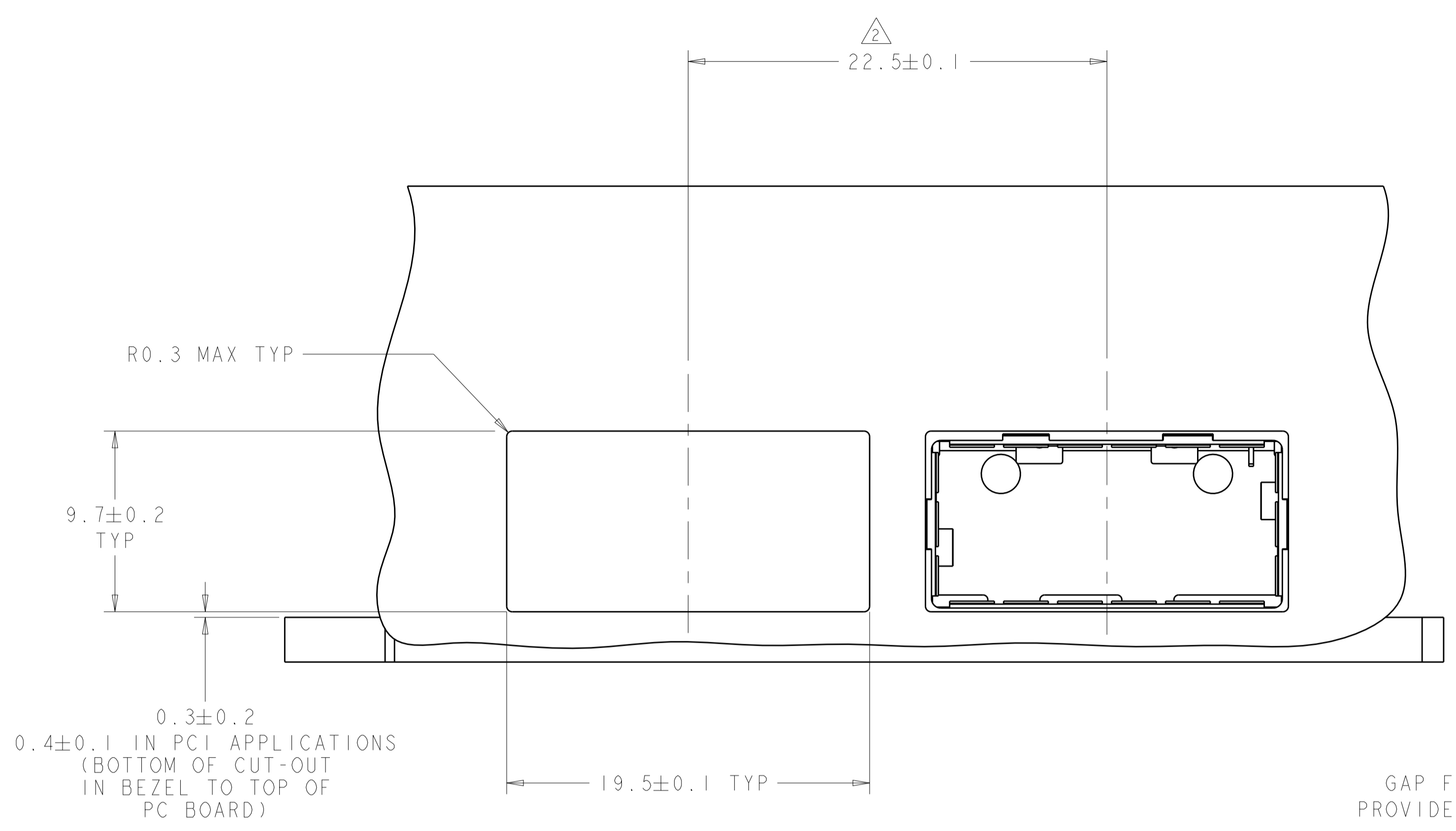
DETAIL J
 SCALE 20:1



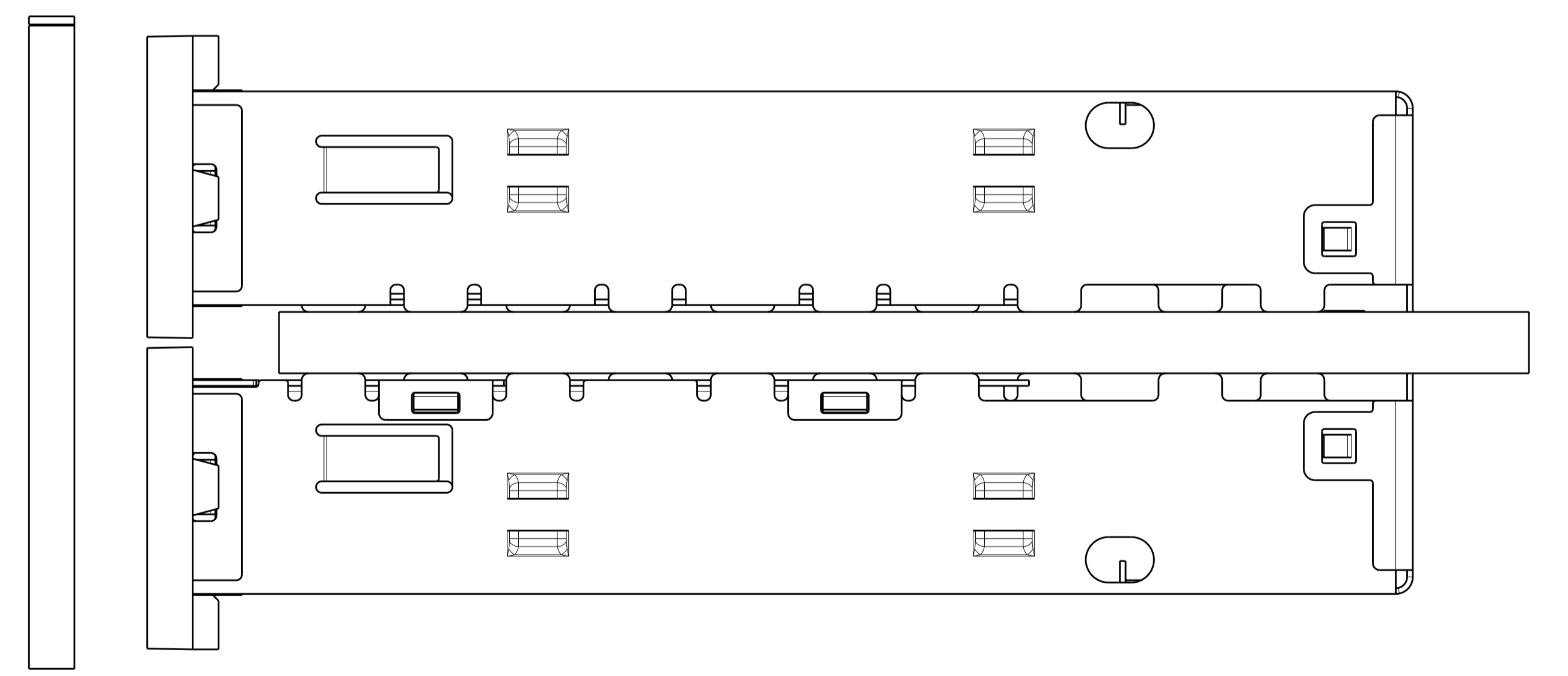
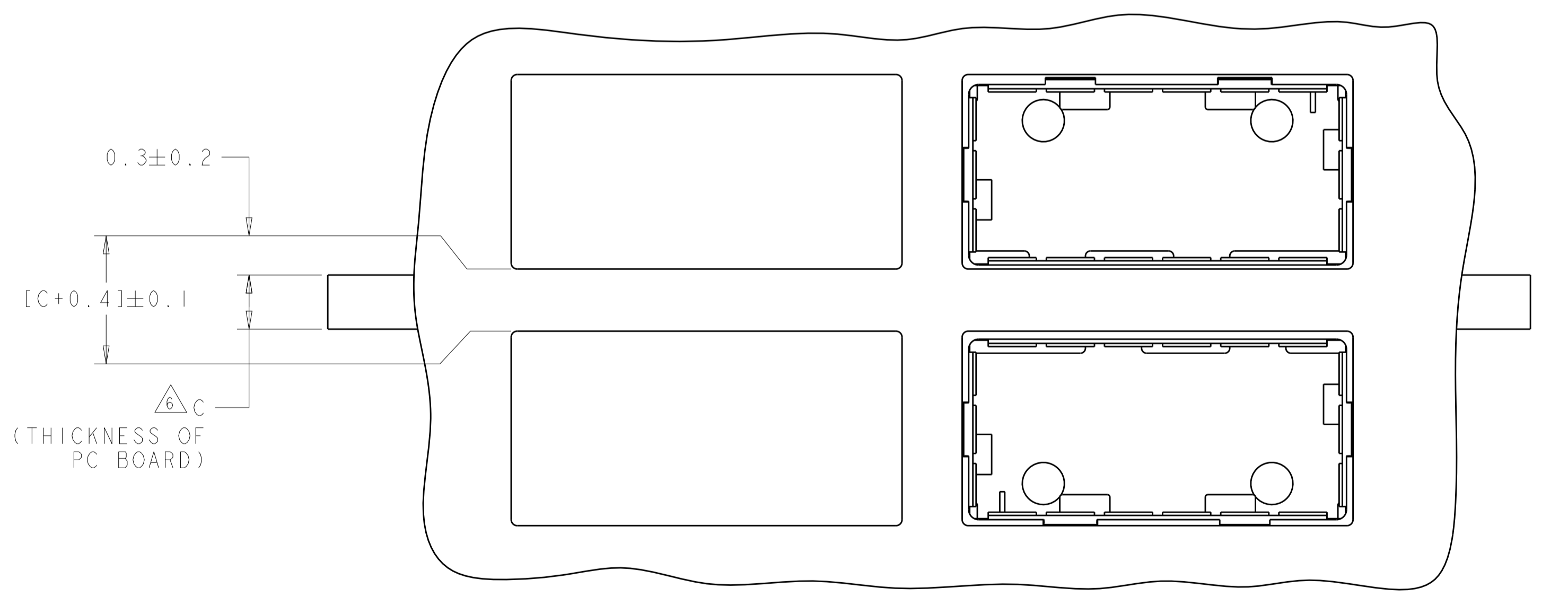
1551891-1
 PART NUMBER

THIS DRAWING IS A CONTROLLED DOCUMENT. DIMENSIONING AND TOLERANCING PER ASME Y14.5M-2009.		DWN: E.ZIJLSTRA 08NOV2010 CHK: R.VERBEEET 08NOV2010 APVD: T.D.ROER 08NOV2010	NAME: CAGE ASSEMBLY, BEHIND BEZEL, QSFP PRODUCT SPEC: - APPLICATION SPEC: -
DIMENSIONS: mm 0 PLC ±0.13 1 PLC ±0.13 2 PLC ±0.13 3 PLC ±0.13 4 PLC ±0.13 ANGLES ±0.13	TOLERANCES UNLESS OTHERWISE SPECIFIED: FINISH: 9, 10	SIZE: A1 CAGE CODE: 00779 DRAWING NO: C=1551891	RESTRICTED TO: - SCALE: 5:1 SHEET: 1 OF 4 REV: C
MATERIAL: 9		CUSTOMER DRAWING	

LOC		DIST		REVISIONS			
GP	00	P	LTN	DESCRIPTION	DATE	DMN	APVD
-	-	-	-	SEE SHEET 1	-	-	-



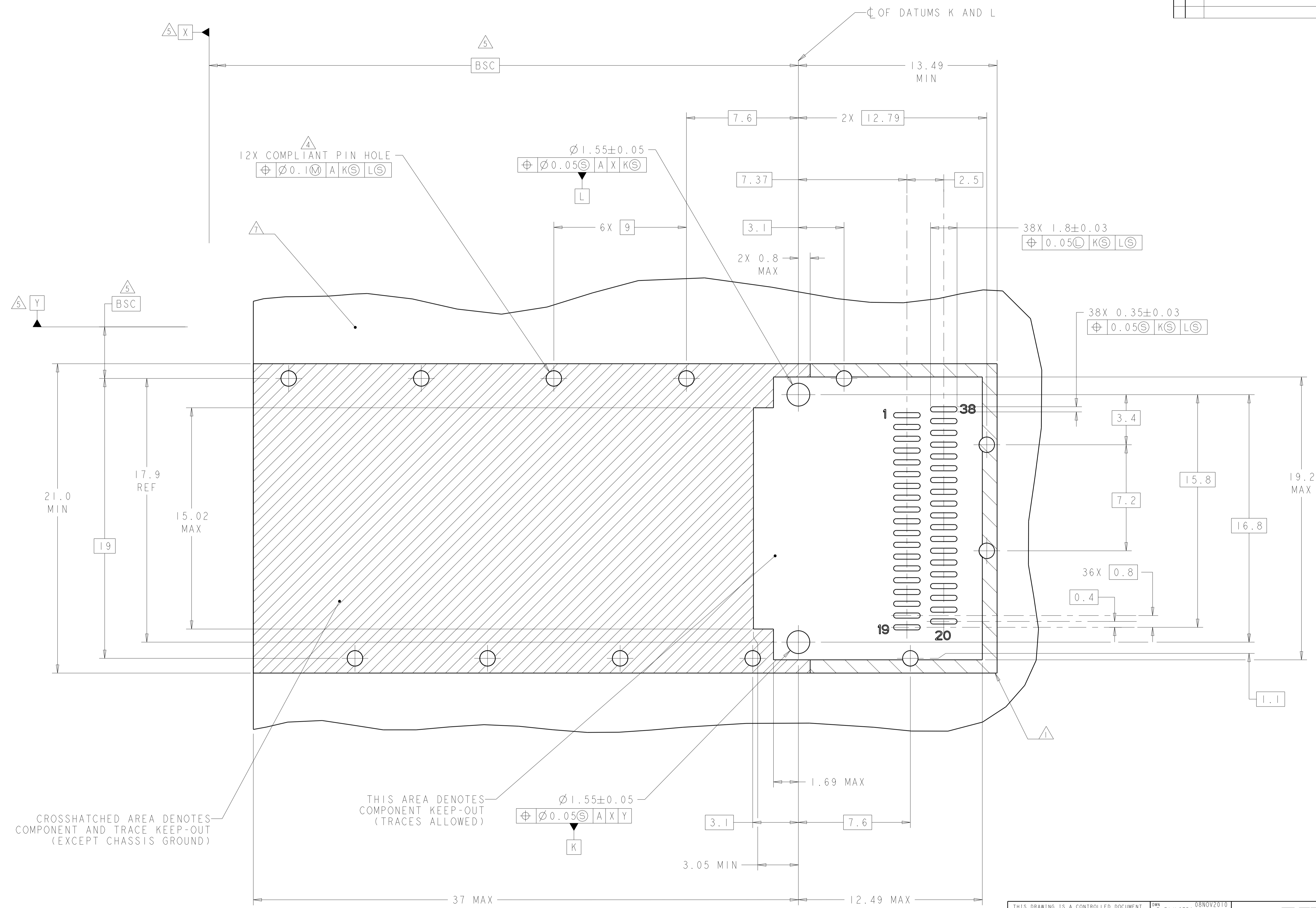
ONE SIDED CONFIGURATION



BELLY TO BELLY CONFIGURATION
 SIMILAR TO ONE SIDED EXCEPT
 WHERE NOTED

THIS DRAWING IS A CONTROLLED DOCUMENT. DIMENSIONING AND TOLERANCING PER ASME Y14.5M-2009.		DMN: E.ZIJLSTRA 08NOV2010 CHK: R.VERBEET 08NOV2010 APVD: T.D.ROER 08NOV2010	TE Connectivity NAME: CAGE ASSEMBLY, BEHIND BEZEL, ZQSF PRODUCT SPEC: - APPLICATION SPEC: - WEIGHT: - CUSTOMER DRAWING	
DIMENSIONS: mm	TOLERANCES UNLESS OTHERWISE SPECIFIED:	SIZE: A1	CAGE CODE: 00779	DRAWING NO: 1551891
0 PLC ±0.13	1 PLC ±0.13	SCALE: 5:1	SHEET: 2	OF: 4
2 PLC ±0.13	3 PLC ±0.13	REV: C		
4 PLC ±0.13	ANGLES ±0.13			
MATERIAL:	FINISH:			

LOC	DIST	REV	DATE	BY	APPV
GP	00				
REVISIONS					



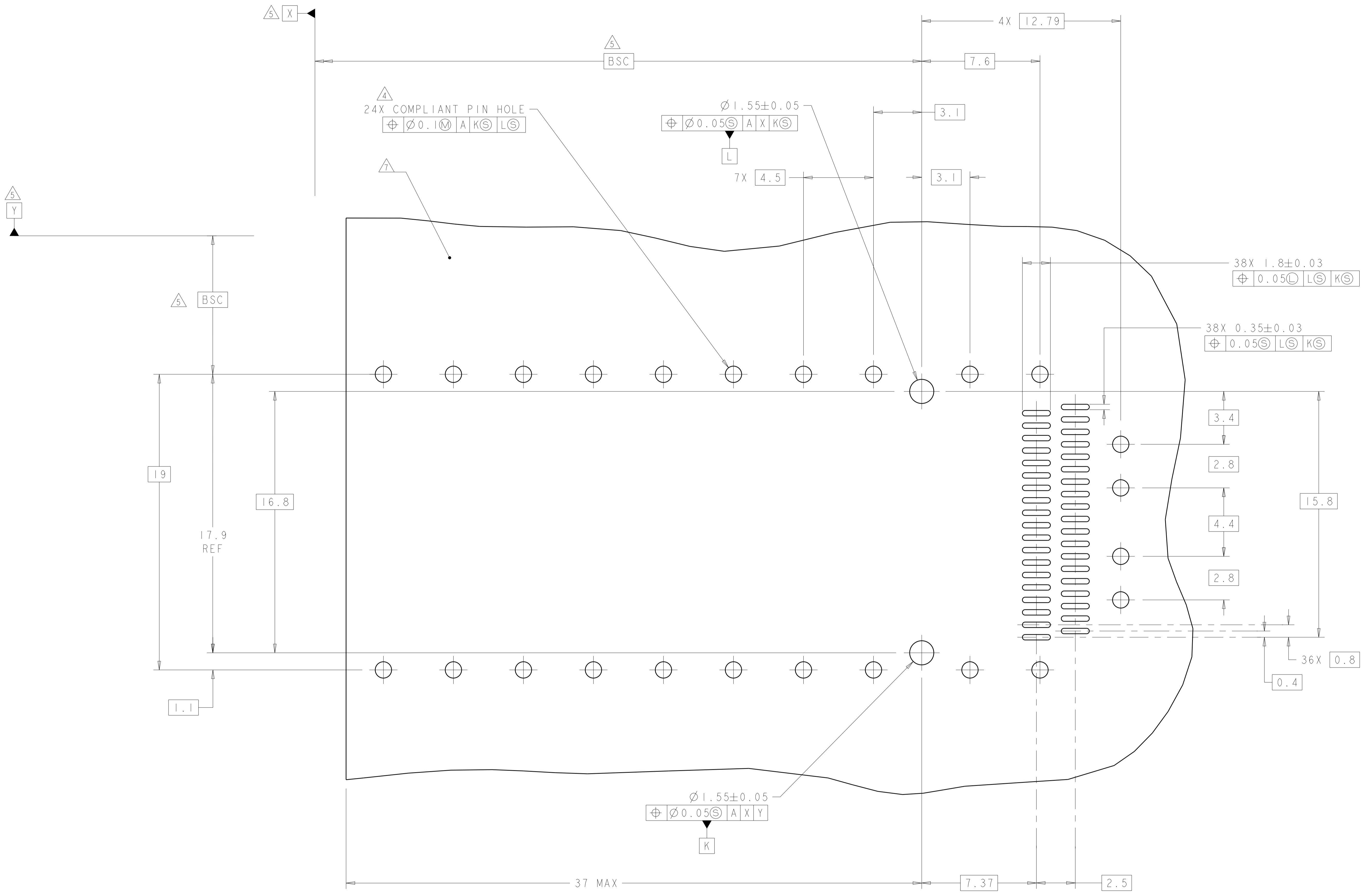
CROSSHATCHED AREA DENOTES COMPONENT AND TRACE KEEP-OUT (EXCEPT CHASSIS GROUND)

THIS AREA DENOTES COMPONENT KEEP-OUT (TRACES ALLOWED)

RECOMMENDED SINGLE-SIDE PC BOARD LAYOUT
 SCALE 8:1

THIS DRAWING IS A CONTROLLED DOCUMENT. DIMENSIONING AND TOLERANCING PER ASME Y14.5M-2009		OWN: E. ZIJLSTRA 08NOV2010 CHK: R. VERBEEF 08NOV2010 APPV: T. D. ROER 08NOV2010	NAME: CAGE ASSEMBLY, BEHIND BEZEL, ZQSF
DIMENSIONS: mm	TOLERANCES UNLESS OTHERWISE SPECIFIED:	PRODUCT SPEC: -	APPLICATION SPEC: -
0 PLC ±0.13	1 PLC ±0.13	2 PLC ±0.13	3 PLC ±0.13
4 PLC ±0.13	ANGLES ±0.13	WEIGHT: -	SIZE: A100779
MATERIAL: -	FINISH: -	CAGE CODE: -	DRAWING NO: 1551891
CUSTOMER DRAWING		SCALE: 5:1	SHEET 3 OF 4 REV C

LOC	DIST	REV	DATE	BY	APPD
GP	00				
REVISIONS					
		DESCRIPTION	DATE	BY	APPD
		SEE SHEET 1			



RECOMMENDED PCB LAYOUT
 BELLY TO BELLY CONFIGURATION
 SEE SHEET 3 FOR KEEP OUT AREAS
 SCALE 8:1

THIS DRAWING IS A CONTROLLED DOCUMENT. DIMENSIONING AND TOLERANCING PER ASME Y14.5M-2009		OWN: E.ZIJLSTRA 08NOV2010	CHK: R.VERBEET 08NOV2010	TE Connectivity	
DIMENSIONS: mm		APVD: T.D.ROER 08NOV2010	NAME: CAGE ASSEMBLY, BEHIND BEZEL, ZQ5FP		RESTRICTED TO: -
TOLERANCES UNLESS OTHERWISE SPECIFIED: 0 PLC ±0.13 1 PLC ±0.13 2 PLC ±0.13 3 PLC ±0.13 4 PLC ±0.13 ANGLES ±0.13		PRODUCT SPEC: -		SIZE: A100779C=1551891	
MATERIAL: -		APPLICATION SPEC: -		WEIGHT: -	
FINISH: -		CUSTOMER DRAWING		SCALE: 5:1 SHEET 4 OF 4 REV C	

X-ON Electronics

Largest Supplier of Electrical and Electronic Components

Click to view similar products for [I/O Connectors](#) category:

Click to view products by [TE Connectivity](#) manufacturer:

Other Similar products are found below :

[571763P](#) [72.250.1628.2](#) [72.250.2428.2](#) [74720-0505](#) [76.350.0729.0](#) [76871-1403](#) [FCN-244F080-G/1](#) [FCN-260A9920](#) [MP-5T180MUNNA-005](#)
[PCR-E36PM](#) [PCS-XE26MA+](#) [G38A71314B](#) [1571250010](#) [157-22500-3](#) [MS3471L14-19P L/C](#) [91-569786-35H](#) [172501-4002](#) [172501-6002](#)
[FCN-260C008-A/L0](#) [FCN-260C024-AL0](#) [FCN-261Z008](#) [2000314-1](#) [200331-1](#) [PCR-E36FC+](#) [PCS-E28FS+](#) [PCS-XE26SLFD+](#) [PCS-](#)
[XE26SLFDT+](#) [G730VID08BDC24](#) [U90B2054081210](#) [UE86K842720321](#) [38113800006](#) [DP3AR020WQ1R200](#) [Z4.102.0680.0](#) [500-1040](#)
[500-1052](#) [500-1054](#) [ZP-4008-66L](#) [0709821002](#) [10-565995-597N](#) [DX40-20P\(55\)](#) [5554841-1](#) [MS3474W18-8P-LC*](#) [U90B3054061110](#) [U65-](#)
[E04-4020](#) [ZPF000000000097891](#) [557-262M2-06C](#) [747360449](#) [10099439-003C-TRLF](#) [10137239-0021LF](#) [E9320-001-01](#)