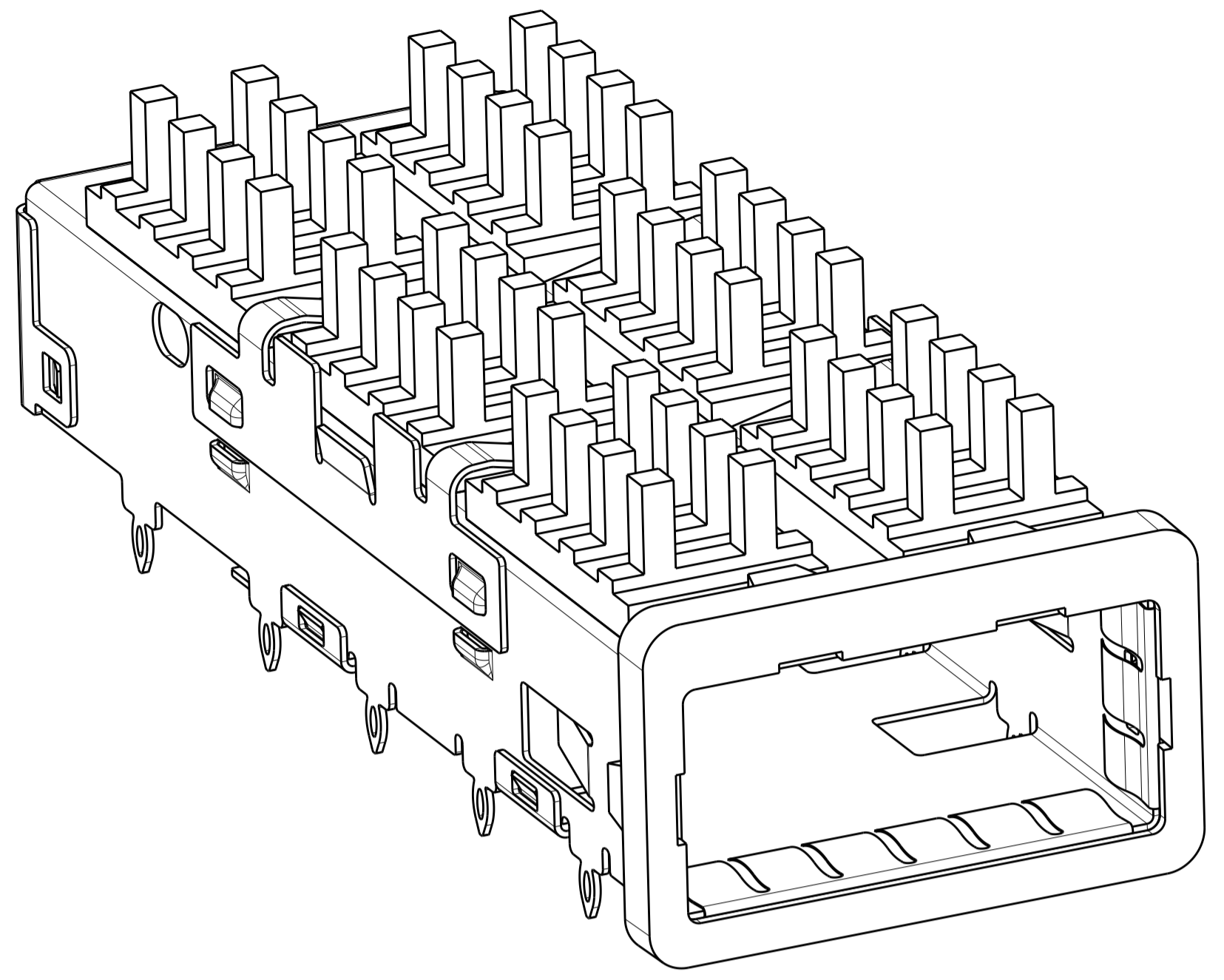
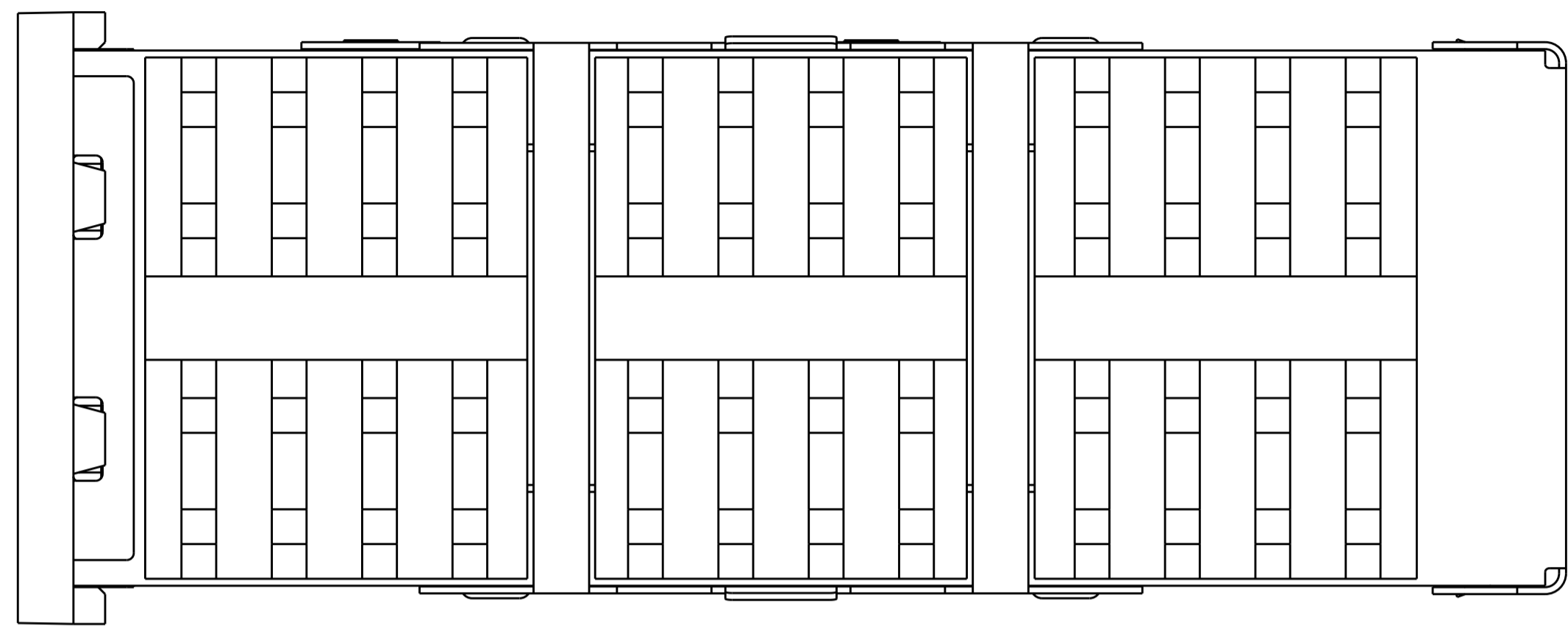


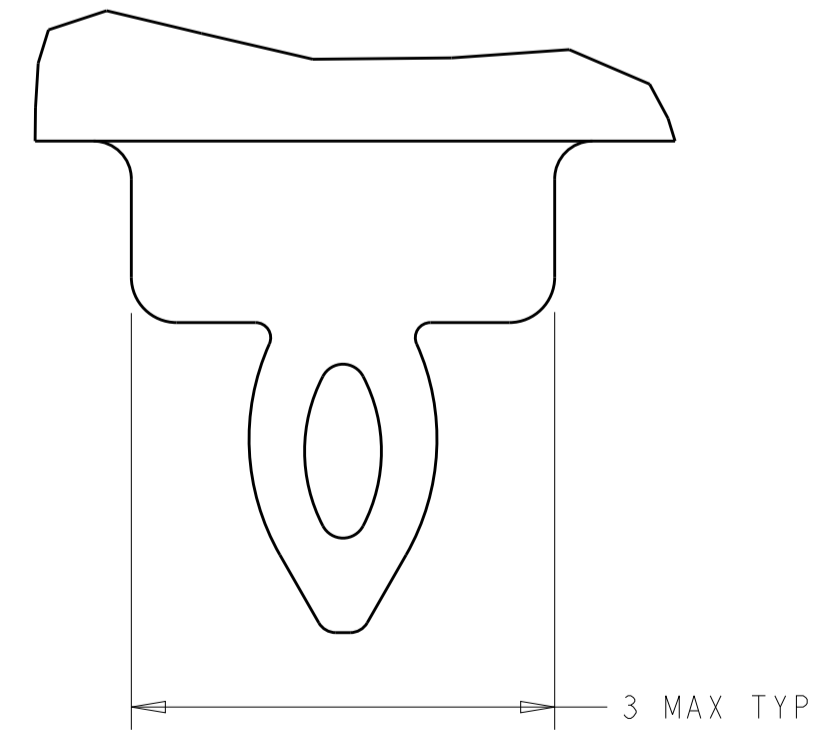
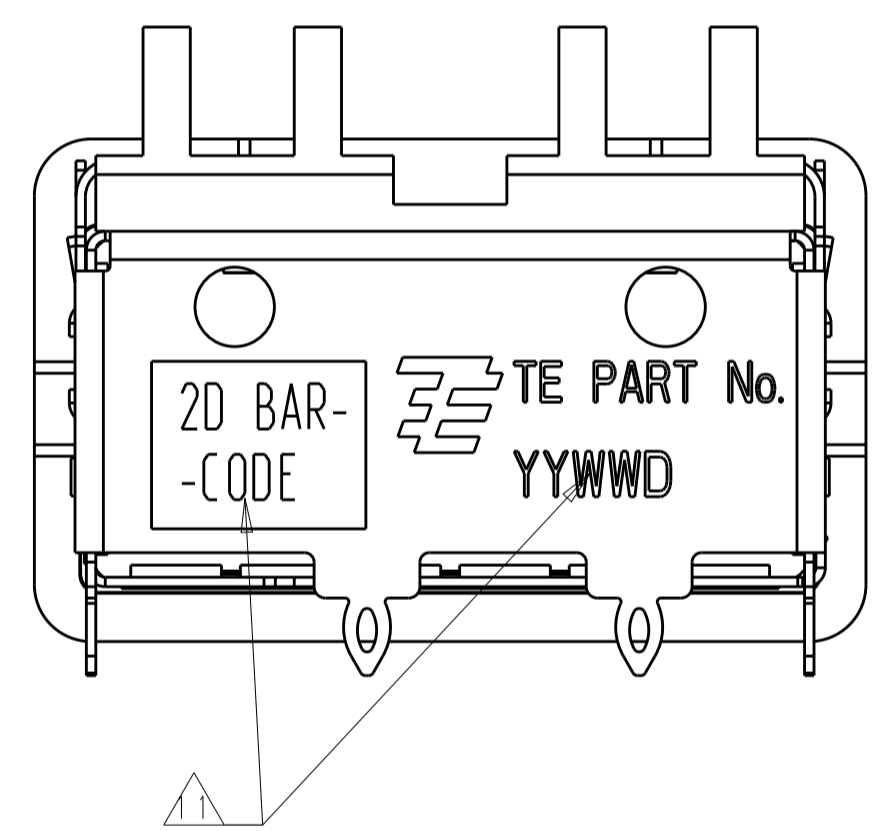
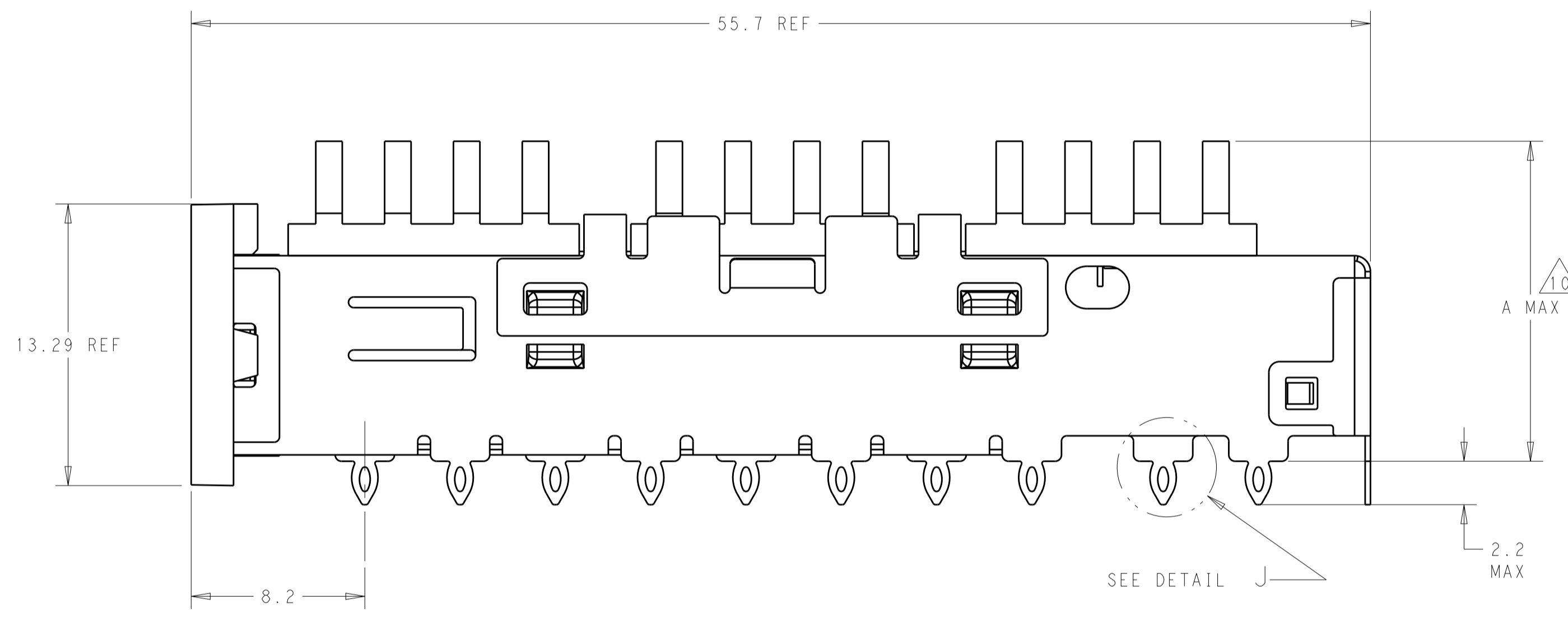
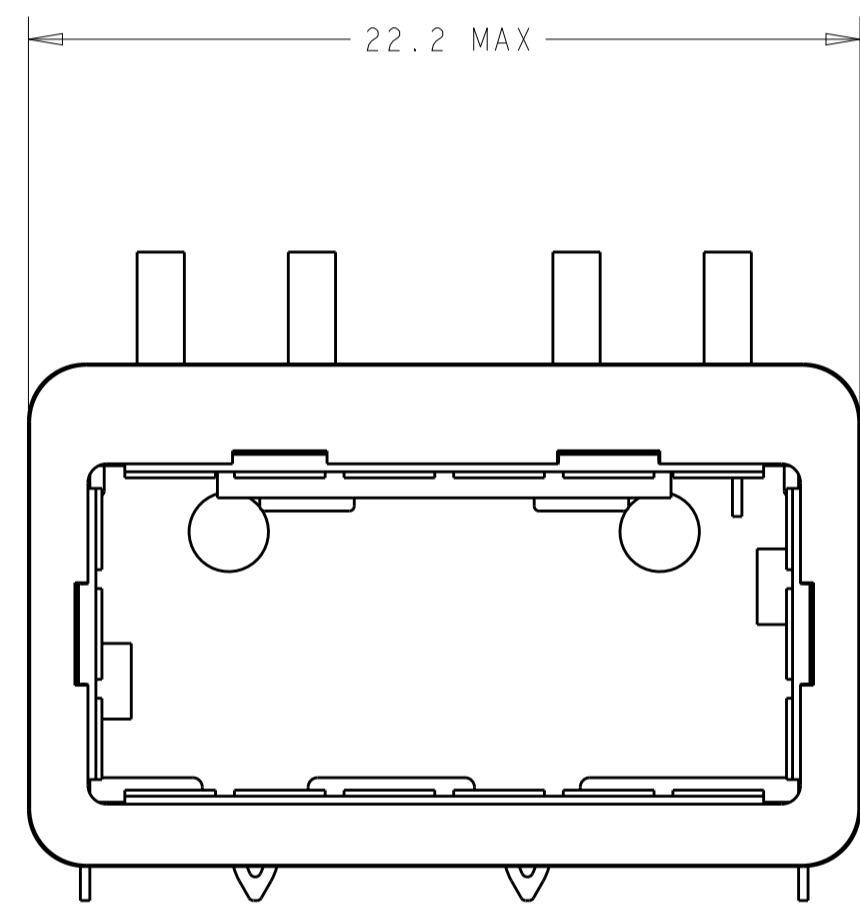
LOC	DIST	REVISIONS					
GP	00	P.	LTN	DESCRIPTION	DATE	DWN	APVD
		A		RELEASED PER ECO-13-000076	17JAN2013	CJV	EDB
		B		REVISED PER ECO-14-014947	02OCT2014	CJV	EDB
		C		REVISED PER ECO-14-018993	26MAR2015	JY	SH
		D		REVISED PER ECO-15-005721	21JUL2015	JY	SH



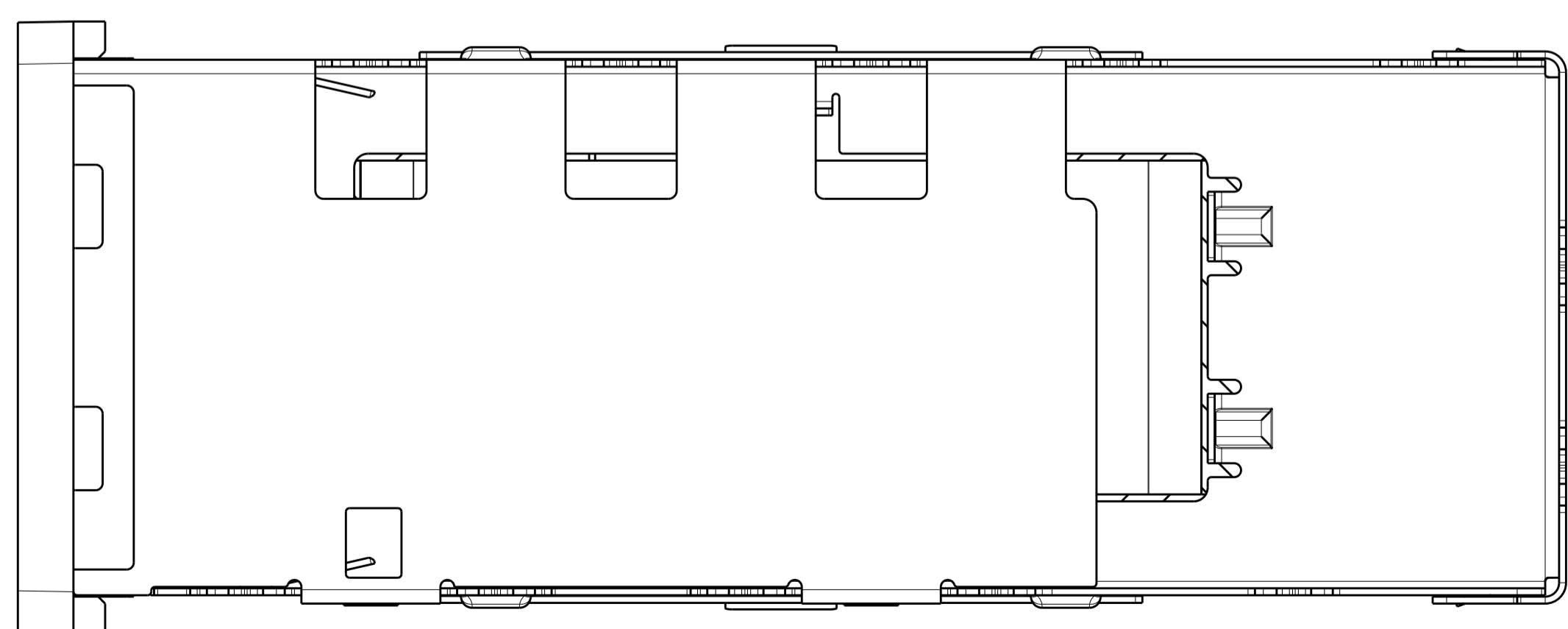
SCALE 5:1



- 1 CAGE MATERIAL: NICKEL SILVER, 0.25 THICK
 HEAT SINK MATERIAL: ALUMINUM
 HEAT SINK CLIP MATERIAL: STAINLESS STEEL
 EMI SPRING MATERIAL: COPPER ALLOY
 FRONT FLANGE MATERIAL: ZINC ALLOY
- 2 MINIMUM PITCH DIMENSION.
- 3. MATES WITH QSFP MSA COMPATIBLE TRANSCEIVER.
- 4 REFERENCE APPLICATION SPEC 114-13218 FOR RECOMMENDED DRILL HOLE DIAMETER AND PLATING THICKNESS.
- 5 DATUMS AND BASIC DIMENSIONS ESTABLISHED BY CUSTOMER.
- 6 DIMENSION C IS THE NOMINAL THICKNESS OF CUSTOMER SUPPLIED PC BOARD.
 SINGLE SIDED PC BOARD MINIMUM THICKNESS: 1.45
 DOUBLE SIDED PC BOARD MINIMUM THICKNESS: 2.7.
- 7 HEAT SINK AND CLIP SHIPPED ASSEMBLED TO CAGE ASSEMBLY
 CAGE ASSEMBLY MAY BE PRESSED INTO THE PCB AS SHIPPED.
- 8 DATUM A IS TOP SURFACE OF HOST BOARD.
- 9 SURFACE TRACES PERMITTED WITHIN THIS AREA EXCEPT WHERE CAGE STANDOFFS, SHOWN IN DETAIL J, CONTACT PC BOARD.
- 10 DIMENSION APPLIES WITH MODULE INSTALLED IN THE CAGE.
- 11 2D BARCODE AND DATE CODE (YYWW) MARKED APPROXIMATELY AS SHOWN.
- 12 EMI SPRING FINISH: 2µm MIN TIN.
 FRONT FLANGE FINISH: 3µm MIN TIN OVER 1.27µm MIN NICKEL
 OVER 5.08µm MIN COPPER.
 HEAT SINK FINISH: 0.076µm MIN NICKEL.



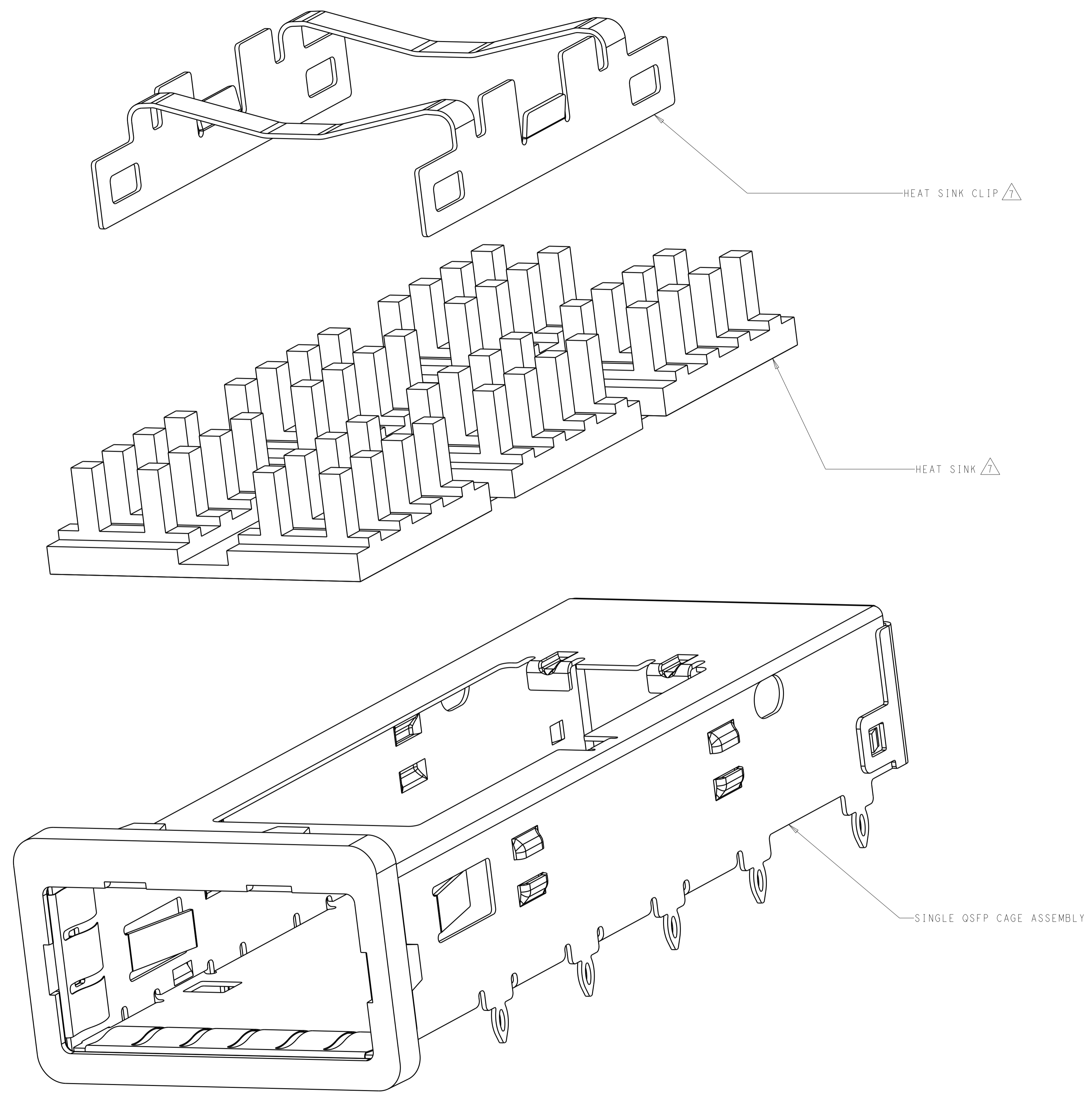
DETAIL J SCALE 20:1



23.0	NETWORKING HEAT SINK	1551892-3
16.0	SAN HEAT SINK (SHOWN)	1551892-2
13.7	PCI HEAT SINK	1551892-1
A	DESCRIPTION	PART NUMBER

THIS DRAWING IS A CONTROLLED DOCUMENT. DIMENSIONING AND TOLERANCING PER ASME Y14.5M-2009.		DWN	08NOV2010	TE Connectivity	
DIMENSIONS:		CHK	08NOV2010		
TOLERANCES UNLESS OTHERWISE SPECIFIED:		APVD	08NOV2010		
mm		NAME			
0 PLC ±0.13 1 PLC ±0.13 2 PLC ±0.13 3 PLC ±0.13 4 PLC ±0.13 ANGLES ±0.13		CAGE ASSEMBLY, BEHIND BEZEL, ZQSFP, WITH HEAT SINK			
MATERIAL		SIZE		RESTRICTED TO	
FINISH		CAGE CODE		DRAWING NO	
		WEIGHT		A100779C=1551892	
CUSTOMER DRAWING		SCALE		SHEET 1 OF 5 REV D	

LOC	DIST	REVISIONS			
P	LTN	DESCRIPTION	DATE	OWN	APVD
GP	00	SEE SHEET 1	-	-	-

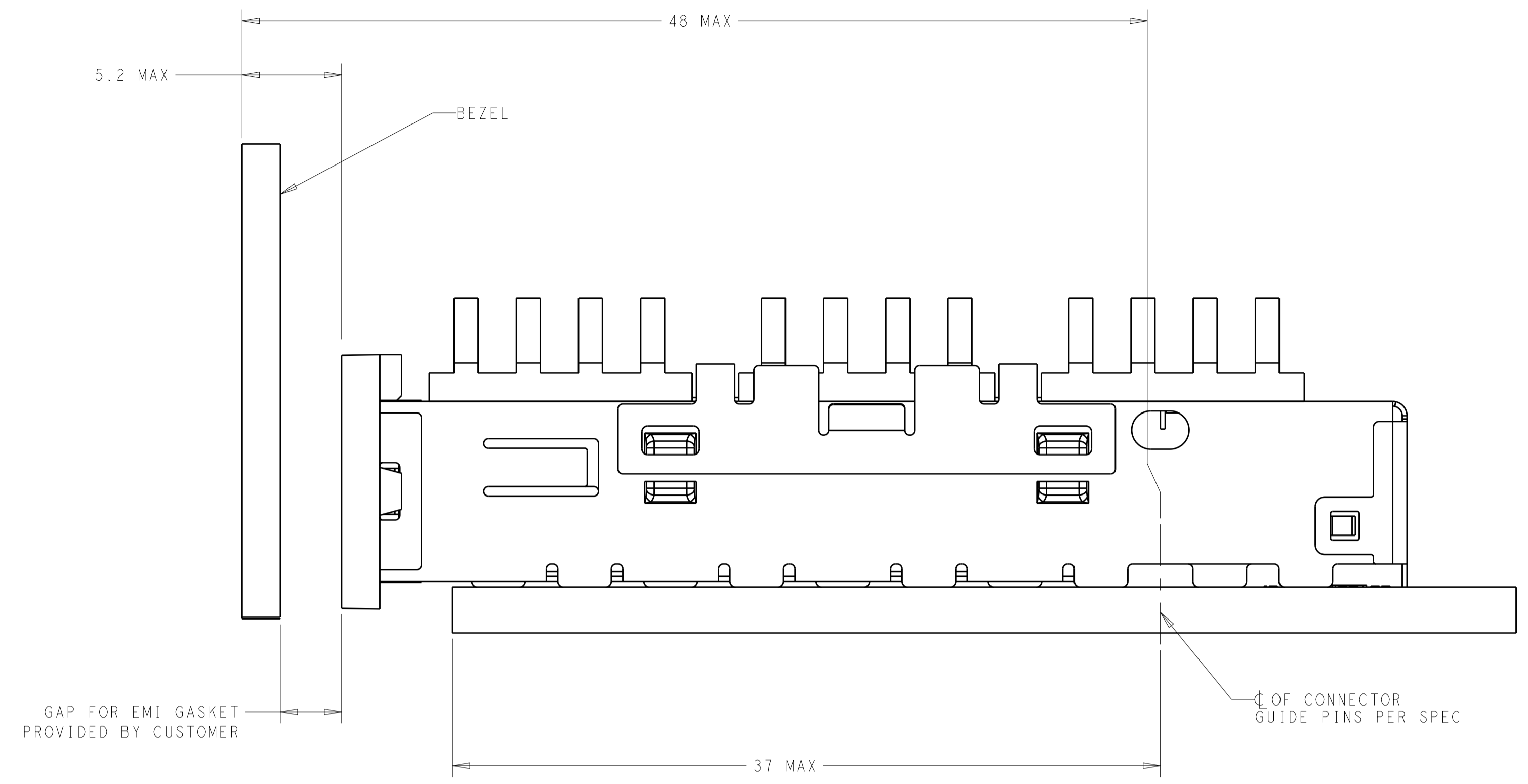
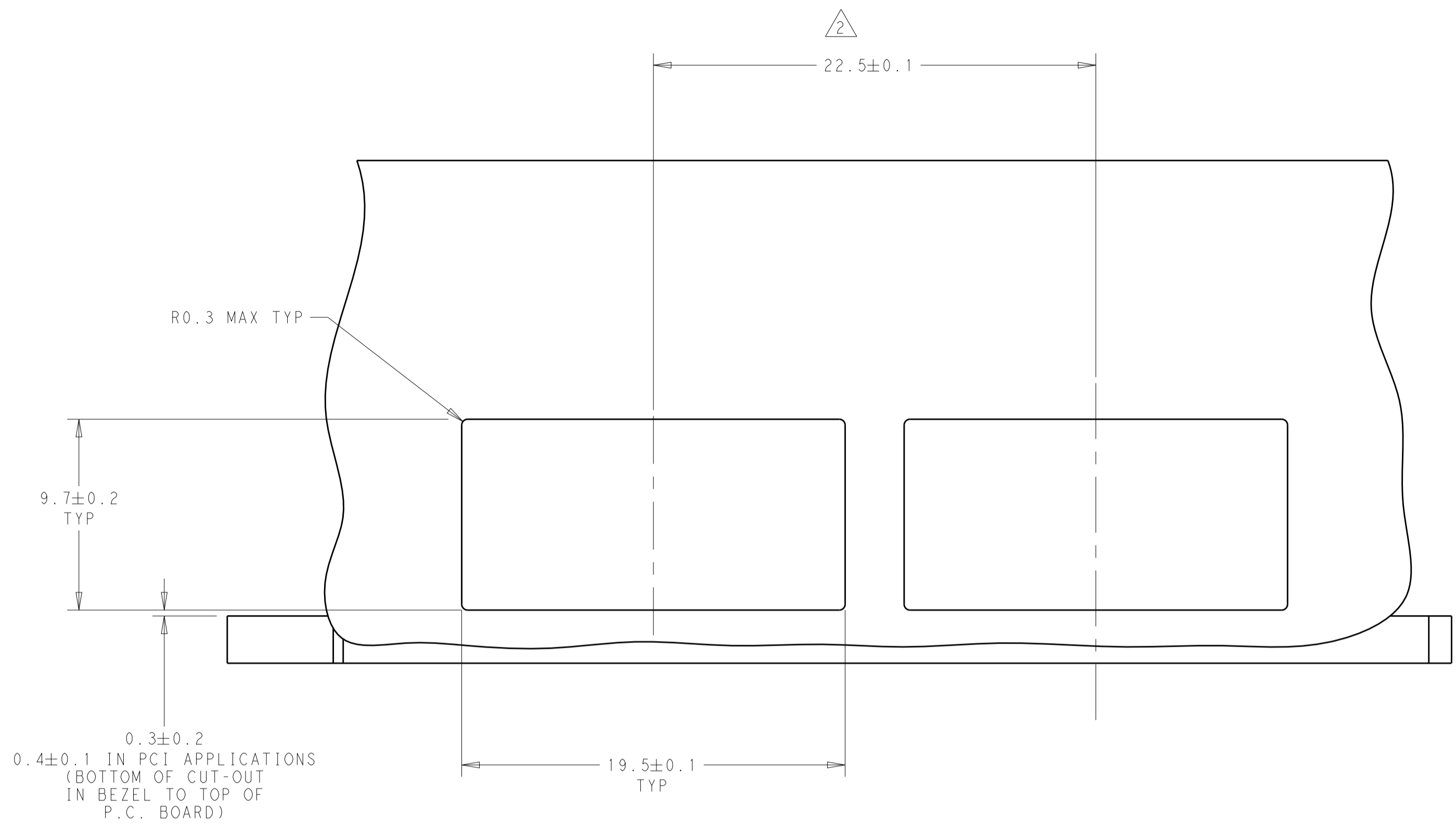


EXPLODED VIEW
SCALE 8:1

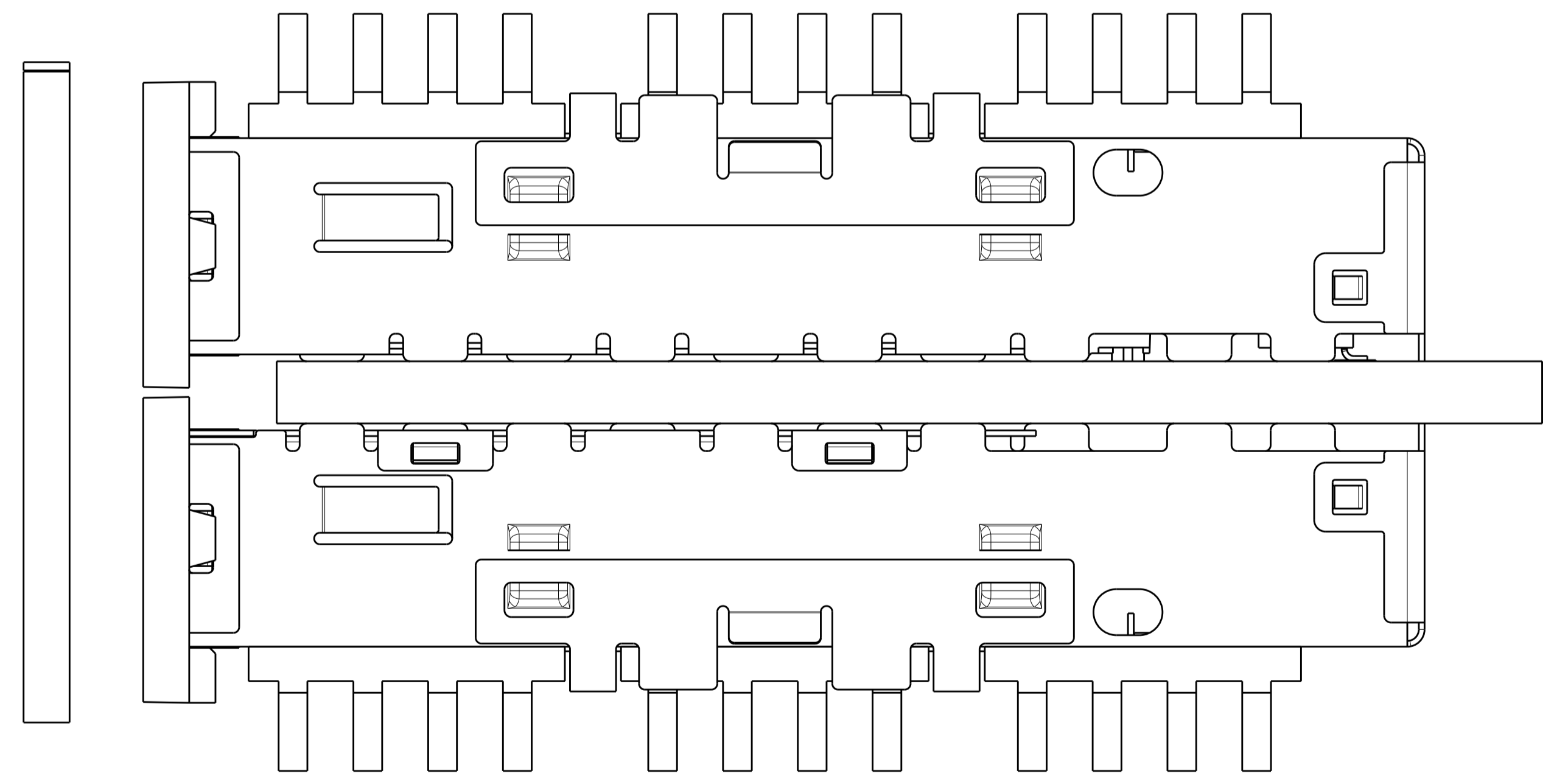
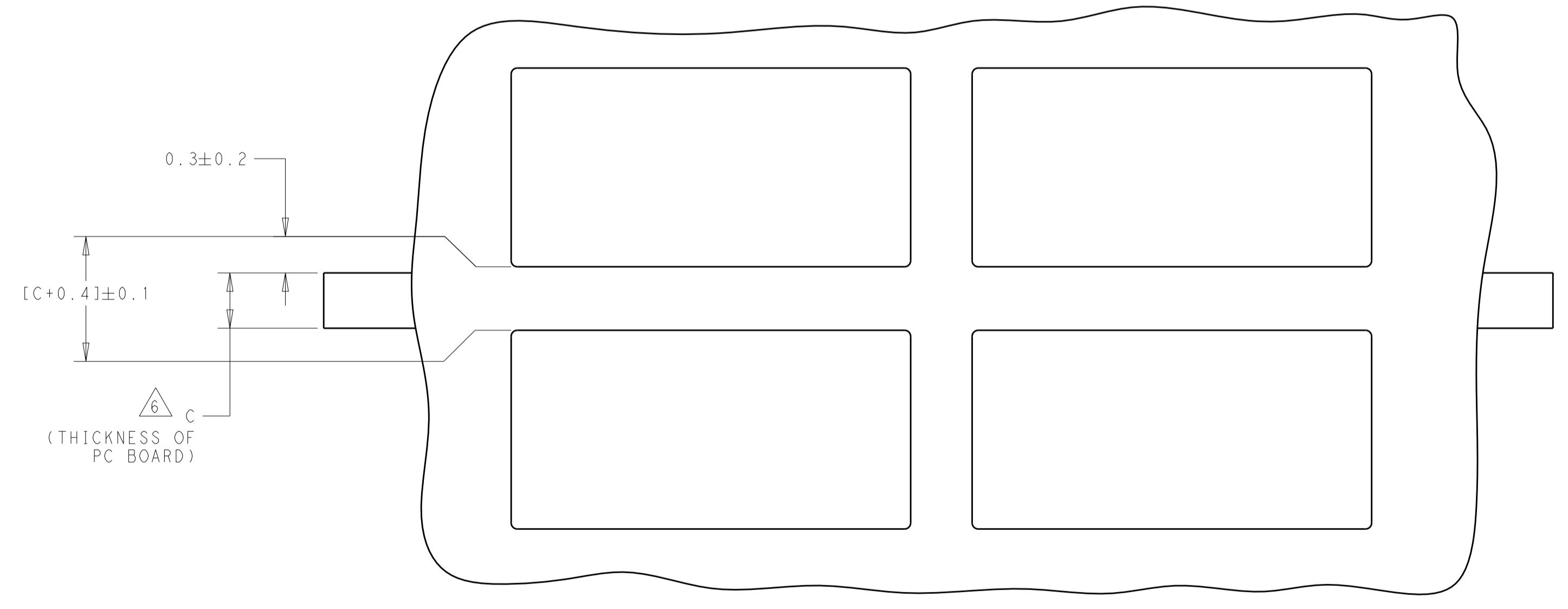
THIS DRAWING IS A CONTROLLED DOCUMENT. DIMENSIONING AND TOLERANCING PER ASME Y14.5M-2009.		OWN E. ZIJLSTRA 08NOV2010	NAME	TE Connectivity CAGE ASSEMBLY, BEHIND BEZEL, QSPF, WITH HEAT SINK
TOLERANCES UNLESS OTHERWISE SPECIFIED:		CHK R. VERBEET 08NOV2010	PRODUCT SPEC	
DIMENSIONS:		APVD T. D. ROER 08NOV2010	APPLICATION SPEC	RESTRICTED TO
mm	0 PLC ±0.13 1 PLC ±0.13 2 PLC ±0.13 3 PLC ±0.13 4 PLC ±0.13 ANGLES ±0.13	SIZE	CAGE CODE	DRAWING NO
MATERIAL	FINISH	WEIGHT	A100779	©=1551892
		CUSTOMER DRAWING	SCALE	SHEET
			5:1	2 OF 5
				REV D

LOC	DIST	REV	DATE	BY	APPV
GP	00				

REVISIONS			
NO.	DESCRIPTION	DATE	BY
-	SEE SHEET 1	-	-



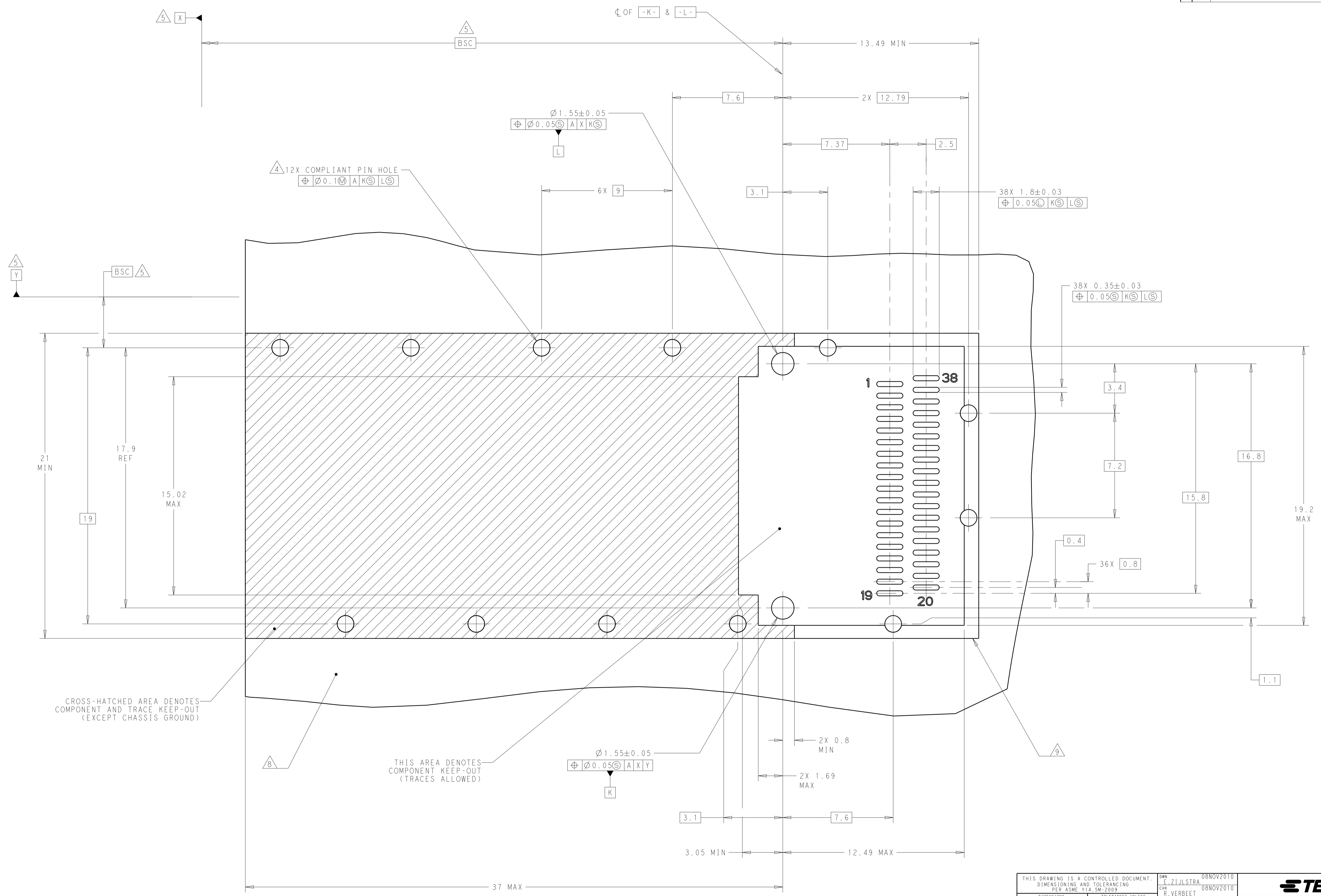
ONE SIDED CONFIGURATION



BELLY TO BELLY CONFIGURATION
 SIMILAR TO ONE SIDED EXCEPT
 WHERE NOTED

THIS DRAWING IS A CONTROLLED DOCUMENT. DIMENSIONING AND TOLERANCING PER ASME Y14.5M-2009		DWN E. ZIJLSTRA 08NOV2010	CHK R. VERBEET 08NOV2010	APVD T. D. ROER 08NOV2010	NAME CAGE ASSEMBLY, BEHIND BEZEL, ZOSFP, WITH HEAT SINK
DIMENSIONS:	TOLERANCES UNLESS OTHERWISE SPECIFIED:	MATERIAL		FINISH	RESTRICTED TO
mm	0 PLC ±0.13 1 PLC ±0.13 2 PLC ±0.13 3 PLC ±0.13 4 PLC ±0.13 ANGLES ±0.13	SCALE		5:1	SHEET 3 OF 5
MATERIAL		WEIGHT		A100779C=1551892	
CUSTOMER DRAWING		SCALE		REV D	

LOC	DIST	REVISIONS					
GP	00	P	LTH	DESCRIPTION	DATE	DWN	APVD
		-		SEE SHEET 1	-	-	-



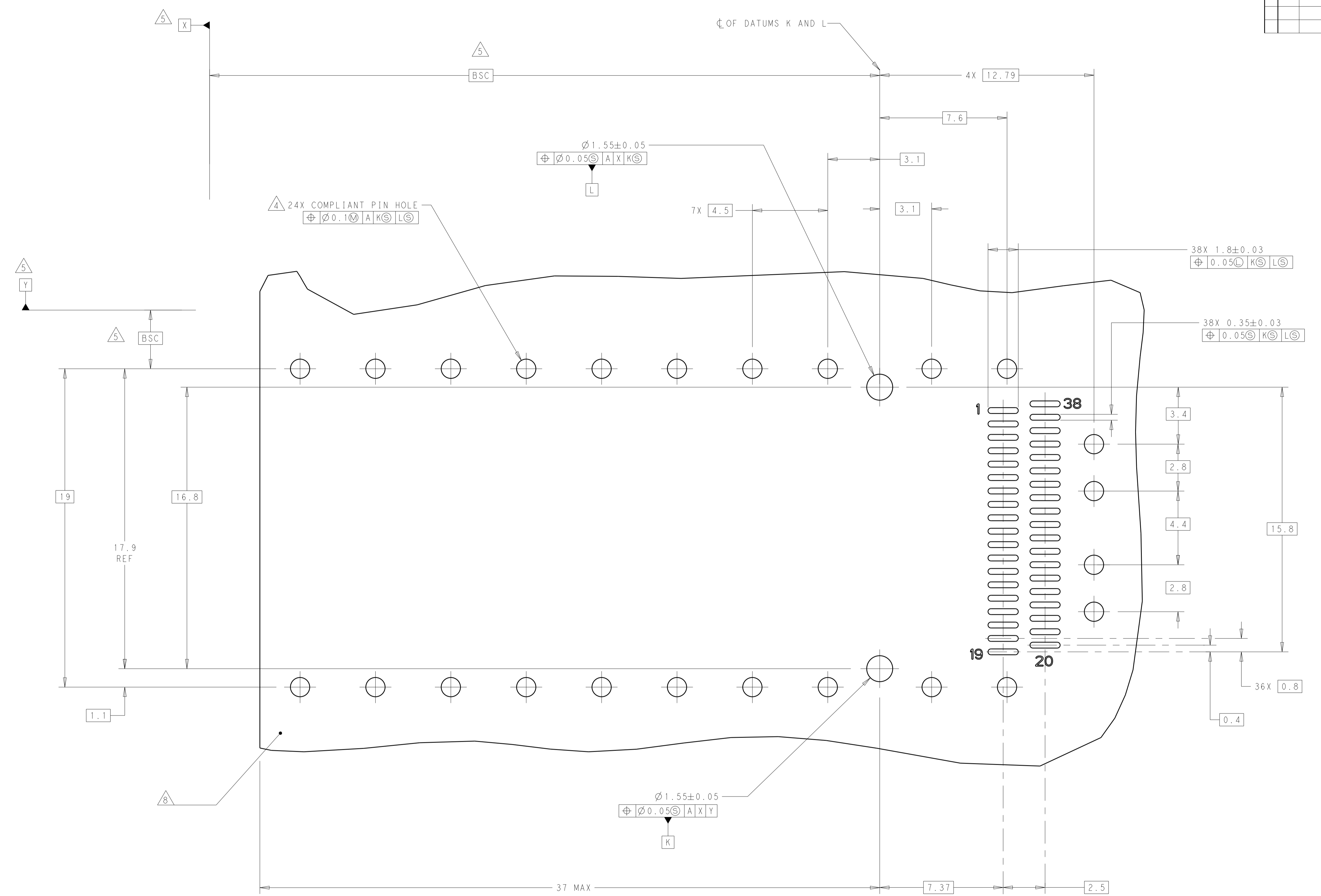
CROSS-HATCHED AREA DENOTES COMPONENT AND TRACE KEEP-OUT (EXCEPT CHASSIS GROUND)

THIS AREA DENOTES COMPONENT KEEP-OUT (TRACES ALLOWED)

RECOMMENDED PCB LAYOUT
 SINGLE SIDED CONFIGURATION
 SCALE 8:1

THIS DRAWING IS A CONTROLLED DOCUMENT. DIMENSIONING AND TOLERANCING PER ASME Y14.5M-2009		DWN E. ZIJLSTRA 08NOV2010	CHK R. VERBEET 08NOV2010	APVD T. D. ROER 08NOV2010	NAME CAGE ASSEMBLY, BEHIND BEZEL, ZOSFP, WITH HEAT SINK
DIMENSIONS: mm	TOLERANCES UNLESS OTHERWISE SPECIFIED: 0 PLC ±0.13 1 PLC ±0.13 2 PLC ±0.13 3 PLC ±0.13 4 PLC ±0.13 ANGLES ±0.13	PRODUCT SPEC	APPLICATION SPEC	SIZE A100779	RESTRICTED TO
MATERIAL	FINISH	WEIGHT	CAGE CODE 1551892	SCALE 4:1	SHEET 4 OF 5
CUSTOMER DRAWING				REV D	

LOC		DIST		REVISIONS			
P	LTN	DESCRIPTION	DATE	DMN	APVD		
-	-	SEE SHEET 1	-	-	-		



RECOMMENDED PCB LAYOUT
 BELLY TO BELLY CONFIGURATION
 SEE SHEET 4 FOR KEEP OUT AREAS
 SCALE 8:1

DIMENSIONS:		TOLERANCES UNLESS OTHERWISE SPECIFIED:		MATERIAL:		FINISH:	
mm	0 PLC	±0.13					
	1 PLC	±0.13					
	2 PLC	±0.13					
	3 PLC	±0.13					
	4 PLC	±0.13					
	ANGLES	±0.13					

DMN	E.ZIJLSMA	08NOV2010	
CHK	R.VERBEET	08NOV2010	
APVD	T.D.ROER	08NOV2010	
NAME			CAGE ASSEMBLY, BEHIND BEZEL, ZOSFP, WITH HEAT SINK
SIZE	CAGE CODE	DRAWING NO	RESTRICTED TO
A1	00779	C=1551892	-
CUSTOMER DRAWING			SCALE 4:1 SHEET 5 OF 5 REV D

X-ON Electronics

Largest Supplier of Electrical and Electronic Components

Click to view similar products for [I/O Connectors](#) category:

Click to view products by [TE Connectivity](#) manufacturer:

Other Similar products are found below :

[571763P](#) [58098-0628](#) [72.250.1628.2](#) [72.250.2428.2](#) [74720-0505](#) [76.350.0729.0](#) [76871-1403](#) [FCN-244F080-G/1](#) [FCN-260A9920](#) [PCR-E36PM](#) [PCS-XE26MA+](#) [G38A71314B](#) [1571250010](#) [157-22500-3](#) [MS3471L14-19P L/C](#) [172501-4002](#) [172501-6002](#) [FCN-260C008-A/L0](#) [FCN-260C024-AL0](#) [FCN-261Z008](#) [2000314-1](#) [200331-1](#) [PCR-E36FC+](#) [PCS-E28FS+](#) [PCS-XE26SLFD+](#) [PCS-XE26SLFDT+](#) [G730VID08BDC24](#) [U90B2054081210](#) [38113800006](#) [DP3AR020WQ1R200](#) [Z4.102.0680.0](#) [500-1040](#) [500-1052](#) [500-1054](#) [ZP-4008-66L](#) [0709821002](#) [DX40-20P\(55\)](#) [5554841-1](#) [MS3474W18-8P-LC*](#) [U90B3054061110](#) [U65-E04-4020](#) [ZPF000000000097891](#) [747360449](#) [10099439-003C-TRLF](#) [10137239-0021LF](#) [E9320-001-01](#) [10137239-0011LF](#) [70289-001LF](#) [70.060.1028.0](#) [109029-ZZ](#)