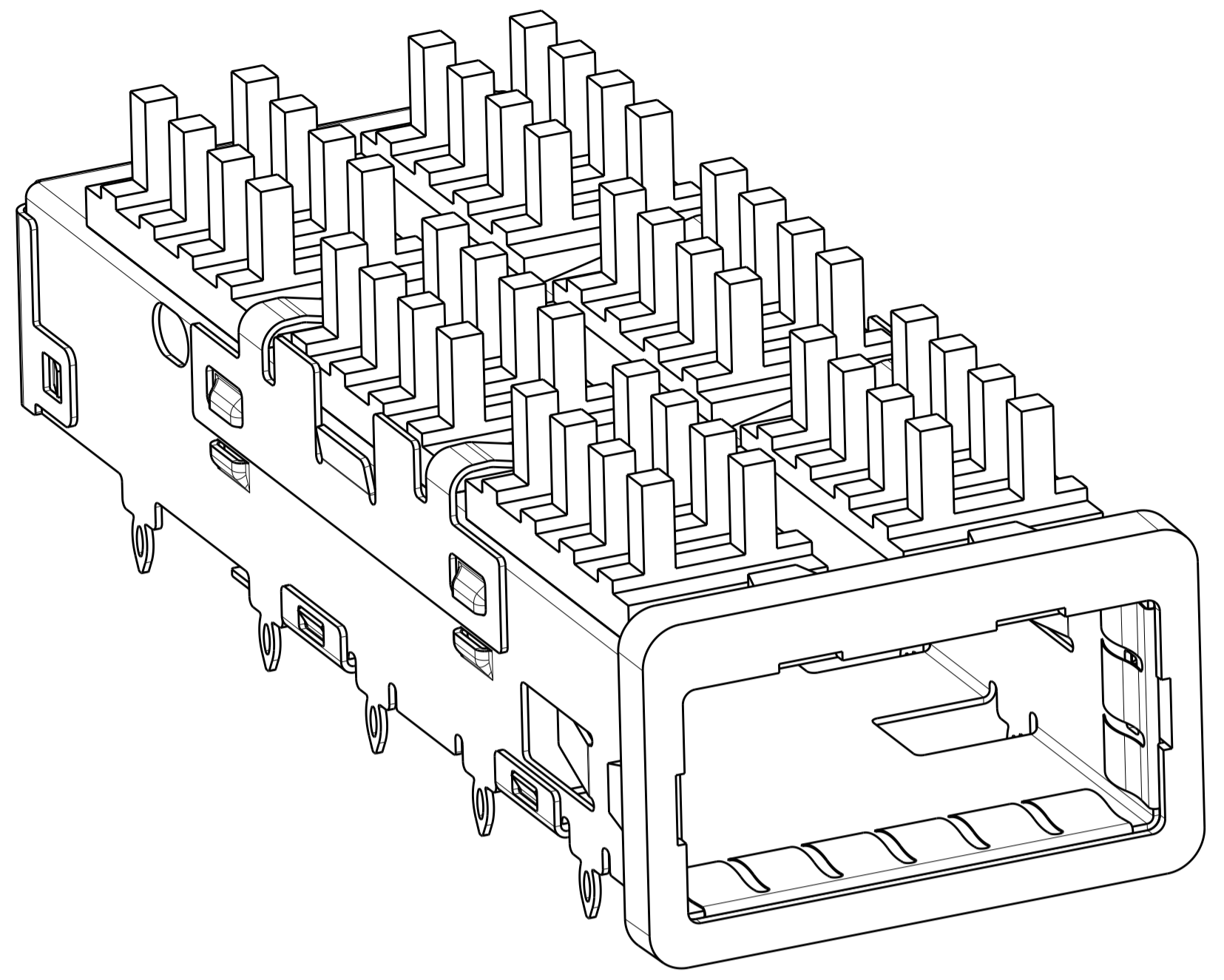
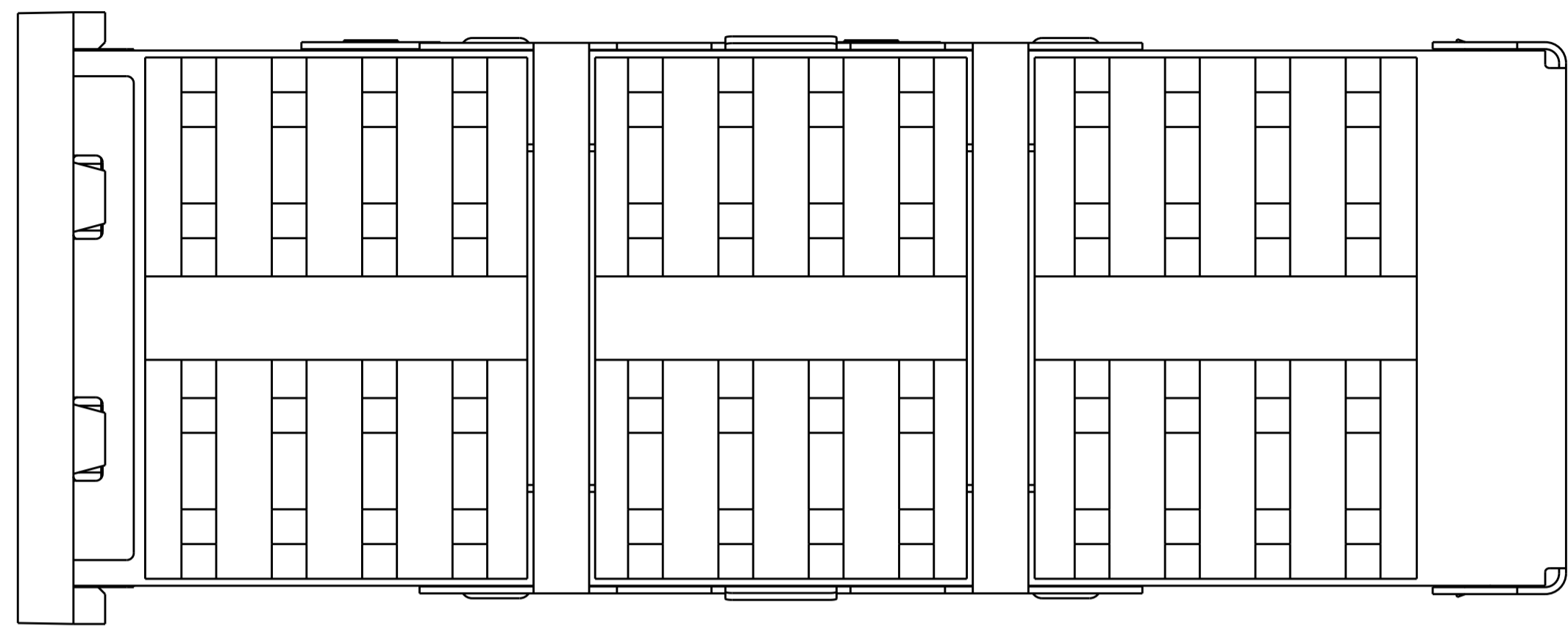


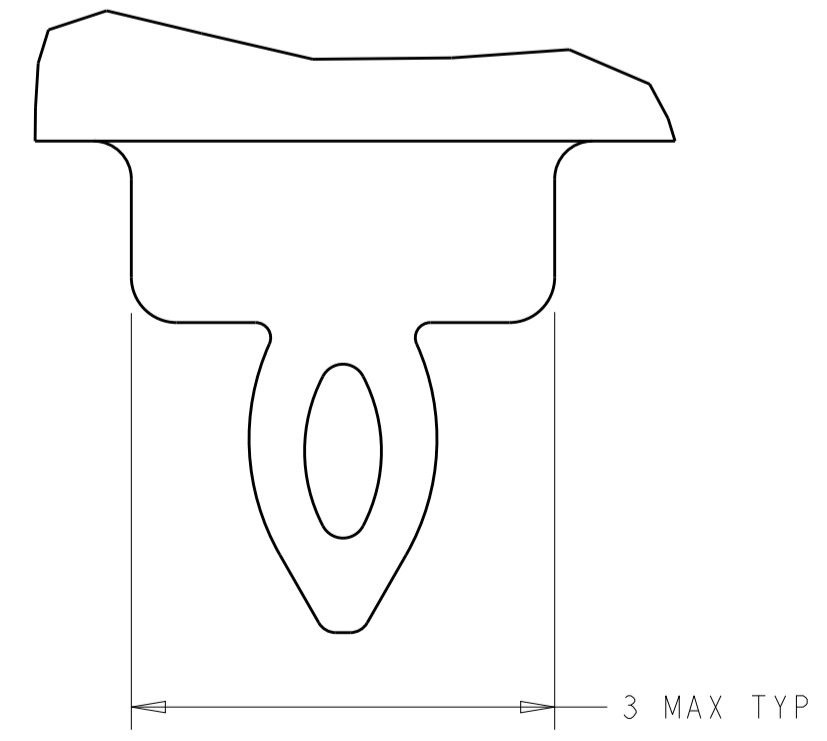
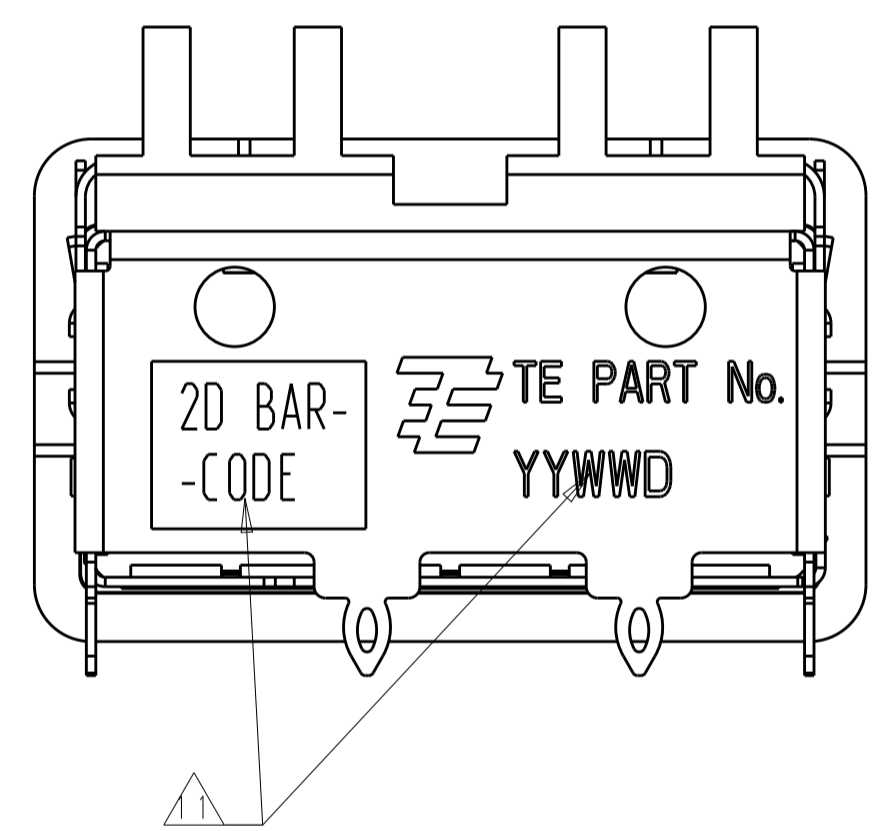
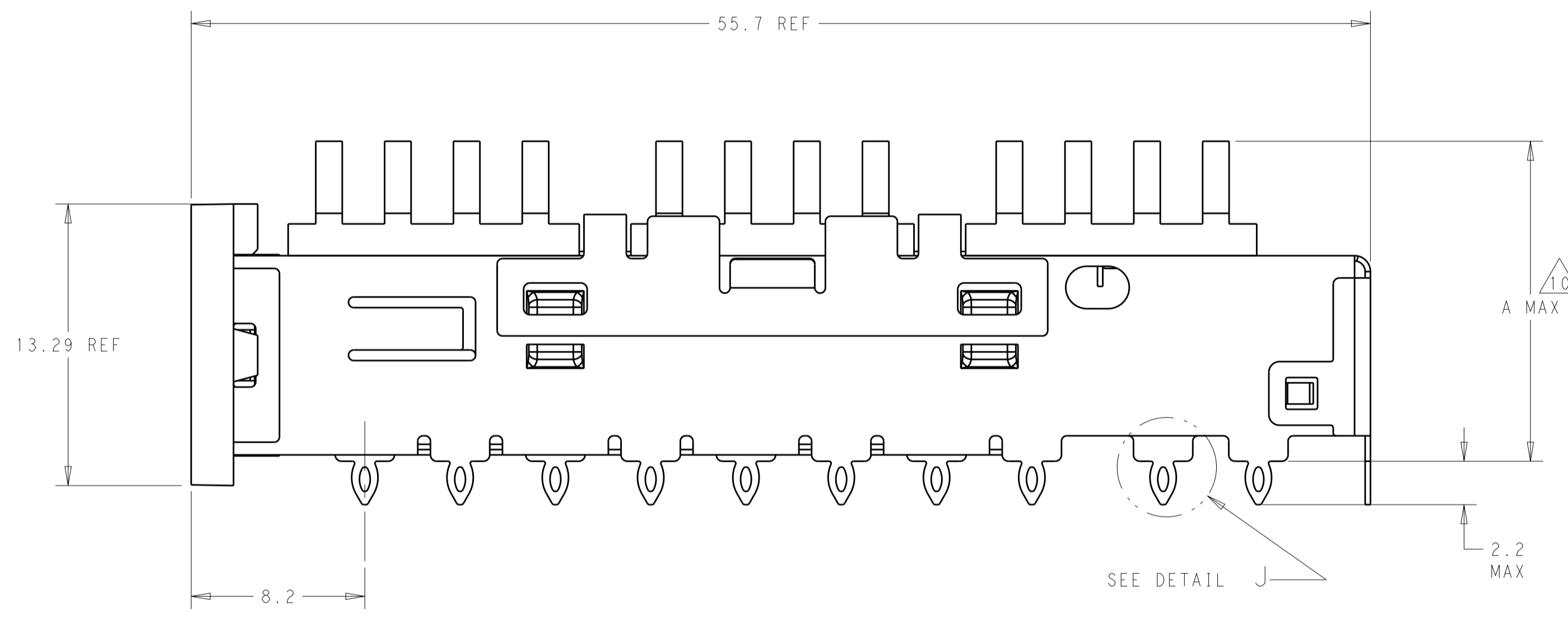
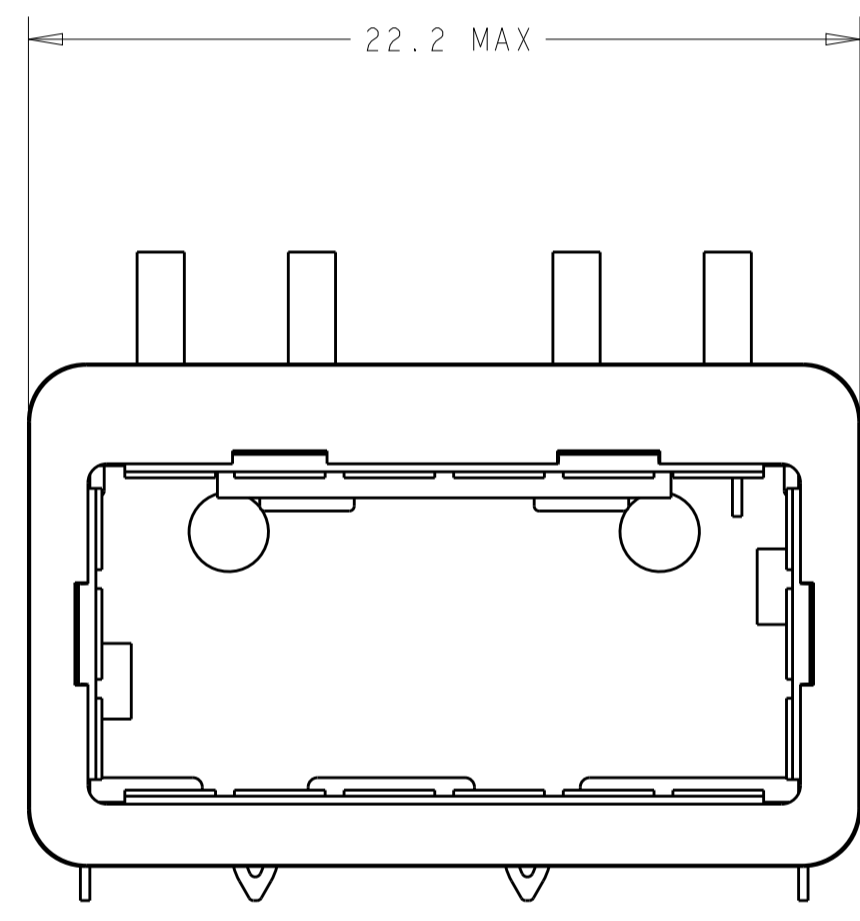
| LOC | DIST | REVISIONS |     |                            |           |     |      |
|-----|------|-----------|-----|----------------------------|-----------|-----|------|
| GP  | 00   | P.        | LTN | DESCRIPTION                | DATE      | DWN | APVD |
|     |      | A         |     | RELEASED PER ECO-13-000076 | 17JAN2013 | CJV | EDB  |
|     |      | B         |     | REVISED PER ECO-14-014947  | 02OCT2014 | CJV | EDB  |
|     |      | C         |     | REVISED PER ECO-14-018993  | 26MAR2015 | JY  | SH   |
|     |      | D         |     | REVISED PER ECO-15-005721  | 21JUL2015 | JY  | SH   |



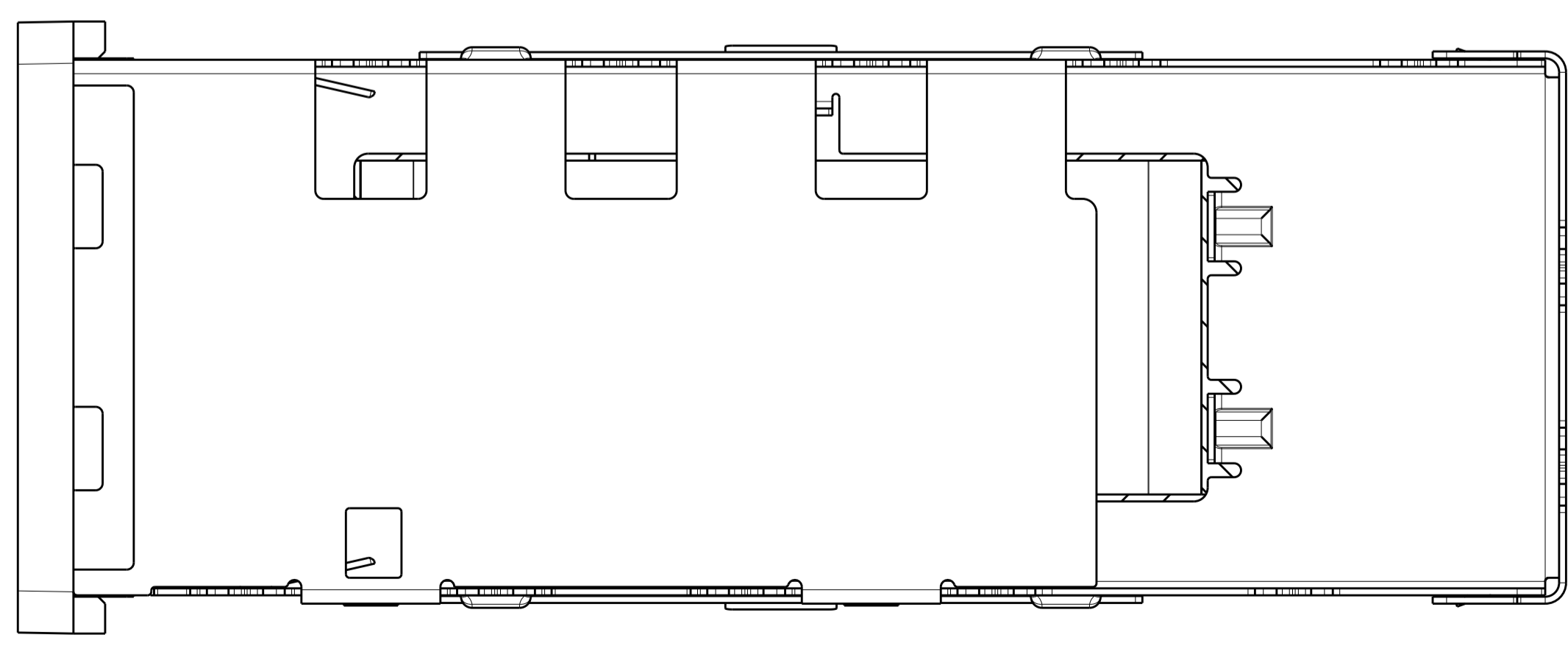
SCALE 5:1



- 1 CAGE MATERIAL: NICKEL SILVER, 0.25 THICK  
 HEAT SINK MATERIAL: ALUMINUM  
 HEAT SINK CLIP MATERIAL: STAINLESS STEEL  
 EMI SPRING MATERIAL: COPPER ALLOY  
 FRONT FLANGE MATERIAL: ZINC ALLOY
- 2 MINIMUM PITCH DIMENSION.
- 3. MATES WITH QSFP MSA COMPATIBLE TRANSCEIVER.
- 4 REFERENCE APPLICATION SPEC 114-13218 FOR RECOMMENDED DRILL HOLE DIAMETER AND PLATING THICKNESS.
- 5 DATUMS AND BASIC DIMENSIONS ESTABLISHED BY CUSTOMER.
- 6 DIMENSION C IS THE NOMINAL THICKNESS OF CUSTOMER SUPPLIED PC BOARD.  
 SINGLE SIDED PC BOARD MINIMUM THICKNESS: 1.45  
 DOUBLE SIDED PC BOARD MINIMUM THICKNESS: 2.7.
- 7 HEAT SINK AND CLIP SHIPPED ASSEMBLED TO CAGE ASSEMBLY  
 CAGE ASSEMBLY MAY BE PRESSED INTO THE PCB AS SHIPPED.
- 8 DATUM A IS TOP SURFACE OF HOST BOARD.
- 9 SURFACE TRACES PERMITTED WITHIN THIS AREA EXCEPT WHERE CAGE STANDOFFS, SHOWN IN DETAIL J, CONTACT PC BOARD.
- 10 DIMENSION APPLIES WITH MODULE INSTALLED IN THE CAGE.
- 11 2D BARCODE AND DATE CODE (YYWW) MARKED APPROXIMATELY AS SHOWN.
- 12 EMI SPRING FINISH: 2µm MIN TIN.  
 FRONT FLANGE FINISH: 3µm MIN TIN OVER 1.27µm MIN NICKEL  
 OVER 5.08µm MIN COPPER.  
 HEAT SINK FINISH: 0.076µm MIN NICKEL.



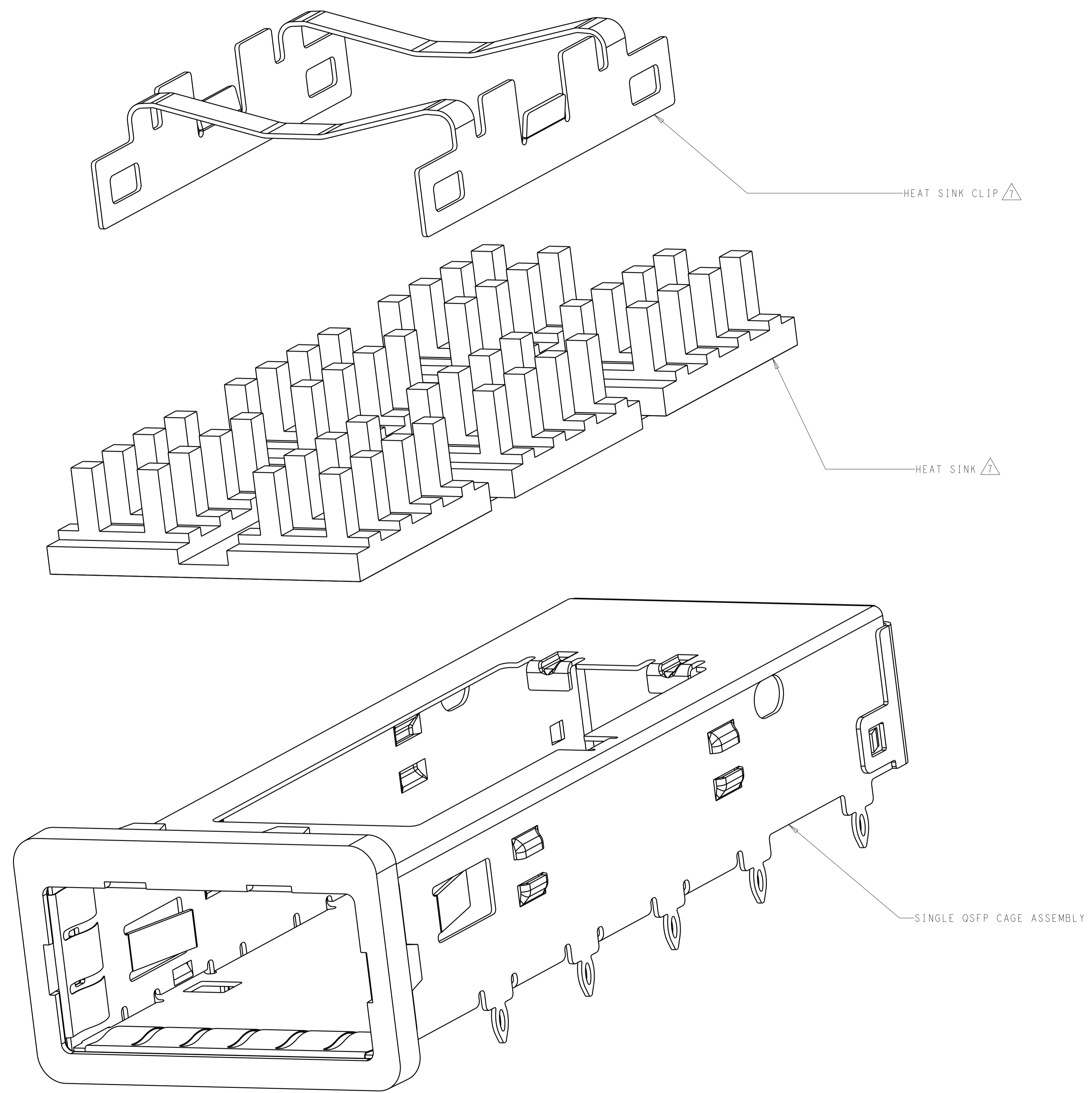
DETAIL J SCALE 20:1



|      |                       |             |
|------|-----------------------|-------------|
| 23.0 | NETWORKING HEAT SINK  | 1551892-3   |
| 16.0 | SAN HEAT SINK (SHOWN) | 1551892-2   |
| 13.7 | PCI HEAT SINK         | 1551892-1   |
| A    | DESCRIPTION           | PART NUMBER |

| THIS DRAWING IS A CONTROLLED DOCUMENT. DIMENSIONING AND TOLERANCING PER ASME Y14.5M-2009. |  | DWN  | 08NOV2010 | TE Connectivity    |  |
|---|--|--|-----------|--------------------|--|
| DIMENSIONS:   |  | CHK  | 08NOV2010 |                    |  |
| TOLERANCES UNLESS OTHERWISE SPECIFIED:  |  | APVD   | 08NOV2010 |                    |  |
| mm  |  | NAME   |           |                    |  |
| 0 PLC ±0.13<br>1 PLC ±0.13<br>2 PLC ±0.13<br>3 PLC ±0.13<br>4 PLC ±0.13<br>ANGLES ±0.13   |  | CAGE ASSEMBLY, BEHIND BEZEL, ZQSFP, WITH HEAT SINK |           |                    |  |
| MATERIAL  |  | SIZE   |           | RESTRICTED TO      |  |
| FINISH  |  | CAGE CODE  |           | DRAWING NO         |  |
|   |  | WEIGHT   |           | A100779C=1551892   |  |
| CUSTOMER DRAWING  |  | SCALE  |           | SHEET 1 OF 5 REV D |  |

| LOC | DIST | REVISIONS   |      |     |      |
|-----|------|-------------|------|-----|------|
| P   | LTN  | DESCRIPTION | DATE | OWN | APVD |
| GP  | 00   | SEE SHEET 1 | -    | -   | -    |
|     |      |             |      |     |      |
|     |      |             |      |     |      |



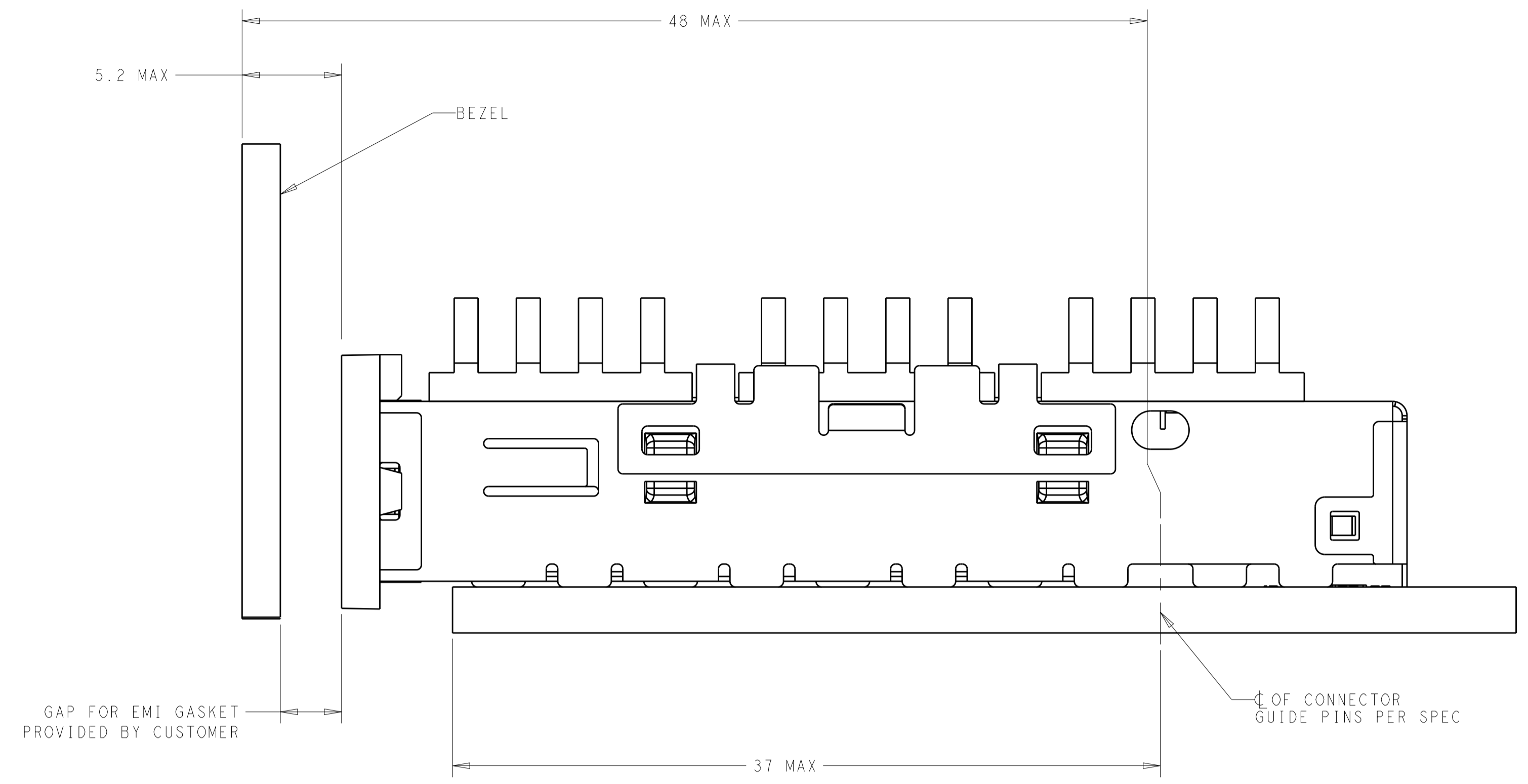
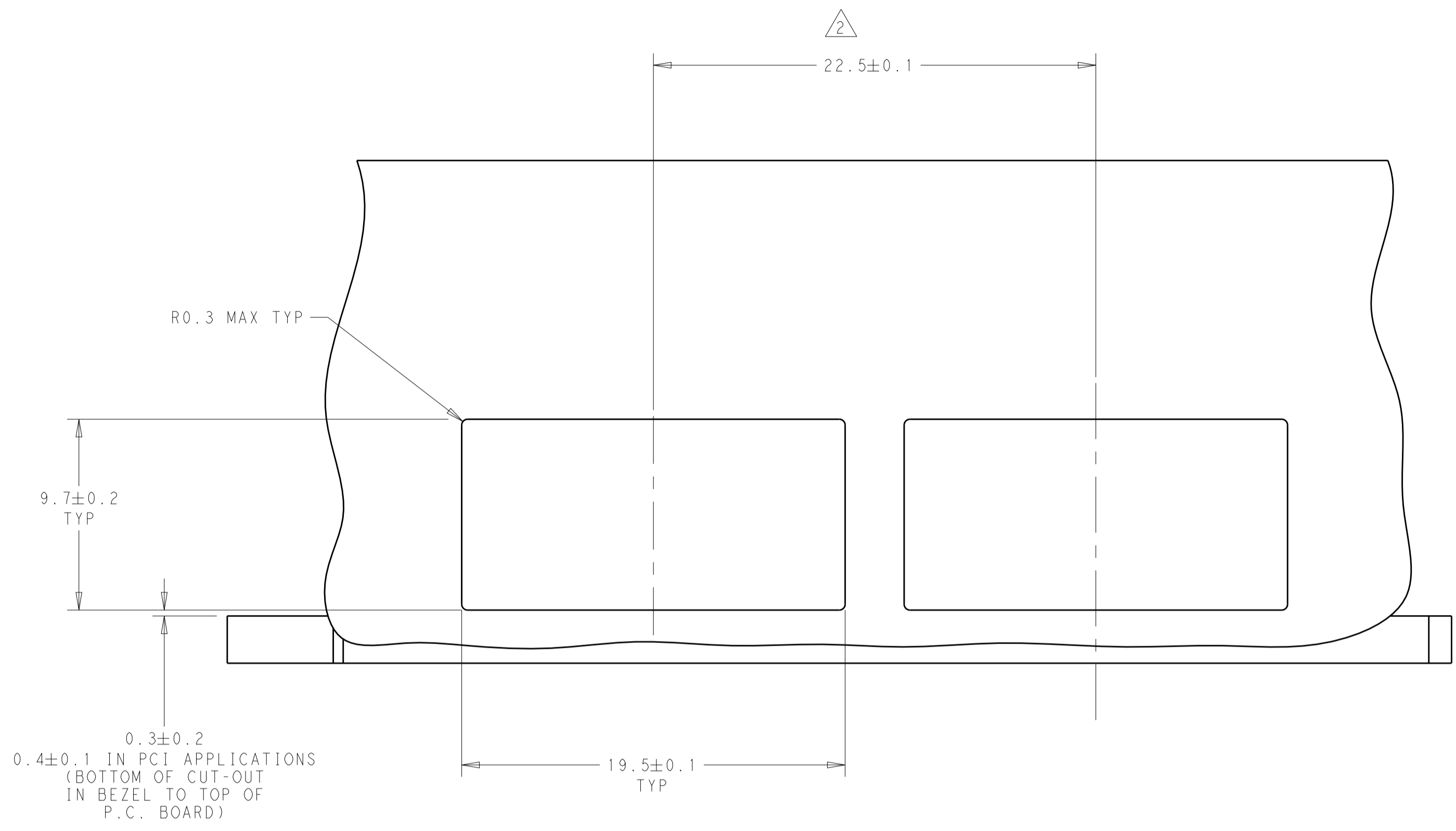
EXPLODED VIEW  
SCALE 8:1

|   |        |                              |   |
|---|--------|------------------------------|---|
| THIS DRAWING IS A CONTROLLED DOCUMENT. DIMENSIONING AND TOLERANCING PER ASME Y14.5M-2009. |        | OWN<br>E. ZIJLSTRA 08NOV2010 | NAME<br>CAGE ASSEMBLY, BEHIND BEZEL, QSPF, WITH HEAT SINK |
| DIMENSIONS: mm  |        | CHK<br>R. VERBEET 08NOV2010  | RESTRICTED TO   |
| TOLERANCES UNLESS OTHERWISE SPECIFIED:  |        | APVD<br>T. D. ROER 08NOV2010 | SIZE<br>A100779   |
| 0 PLC   | ±0.13  | PRODUCT SPEC                 | CAGE CODE<br>C=1551892                                    |
| 1 PLC   | ±0.13  | APPLICATION SPEC             | SCALE<br>5:1  |
| 2 PLC   | ±0.13  | WEIGHT                       | SHEET<br>2 OF 5   |
| 3 PLC   | ±0.13  | CUSTOMER DRAWING             | REV<br>D  |
| 4 PLC   | ±0.13  |                              |   |
| ANGLES  | ±0.13  |                              |   |
| MATERIAL  | FINISH |                              |   |

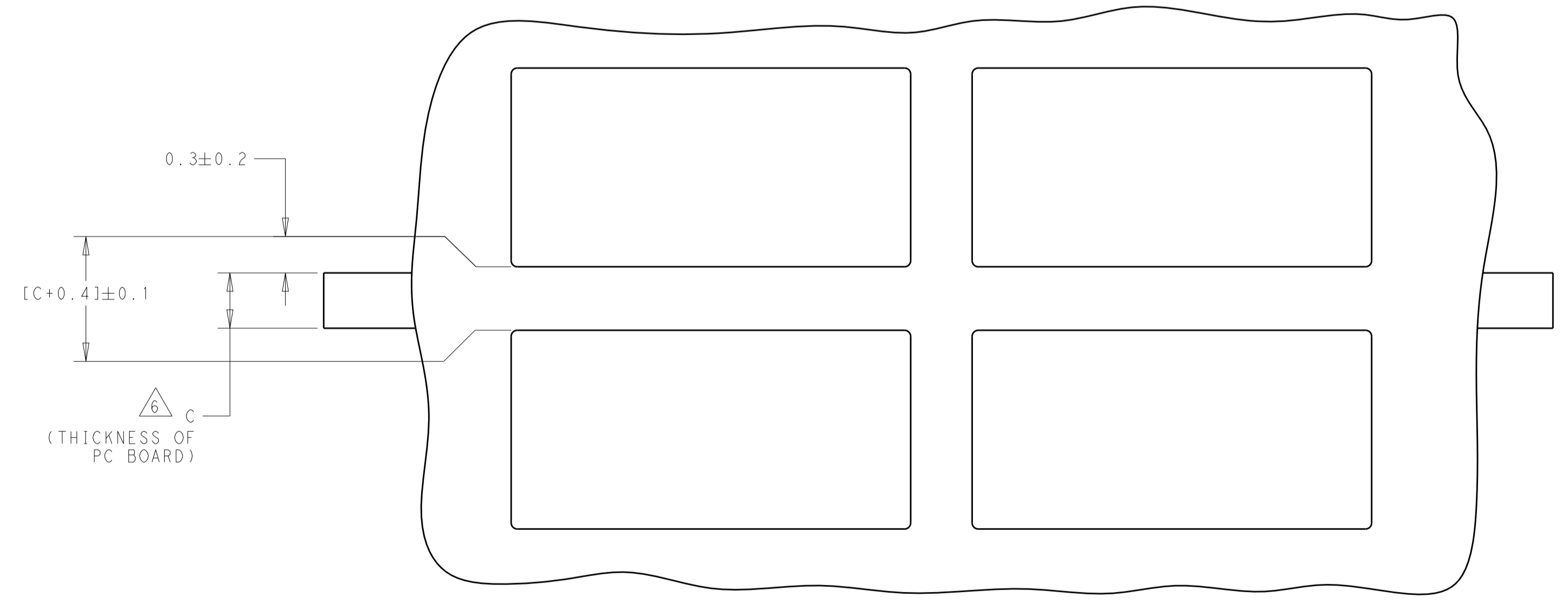
| LOC | DIST | REV | DATE | BY | APPV |
|-----|------|-----|------|----|------|
| GP  | 00   |     |      |    |      |

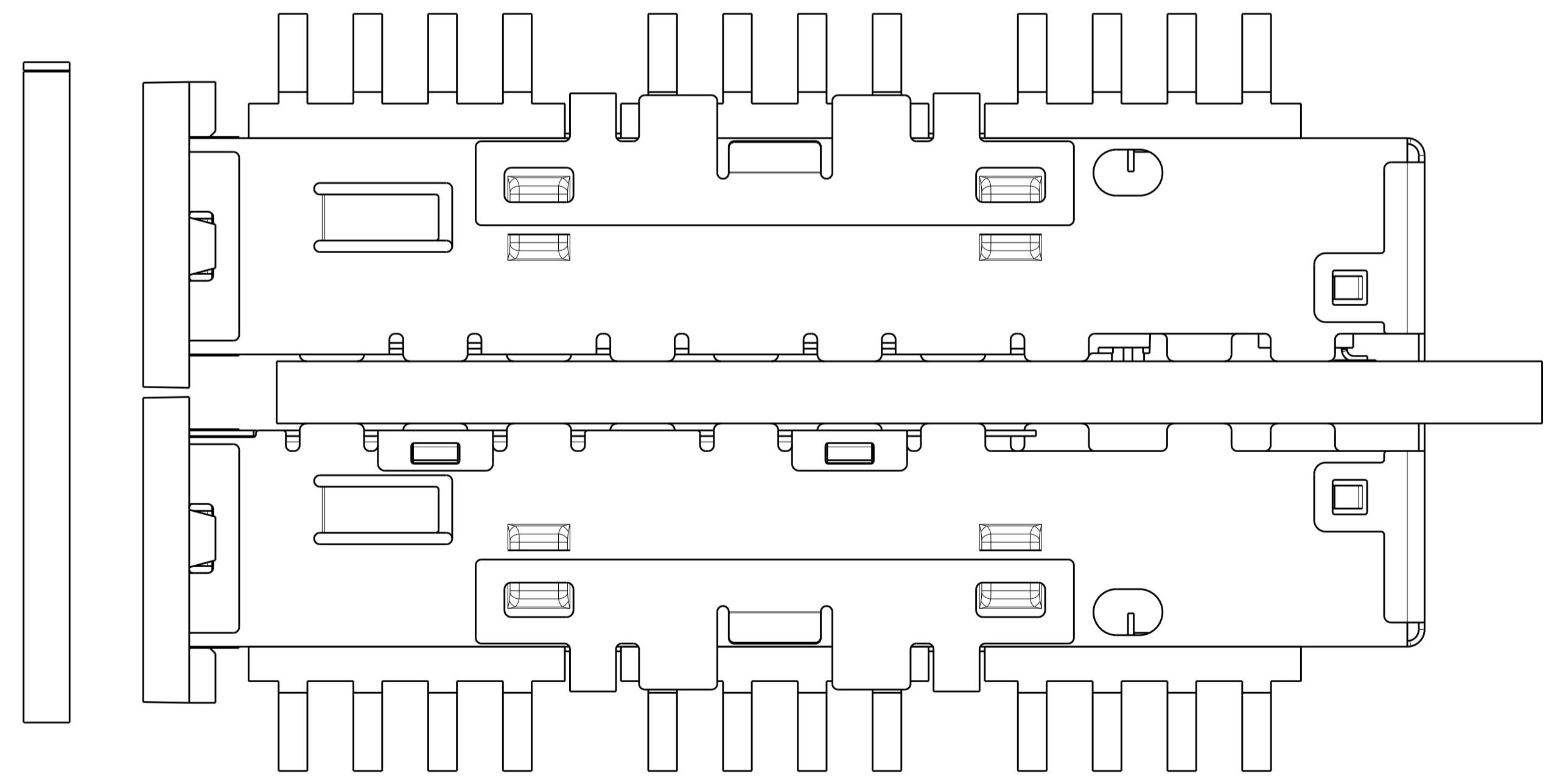
| REVISIONS   |      |    |      |
|-------------|------|----|------|
| REV         | DATE | BY | APPV |
| -           | -    | -  | -    |
| SEE SHEET 1 |      |    |      |



ONE SIDED CONFIGURATION

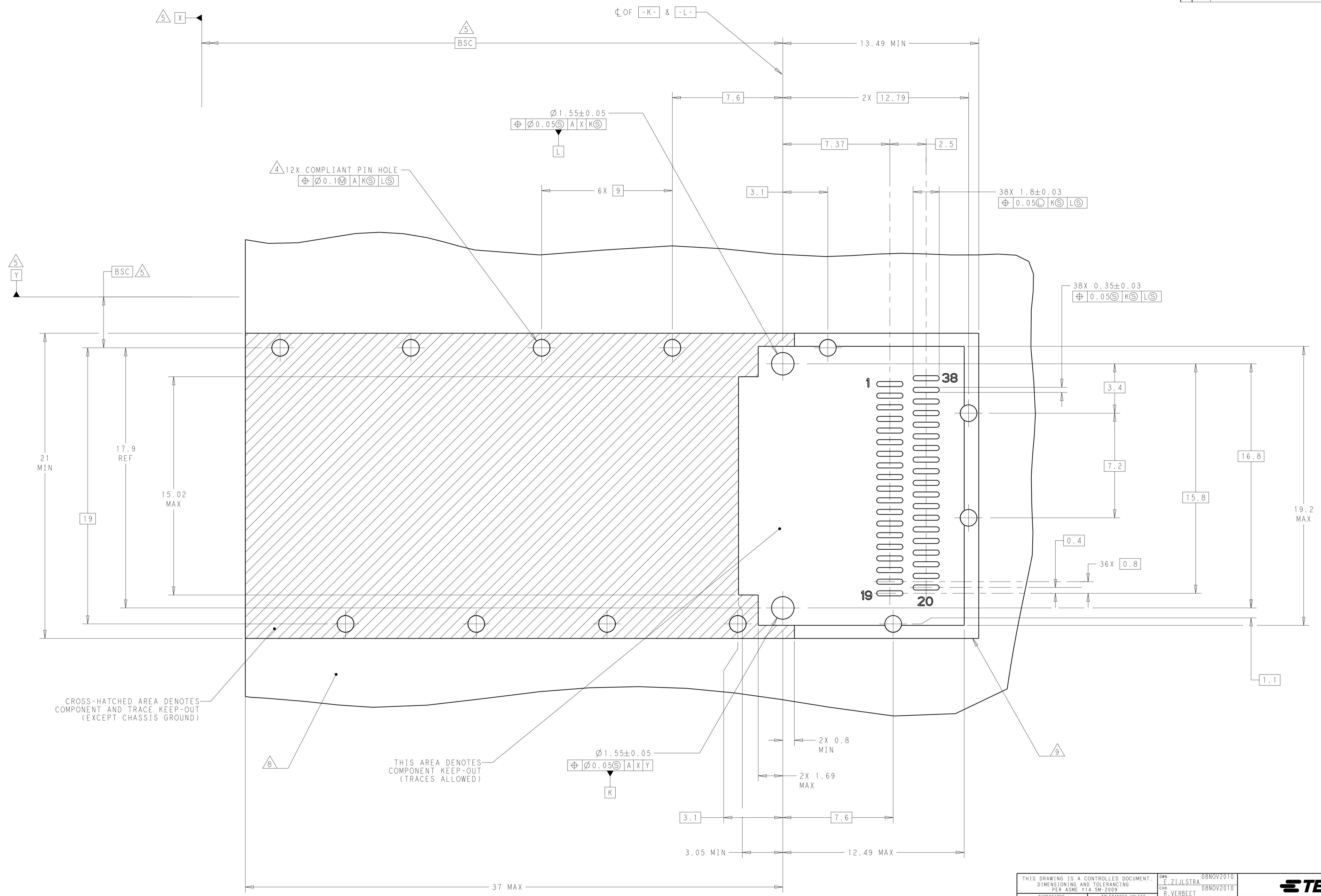


BELLY TO BELLY CONFIGURATION  
 SIMILAR TO ONE SIDED EXCEPT  
 WHERE NOTED



|  |   |                                 |                                |  |  |
|--|---|---------------------------------|--------------------------------|--|--|
| THIS DRAWING IS A CONTROLLED DOCUMENT. DIMENSIONING AND TOLERANCING PER ASME Y14.5M-2009 |   | DWN<br>E. ZIJLSTRA<br>08NOV2010 | CHK<br>R. VERBEET<br>08NOV2010 | APVD<br>T. D. ROER<br>08NOV2010          | NAME<br>CAGE ASSEMBLY, BEHIND BEZEL, ZOSFP, WITH HEAT SINK |
| DIMENSIONS:  | TOLERANCES UNLESS OTHERWISE SPECIFIED:  | MATERIAL                        |                                |  | RESTRICTED TO  |
| mm   | 0 PLC ±0.13<br>1 PLC ±0.13<br>2 PLC ±0.13<br>3 PLC ±0.13<br>4 PLC ±0.13<br>ANGLES ±0.13 | FINISH                          |                                |  | SCALE 5:1 SHEET 3 OF 5 REV D                               |
| MATERIAL   |   | WEIGHT                          |                                | CAGE CODE DRAWING NO<br>A100779C=1551892 |  |
| CUSTOMER DRAWING   |   | SCALE 5:1                       |                                | SHEET 3 OF 5 REV D                       |  |

| LOC | DIST | REVISIONS |     |             |      |     |      |
|-----|------|-----------|-----|-------------|------|-----|------|
| GP  | 00   | P         | LTH | DESCRIPTION | DATE | DWN | APVD |
|     |      | -         |     | SEE SHEET 1 | -    | -   | -    |



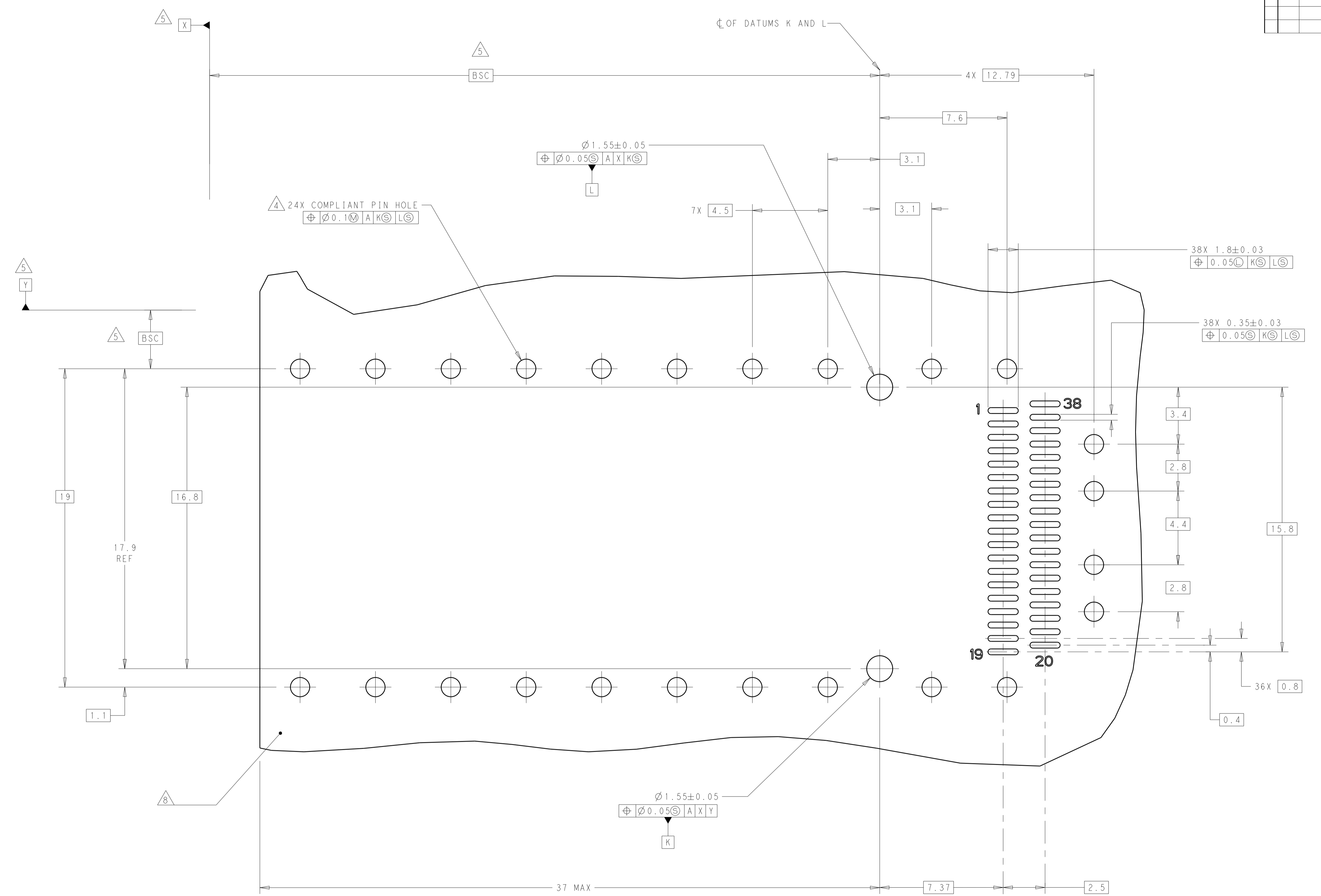
CROSS-HATCHED AREA DENOTES COMPONENT AND TRACE KEEP-OUT (EXCEPT CHASSIS GROUND)

THIS AREA DENOTES COMPONENT KEEP-OUT (TRACES ALLOWED)

RECOMMENDED PCB LAYOUT  
 SINGLE SIDED CONFIGURATION  
 SCALE 8:1

|  |   |                                 |                                |                                 |  |
|--|---|---------------------------------|--------------------------------|---------------------------------|--|
| THIS DRAWING IS A CONTROLLED DOCUMENT. DIMENSIONING AND TOLERANCING PER ASME Y14.5M-2009 |   | DWN<br>E. ZIJLSTRA<br>08NOV2010 | CHK<br>R. VERBEET<br>08NOV2010 | APVD<br>T. D. ROER<br>08NOV2010 | NAME<br>CAGE ASSEMBLY, BEHIND BEZEL, ZOSFP, WITH HEAT SINK |
| DIMENSIONS:<br>mm  | TOLERANCES UNLESS OTHERWISE SPECIFIED:<br>0 PLC ±0.13<br>1 PLC ±0.13<br>2 PLC ±0.13<br>3 PLC ±0.13<br>4 PLC ±0.13<br>ANGLES ±0.13 | PRODUCT SPEC                    | APPLICATION SPEC               | SIZE<br>A100779                 | RESTRICTED TO  |
| MATERIAL   | FINISH  | WEIGHT                          | CAGE CODE<br>1551892           | SCALE<br>4:1                    | SHEET<br>4 OF 5  |
| CUSTOMER DRAWING   |   |                                 | REV<br>D                       |                                 |  |

| LOC | DIST | REVISIONS   |      |    |      |
|-----|------|-------------|------|----|------|
| GP  | 00   | REV         | DATE | BY | APPV |
| -   | -    | SEE SHEET 1 | -    | -  | -    |



RECOMMENDED PCB LAYOUT  
 BELLY TO BELLY CONFIGURATION  
 SEE SHEET 4 FOR KEEP OUT AREAS  
 SCALE 8:1

|  |   |  |  |
|--|---|--|--|
| THIS DRAWING IS A CONTROLLED DOCUMENT. DIMENSIONING AND TOLERANCING PER ASME Y14.5M-2009 |   | DWN E.ZIJLSTRA 08NOV2010<br>CHK R.VERBEET 08NOV2010<br>APVD T.D.ROER 08NOV2010 | NAME<br><b>STE</b> TE Connectivity<br>CAGE ASSEMBLY, BEHIND BEZEL,<br>ZOSFP, WITH HEAT SINK    |
| DIMENSIONS:<br>mm<br>  | TOLERANCES UNLESS OTHERWISE SPECIFIED:<br>0 PLC ±0.13<br>1 PLC ±0.13<br>2 PLC ±0.13<br>3 PLC ±0.13<br>4 PLC ±0.13<br>ANGLES ±0.13 | PRODUCT SPEC<br>APPLICATION SPEC<br>WEIGHT<br>CUSTOMER DRAWING                 | SIZE CAGE CODE DRAWING NO<br>A100779C=1551892<br>RESTRICTED TO<br>SCALE 4:1 SHEET 5 OF 5 REV D |

## X-ON Electronics

Largest Supplier of Electrical and Electronic Components

*Click to view similar products for [I/O Connectors](#) category:*

*Click to view products by [TE Connectivity](#) manufacturer:*

Other Similar products are found below :

[571763P](#) [58098-0628](#) [72.250.1628.2](#) [72.250.2428.2](#) [74720-0505](#) [76.350.0729.0](#) [76871-1403](#) [FCN-244F080-G/1](#) [FCN-260A9920](#) [PCR-E36PM](#) [PCS-XE26MA+](#) [G38A71314B](#) [1571250010](#) [157-22500-3](#) [MS3471L14-19P L/C](#) [172501-4002](#) [172501-6002](#) [FCN-260C008-A/L0](#) [FCN-260C024-AL0](#) [FCN-261Z008](#) [2000314-1](#) [200331-1](#) [PCR-E36FC+](#) [PCS-E28FS+](#) [PCS-XE26SLFD+](#) [PCS-XE26SLFDT+](#) [G730VID08BDC24](#) [U90B2054081210](#) [38113800006](#) [DP3AR020WQ1R200](#) [Z4.102.0680.0](#) [500-1040](#) [500-1052](#) [500-1054](#) [ZP-4008-66L](#) [0709821002](#) [DX40-20P\(55\)](#) [5554841-1](#) [MS3474W18-8P-LC\\*](#) [U90B3054061110](#) [U65-E04-4020](#) [ZPF000000000097891](#) [747360449](#) [10099439-003C-TRLF](#) [10137239-0021LF](#) [E9320-001-01](#) [10137239-0011LF](#) [70289-001LF](#) [70.060.1028.0](#) [109029-ZZ](#)