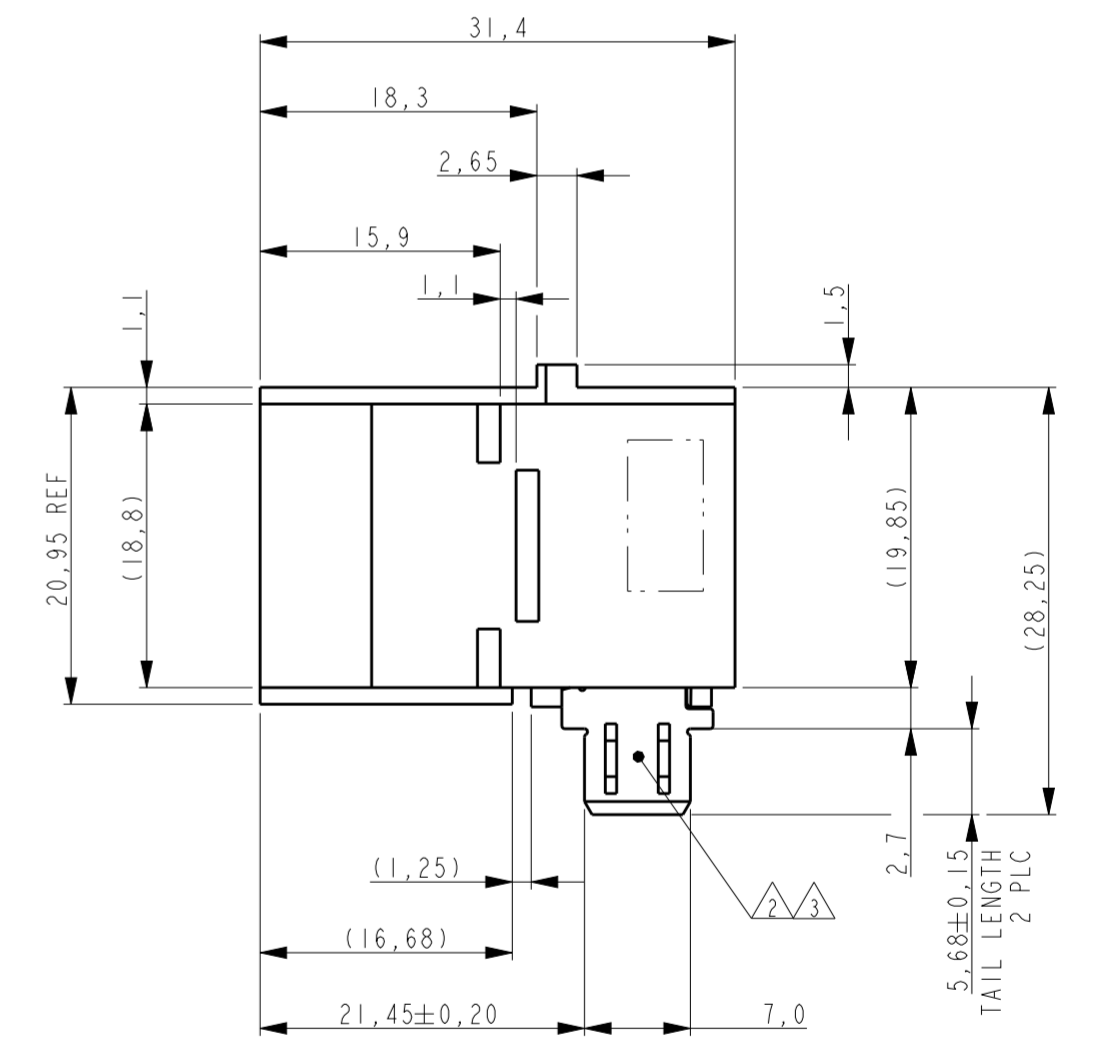
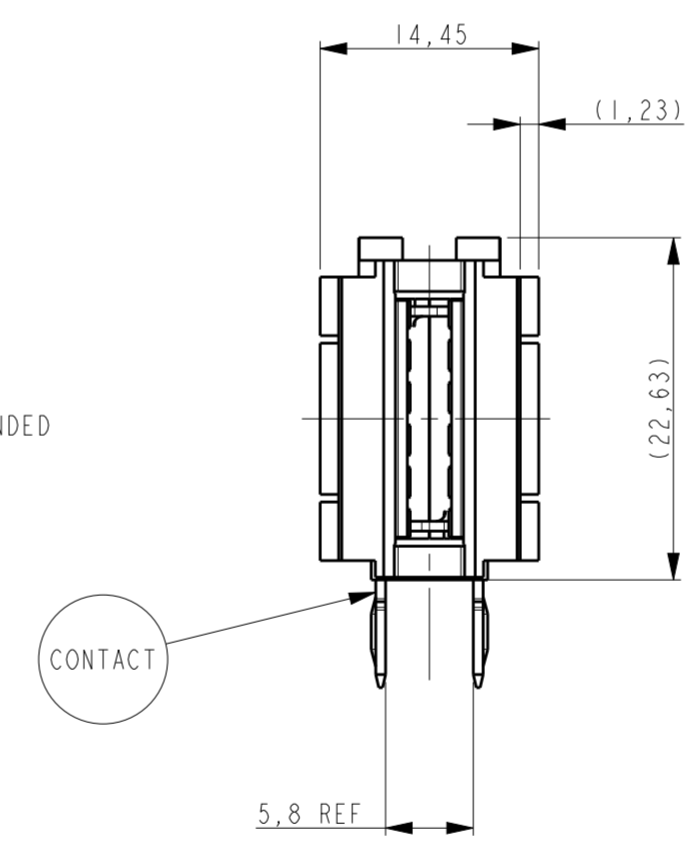
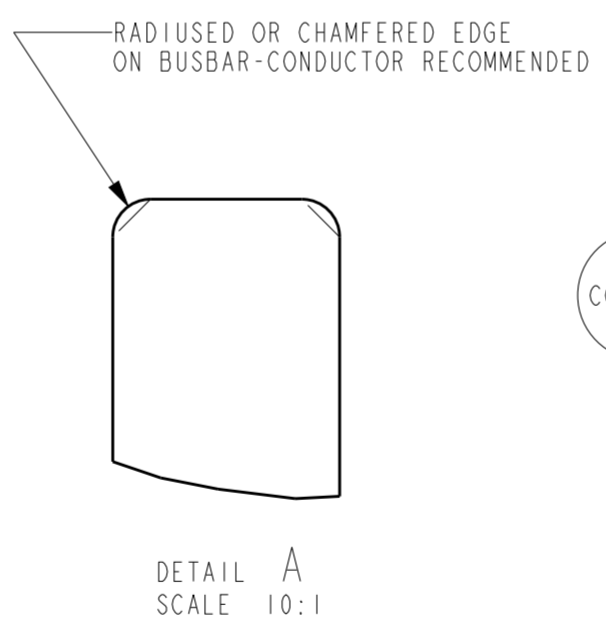
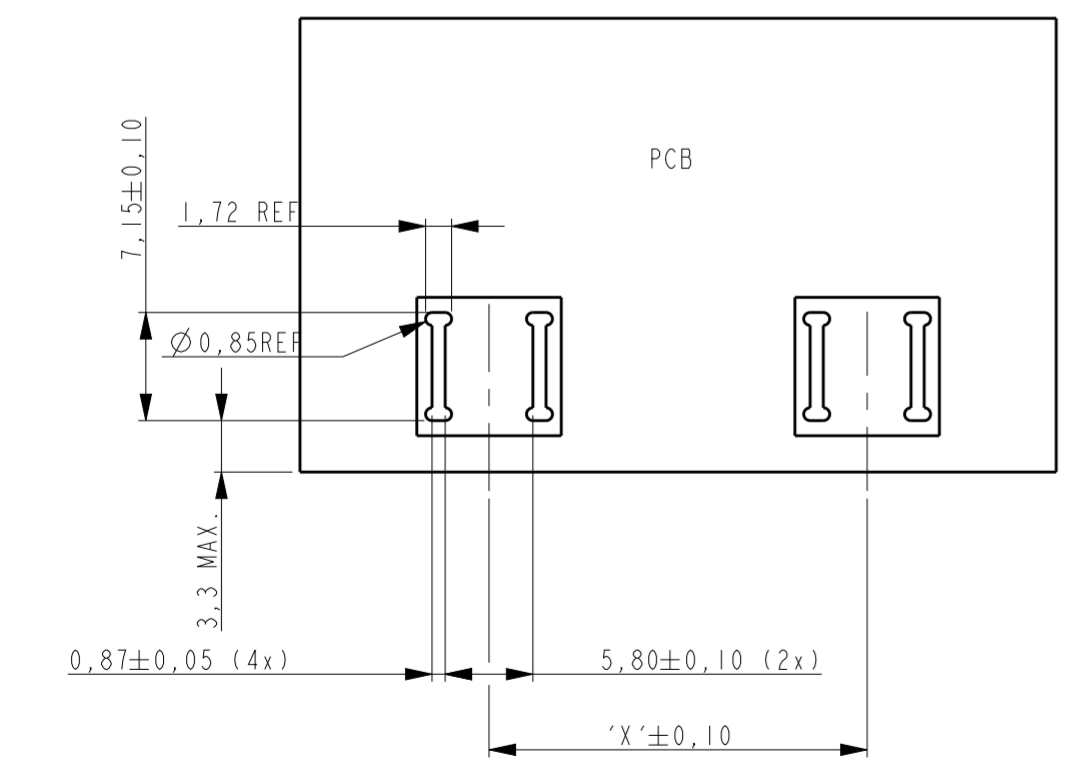
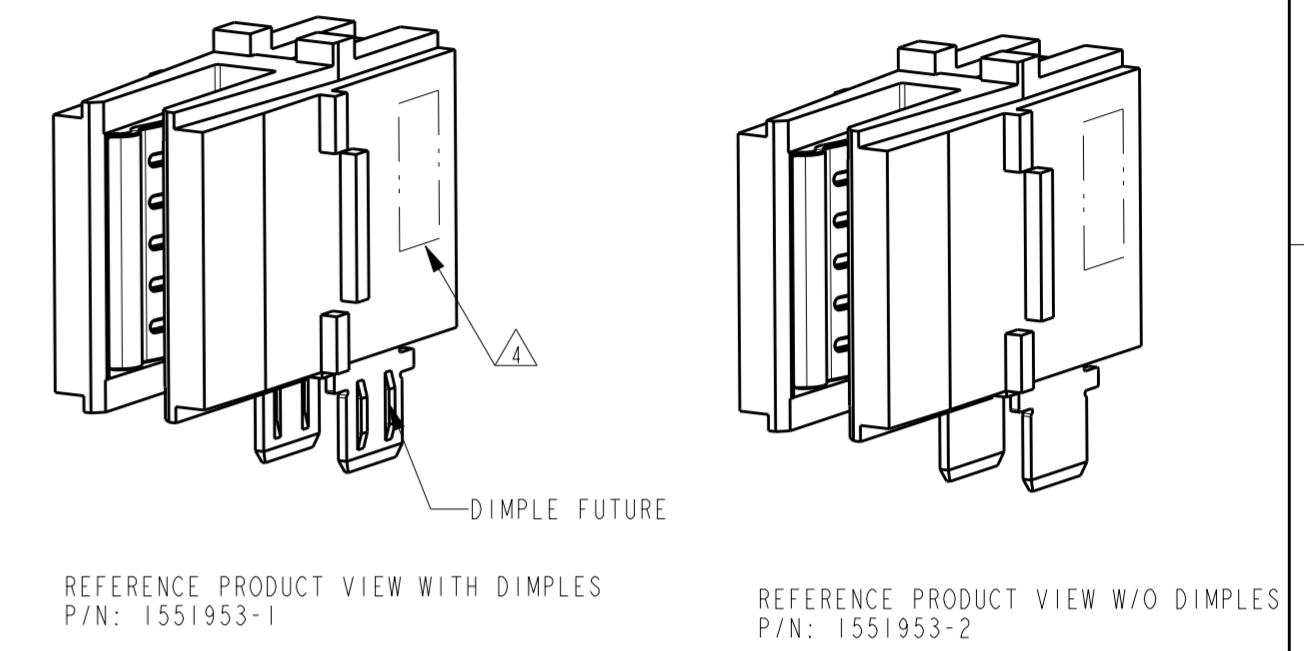
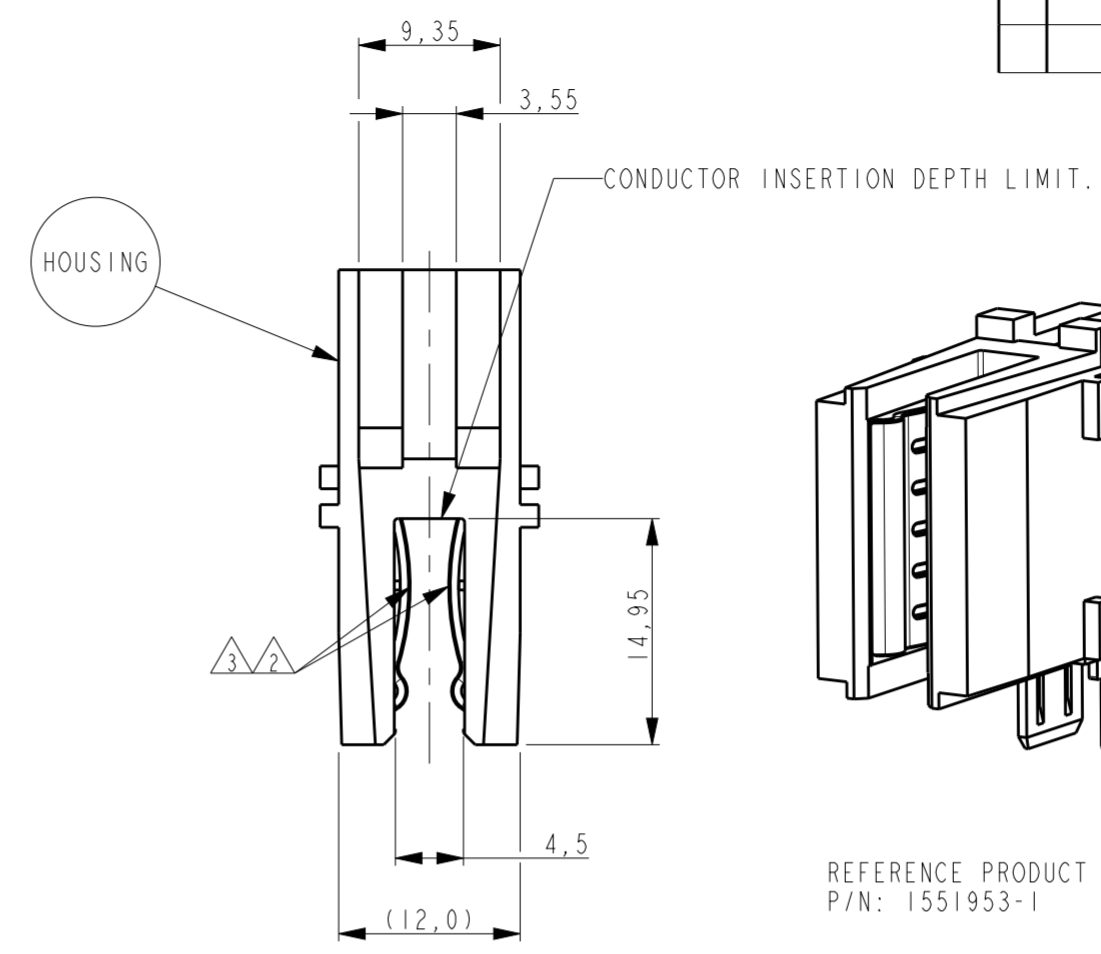
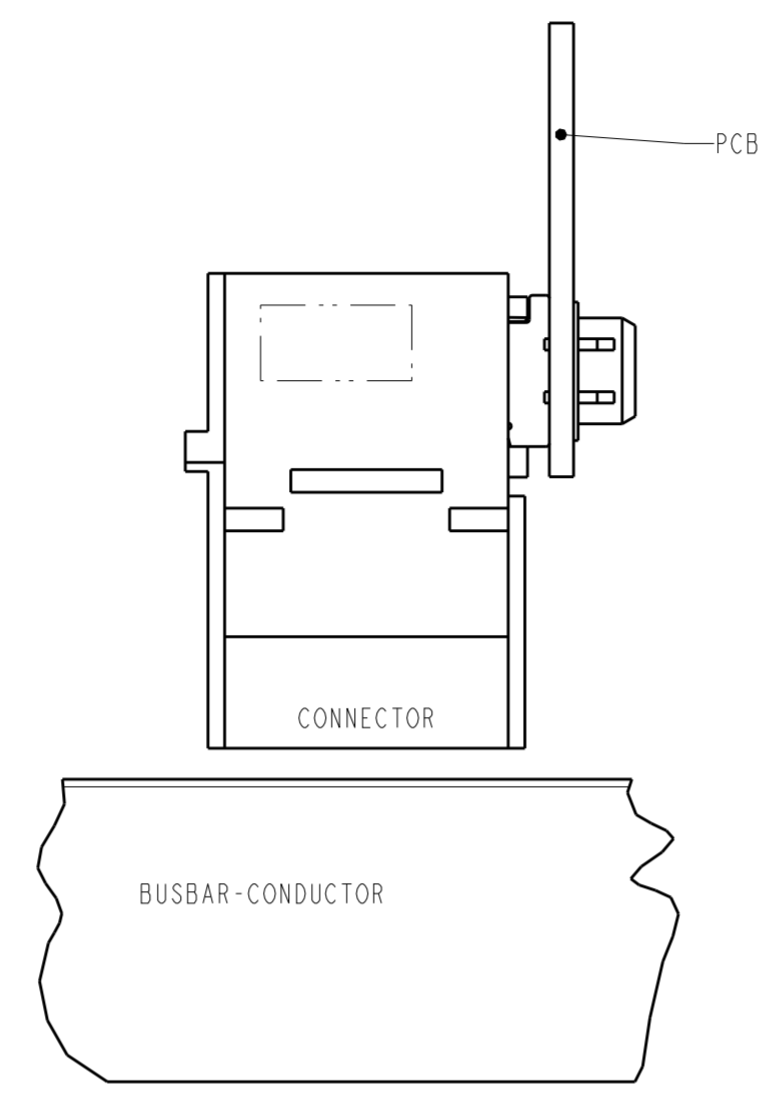
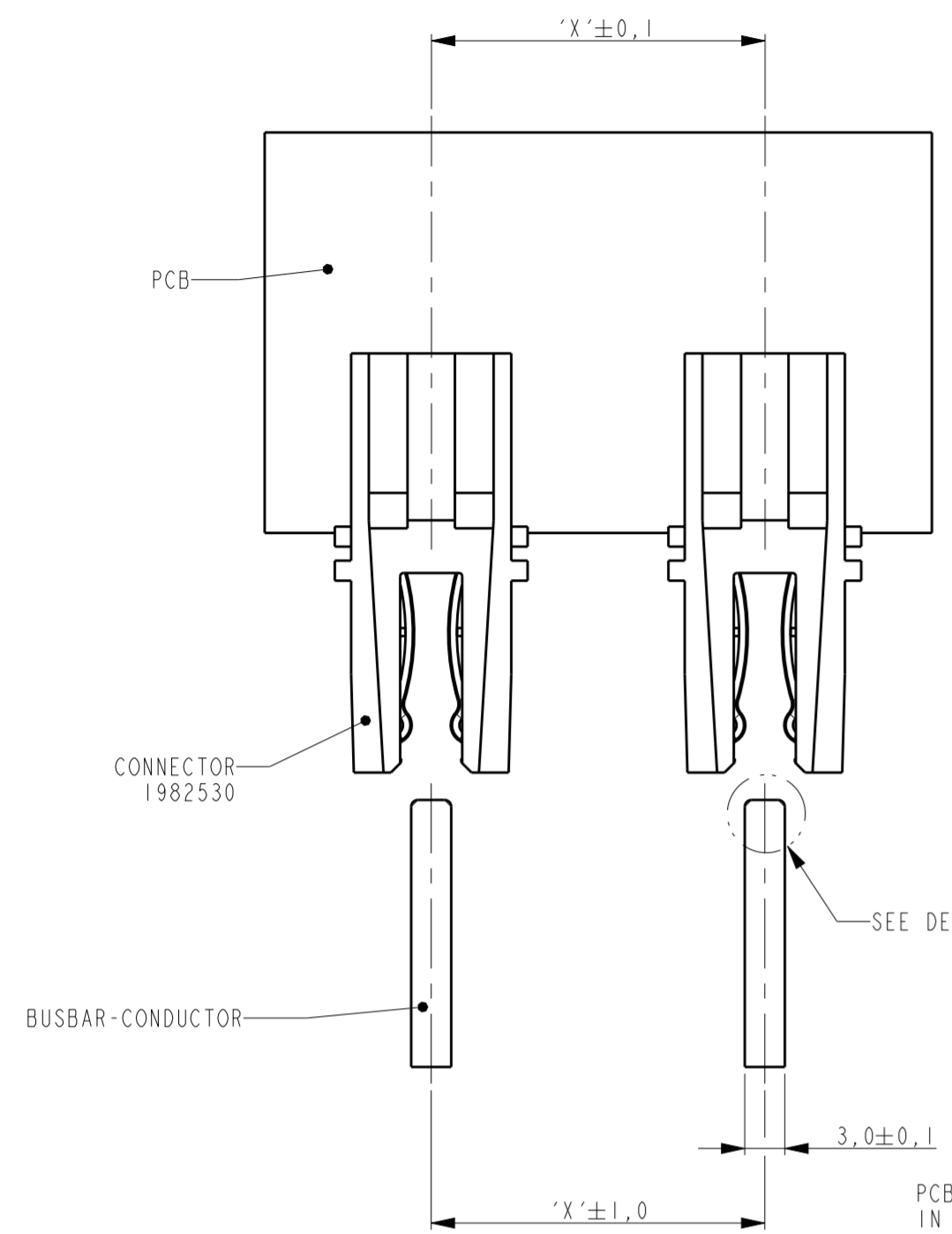


THIS DRAWING IS UNPUBLISHED. RELEASED FOR PUBLICATION
 © COPYRIGHT - BY - ALL RIGHTS RESERVED.

REVISIONS					
P	LTR	DESCRIPTION	DATE	DWN	APVD
A5		REV PER ECR-15-005882	20APR2015	ML	SZ
A6		REV PER ECR-16-002758	24AUG2016	ML	SZ



- NOTES:
- 1 PCB MUST BE SUPPORTED WHILE INSERTING THE CONNECTOR IN THE SLOTS TO AVOID BENDING OF THE BOARD.
 - △ PLATING: 1,2µm MIN. NICKEL UNDERLAYER ALLOVER.
 - △ 3,0µm MIN. TIN IN INDICATED AREA'S.
 - △ AREA FOR PART NUMBER AND DATE CODE.
 - △ MATERIAL:
POWER CONTACT: HIGH CONDUCTIVITY COPPER ALLOY.
HOUSING: THERMOPLASTIC, BLACK, UL94 V-0.

5,68	NO	CROWN CLIP JUNIOR BUS BAR	1551953-2	2
5,68	YES	CROWN CLIP JUNIOR BUS BAR	1551953-1	1
TAIL LENGTH	DIMPLE FEATURE	DESCRIPTION	PART NUMBER	ITEM

THIS DRAWING IS A CONTROLLED DOCUMENT.		DWN RAVINDRA K	07DEC10	TE Connectivity PLUGGABLE BUS BAR CONNECTOR SOLDER VERSION CROWN CLIP JUNIOR		
DIMENSIONS: mm		CHK R. DAAMEN	10DEC10			NAME
TOLERANCES UNLESS OTHERWISE SPECIFIED:		APVD T. D. BOER	10DEC10			PRODUCT SPEC
0 PLC ± 1 PLC ±0,30 2 PLC ±0,15 3 PLC ±0,05 4 PLC ± ANGLES ±2° FINISH -		APPLICATION SPEC	108-19360			SIZE
MATERIAL		WEIGHT	114-19128	CAGE CODE	RESTRICTED TO	
		Customer Drawing		A2 00779	SCALE 2:1 SHEET 1 OF 1 REV A6	

X-ON Electronics

Largest Supplier of Electrical and Electronic Components

Click to view similar products for [Heavy Duty Power Connectors](#) category:

Click to view products by [TE Connectivity](#) manufacturer:

Other Similar products are found below :

[647757-1](#) [6643411-1](#) [6646058-2](#) [6646137-1](#) [6646138-1](#) [6646479-1](#) [6646608-1](#) [6646786-1](#) [6646940-1](#) [6651091-1](#) [6651525-1](#) [6651529-1](#)
[6651788-1](#) [696475-1](#) [702-32-01109](#) [703-25-02205](#) [73000005059](#) [73000005642](#) [73080255059](#) [73080965046](#) [765-15-0080A](#) [765-16-0080B](#)
[765-18-0080D](#) [829992-1](#) [902-77-02113](#) [PS00/A0620/6300](#) [PS25/A0420/63](#) [129-1J](#) [1409400](#) [AN0024023](#) [E6374G1](#) [e6389g2](#) [157-43GW8](#)
[MS3117-14AC](#) [1643543-1](#) [1650540-1](#) [1651811-2](#) [1766260-1](#) [1766282-1](#) [1766966-1](#) [1791340000](#) [NLDFT-3-BL-L-S120-M40A](#) [NLDFT-N-](#)
[W-L-C240-M40B](#) [NLS-2-R-C240-M40B](#) [NLS-N-W-C240-M40B](#) [NPS-3-BL-T6](#) [1986615-1](#) [2-1589900-8](#) [2199314-1](#) [KA8102](#)