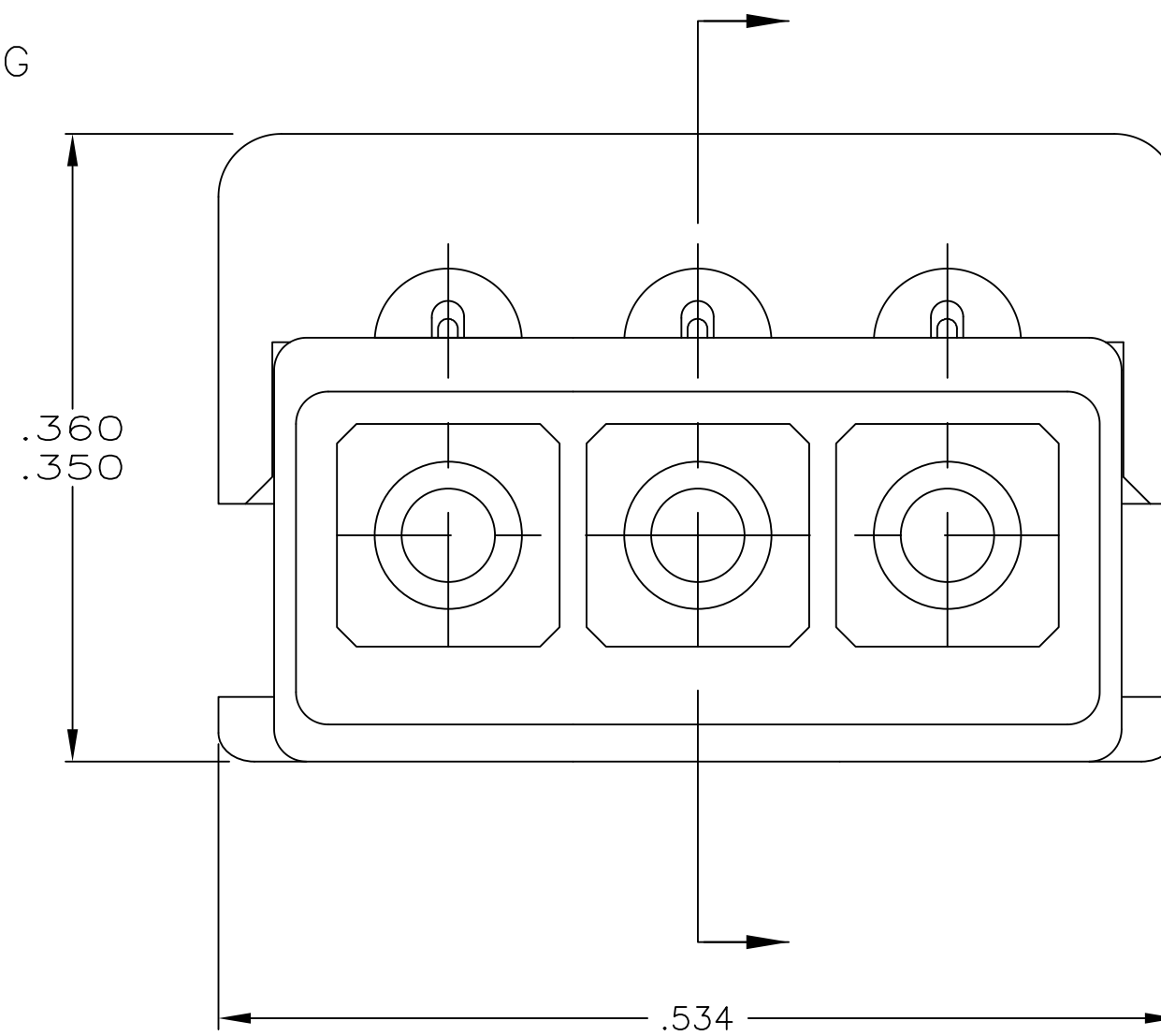
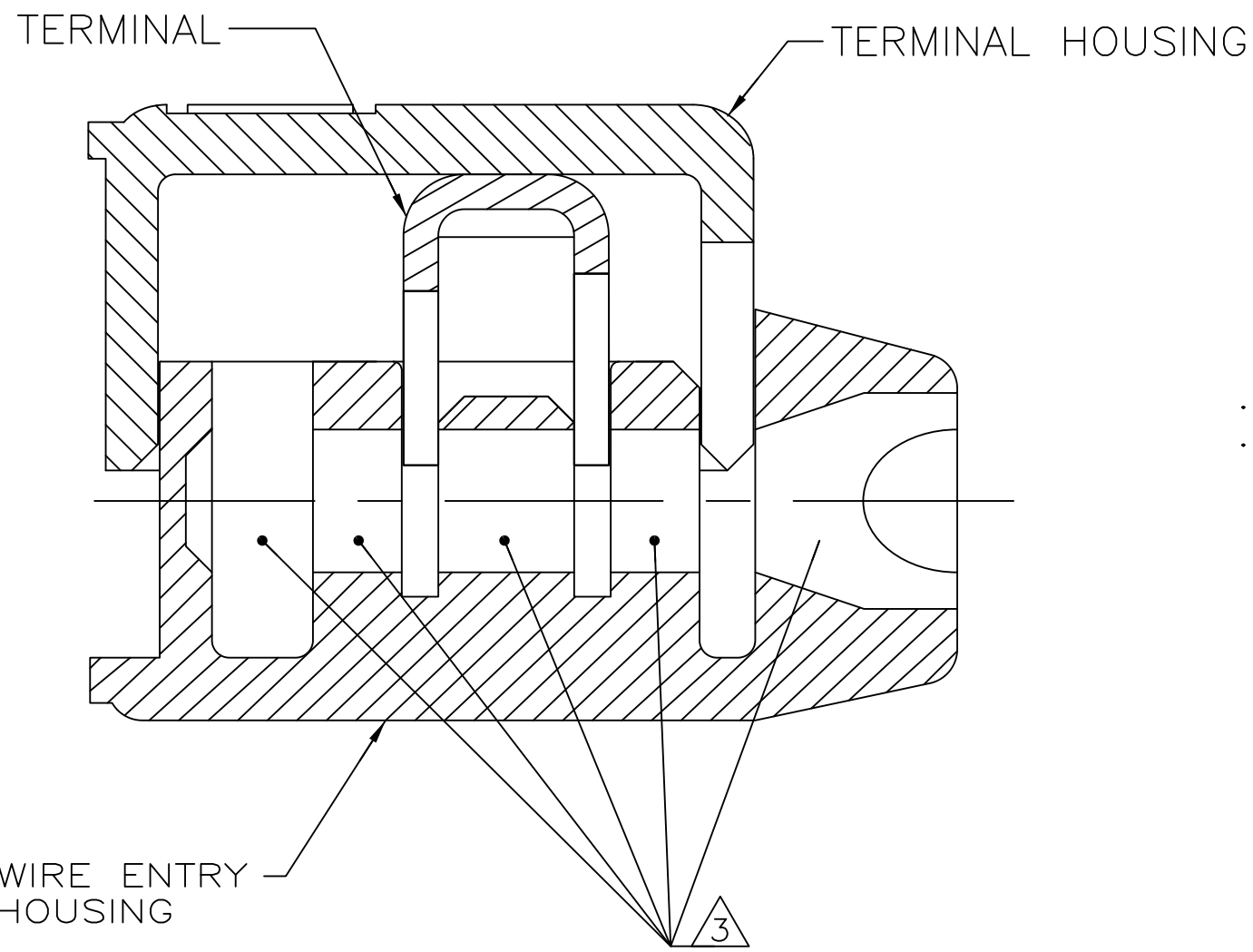


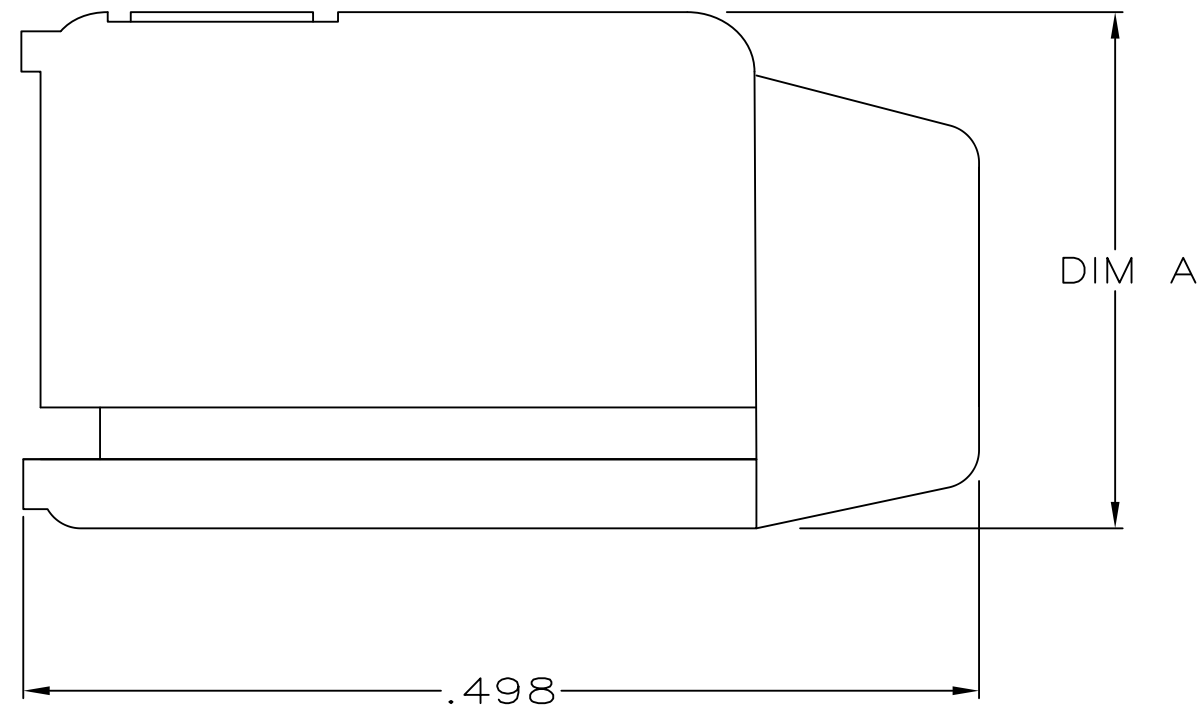
THIS DRAWING IS UNPUBLISHED. RELEASED FOR PUBLICATION
 © 2016 Commscope, INC. Confidential NOTICE: These drawings and specifications are the proprietary property of COMMSCOPE, INC. and may be used only for the specific purpose authorized in writing by COMMSCOPE, INC.

LOC		DIST		REVISIONS			
P	LTR	DESCRIPTION	DATE	DWN	APVD		
Z		REV PER 40025366MCO	13OCT2015	GG	JD		
AA		ECN 8000019699 REBRANDING	30JAN2017	JUM	ARL		

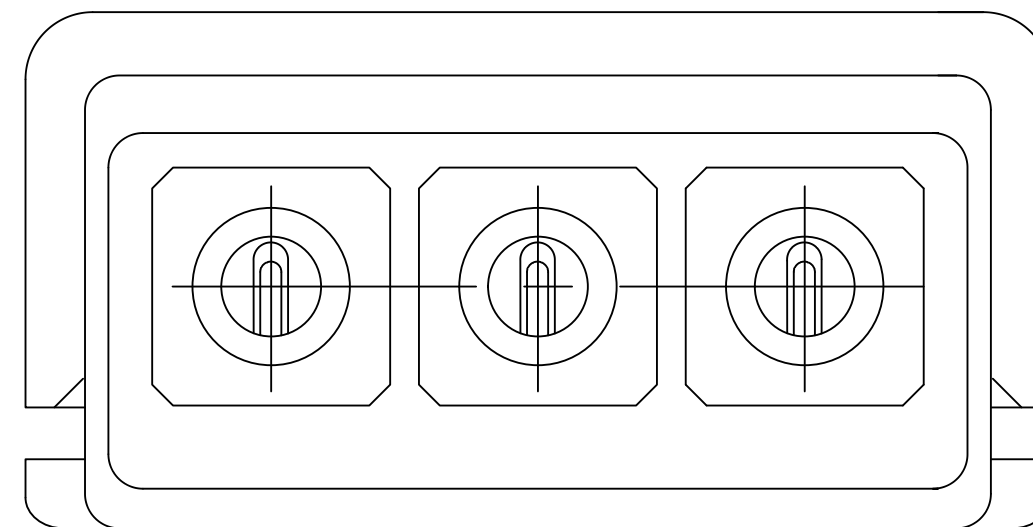


UNCRIMPED

1. WIRE RANGE: 19-26 AWG SOLID COPPER CONDUCTORS.
- 2 MATERIAL: HOUSING - THERMOPLASTIC (CLEAR)
TERMINAL - TIN PLATED PHOSPHOR BRONZE
- 3 SEALANT ADDED TO HOUSING IN THREE AREAS.
4. ALL DIMENSIONS ARE FOR REFERENCE ONLY.
5. FOR CRIMPING INFORMATION SEE APPLICATION SPECIFICATION 114-6010.
- 6 TEL-SPLICE ASSEMBLIES WITHOUT SEALANT (UNFILLED) SHALL BE YELLOW.



CRIMPED



OBSOLETE	100	WITH SEALANT	1-552678-7
SUPSD BY 1-552678-2	100	WITH SEALANT	1-552678-6
OBSOLETE	BULK	6 WITHOUT SEALANT	1-552678-5
	100	6 WITHOUT SEALANT	1-552678-4
	100	WITH SEALANT	1-552678-2
OBSOLETE	BULK	WITH SEALANT	552678-5
	500	6 WITHOUT SEALANT	552678-4
SUPSD BY 552678-2	500	6 WITHOUT SEALANT	552678-3
	500	WITH SEALANT	552678-2
	PARTS PER CONTAINER	DESCRIPTION	PART NUMBER

.262	24-26
.276	19-22
DIM "A" MAX	WIRE-AWG

THIS DRAWING IS A CONTROLLED DOCUMENT.

DIMENSIONS: mm	TOLERANCES UNLESS OTHERWISE SPECIFIED:	DWN L. HALL 20FEB04	COMMSCOPE, INC.			
	0 PLC ± -	CHK A. KINKA 24FEB04			NAME	
	1 PLC ± -	APVD A. KINKA 24FEB04				TEL-SPLICE ASSEMBLY, 3 WIRE (INTERNATIONAL)
	2 PLC ± -	PRODUCT SPEC				
3 PLC ± -	APPLICATION SPEC					
4 PLC ± -	ANGLES ± -	WEIGHT -	SIZE A2	CAGE CODE -	DRAWING NO C=552678	RESTRICTED TO -
MATERIAL	FINISH -	CUSTOMER DRAWING	SCALE 10:1	SHEET 1 of 1	REV AA	

552678

A

X-ON Electronics

Largest Supplier of Electrical and Electronic Components

Click to view similar products for [Terminals](#) category:

Click to view products by [TE Connectivity](#) manufacturer:

Other Similar products are found below :

[00-054007-01074-6](#) [00-054007-70206-1](#) [00-054007-70210-8](#) [00-054007-70217-7](#) [00-054007-70226-9](#) [00-054007-70228-3](#) [00-054007-70248-1](#) [00-054007-70256-6](#) [00-054007-70301-3](#) [00-054007-70316-7](#) [0-0320562-0](#) [00-054007-49560-4](#) [00-054007-70209-2](#) [00-054007-70225-2](#) [00-054007-70227-6](#) [00-054007-70231-3](#) [00-054007-70241-2](#) [00-054007-70242-9](#) [00-054007-70244-3](#) [00-054007-70246-7](#) [00-054007-70263-4](#) [00-054007-70288-7](#) [00-054007-70290-0](#) [00-054007-70300-6](#) [00-054007-70304-4](#) [01-2065-1-0216](#) [01-2900-1-04412](#) [00581P0075](#) [600TS-10](#) [60205-1](#) [604200-1](#) [605601-1](#) [60598-1-CUT-TAPE](#) [61314-6-C](#) [61810-3](#) [61-S](#) [61-SN](#) [626-0194](#) [62-NBM-A](#) [62-SN](#) [62-SP](#) [63-S](#) [640179-1](#) [M55155/059I03](#) [M55155/079C01](#) [M55155/099H02](#) [M55155/109H01](#) [M55155/109H02](#) [M55155/12XH05](#) [M55155/16XH02](#)