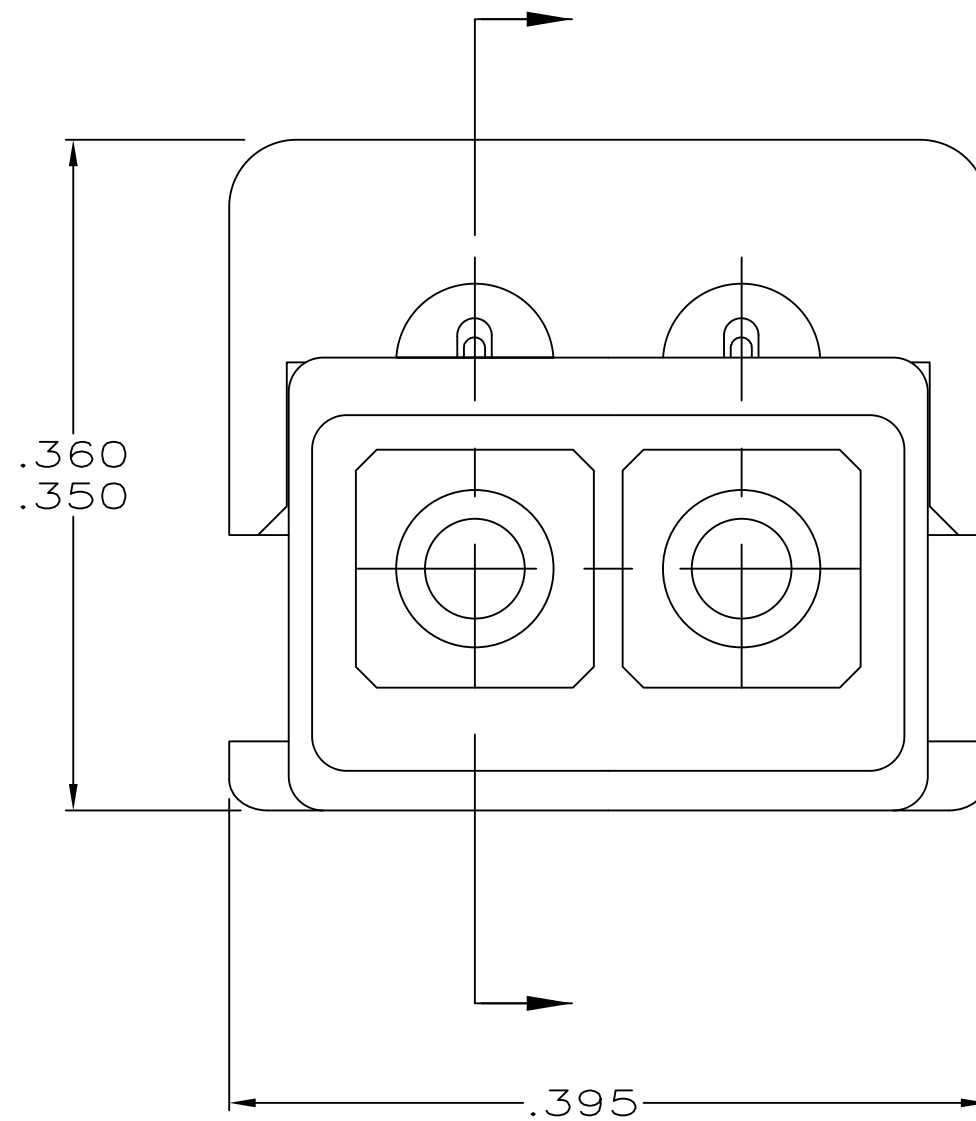
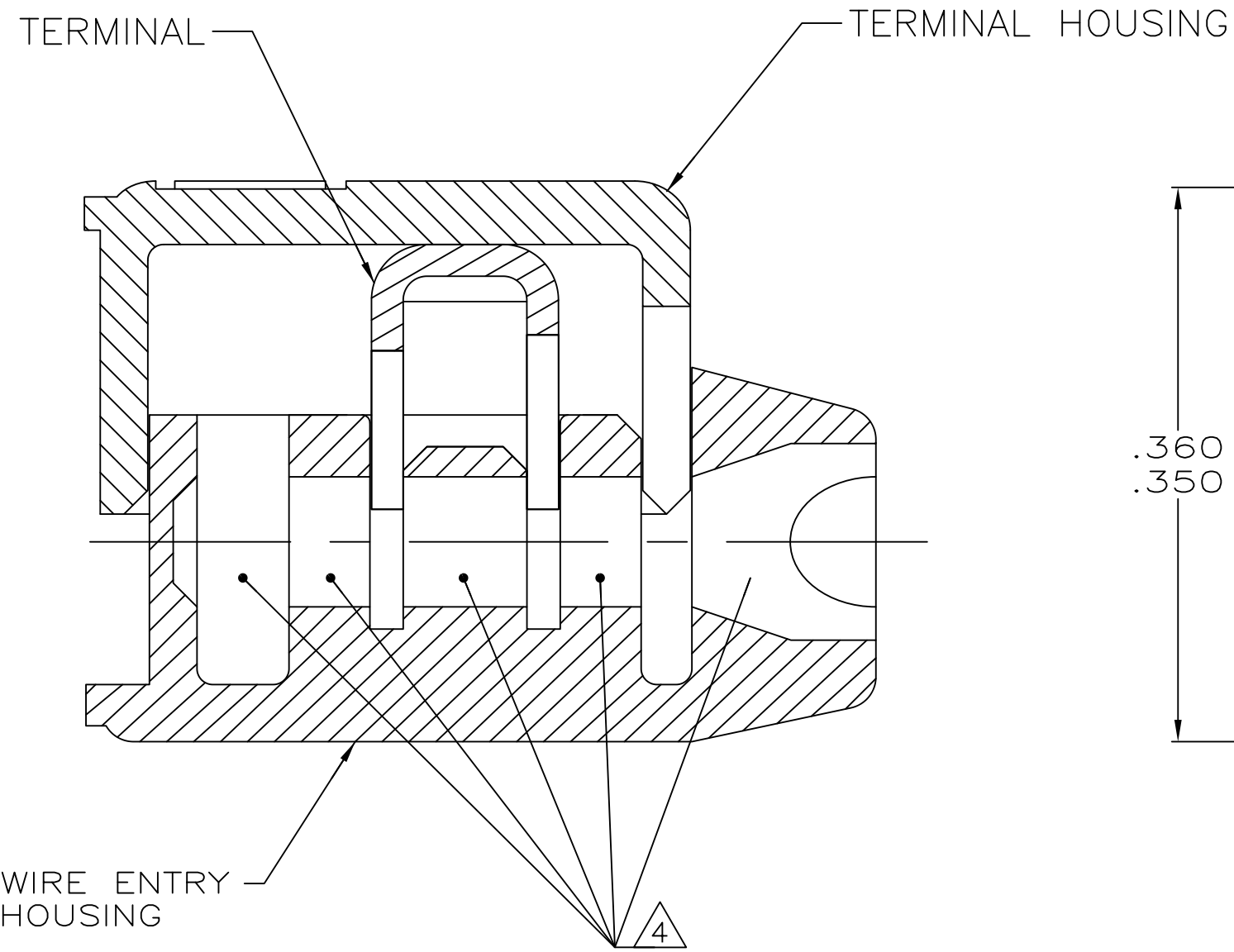
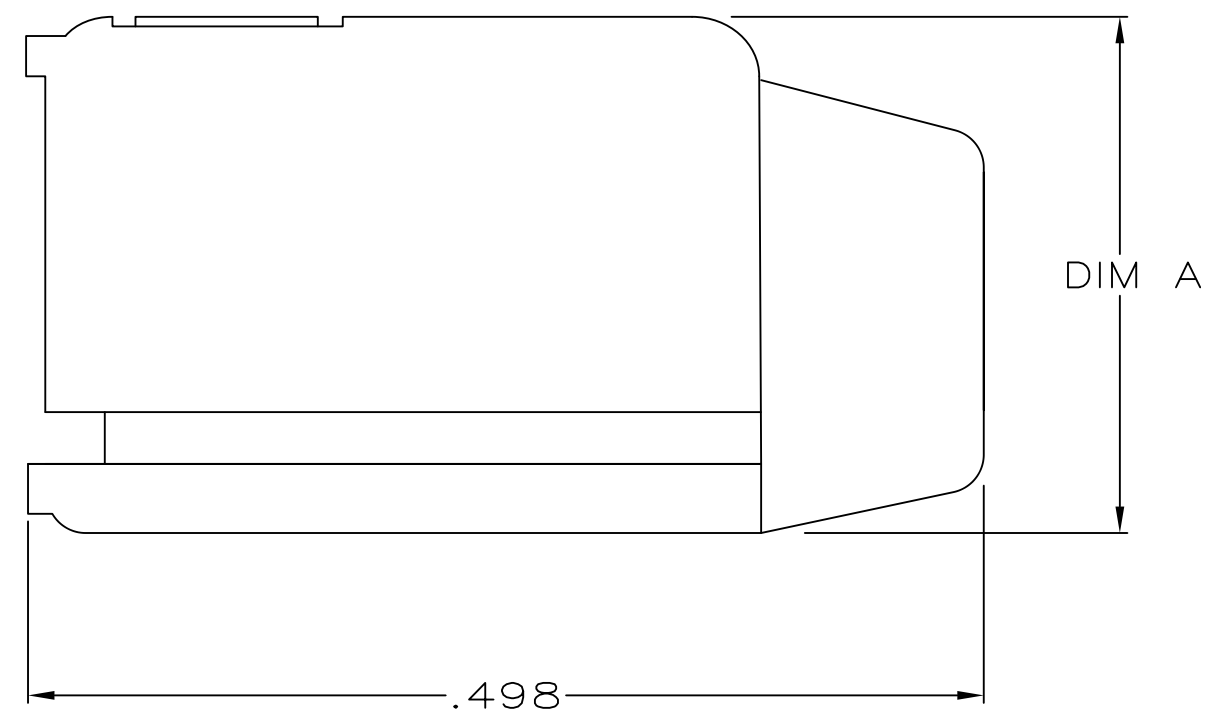


THIS DRAWING IS UNPUBLISHED. RELEASED FOR PUBLICATION  
 © 2016 Commscope, INC. Confidential NOTICE: These drawings and specifications are the proprietary property of COMMSCOPE, INC. and may be used only for the specific purpose authorized in writing by COMMSCOPE, INC.

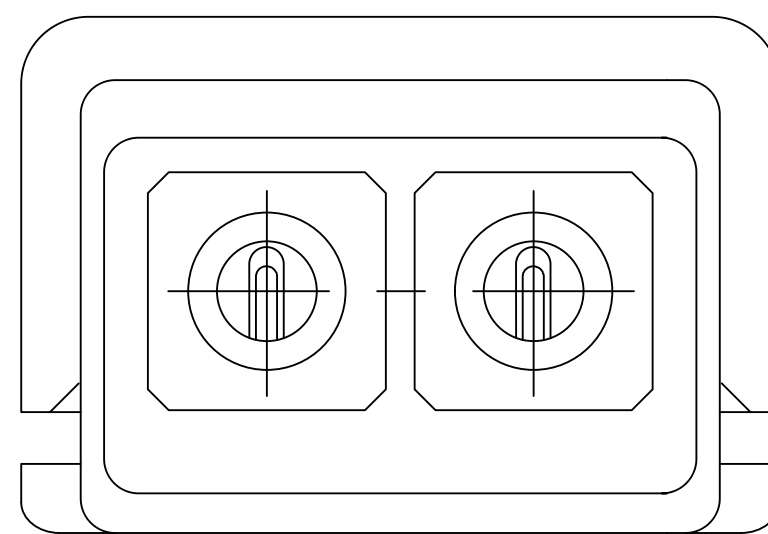
LOC		DIST		REVISIONS			
P	LTR	DESCRIPTION	DATE	DWN	APVD		
	U	REV PER 20025366MCO	13OCT2015	GG	JD		
	V	ECN8000019699 REBRANDING	30JAN2017	JUM	ARL		



UNCRIMPED



CRIMPED



- ALL DIMENSIONS ARE FOR REFERENCE ONLY.
- MATERIAL: HOUSING - THERMOPLASTIC (CLEAR)  
TERMINAL - TIN PLATED PHOSPHOR BRONZE
- WIRE RANGE: 19-26 AWG SOLID COPPER CONDUCTORS.
- SEALANT ADDED TO HOUSING IN THREE AREAS.
- FOR CRIMPING INFORMATION SEE APPLICATION SPECIFICATION 114-6010.
- MATERIAL: HOUSING - THERMOPLASTIC (YELLOW)  
TERMINAL - PHOS BRZ
- MATERIAL: HOUSING - THERMOPLASTIC (CLEAR)  
TERMINAL - PHOS BRZ
- MATERIAL: HOUSING - THERMOPLASTIC (YELLOW)  
TERMINAL - TIN PLATED BRASS

	1000	6	WITH SEALANT	1-552795-8
	5	2	WITH SEALANT	1-552795-7
OBSOLETE	BULK	6	WITHOUT SEALANT	1-552795-5
	100	6	WITHOUT SEALANT	1-552795-4
	100	7	WITH SEALANT	1-552795-2
OBSOLETE	500	7	WITH SEALANT	552795-6
OBSOLETE	BULK	7	WITH SEALANT	552795-5
	1000	6	WITHOUT SEALANT	552795-4
SUPSD BY 552795-4	1000	8	WITHOUT SEALANT	552795-3
	1000	7	WITH SEALANT	552795-2
	1000	2	WITH SEALANT	552795-1
	PARTS PER CONTAINER		DESCRIPTION	PART NUMBER

THIS DRAWING IS A CONTROLLED DOCUMENT.

DIMENSIONS: INCHES	TOLERANCES UNLESS OTHERWISE SPECIFIED:	DWN L. HALL 20FEB04	<b>COMMSCOPE, INC.</b>			
	0 PLC ± -	CHK A. KINKA 24FEB04			NAME TEL-SPLICE ASSEMBLY, 2 WIRE (INTERNATIONAL)	
	1 PLC ± -	APVD A. KINKA 24FEB04				
	2 PLC ± -	PRODUCT SPEC				
	3 PLC ± -	APPLICATION SPEC				
MATERIAL	FINISH	WEIGHT -	SIZE A2	CAGE CODE -	DRAWING NO C=552795	RESTRICTED TO -
		CUSTOMER DRAWING	SCALE 10:1	SHEET 1 of 1	REV V	

.262	24-26
.276	19-22
DIM "A" MAX	WIRE-AWG

552795

A

## X-ON Electronics

Largest Supplier of Electrical and Electronic Components

*Click to view similar products for [Modular Connectors / Ethernet Connectors](#) category:*

*Click to view products by [TE Connectivity](#) manufacturer:*

Other Similar products are found below :

[8949-H88/06BLKA/SN](#) [74441-0010/BKN](#) [MP1010RX-1000](#) [MP44RX-1000](#) [PHJ-4P4C-1-V-4](#) [PHP-6P6C-5](#) [GAX-3-66](#) [GAX-8-62](#) [GDCX-PA-66-50](#) [GDCX-PN-64](#) [GDCX-PN-66](#) [GDCX-PN-66-50](#) [GDLX-A-66](#) [GDLX-N-66](#) [GDLX-S-66](#) [GDLX-S-88K](#) [GDLX-SMT-S-88](#) [GDTX-S-88-50](#) [GDX-PA-1010](#) [GLX-N-1010M-BLK](#) [GLX-S-88M-BLK](#) [GMX-N-1010](#) [GMX-S-1010](#) [GMX-S-66](#) [GMX-SMT4-N-88](#) [GPX-2-64](#) [GSGX-N-2-88](#) [GSGX-N-4-88](#) [GSX-NS2-88-3.05](#) [GSX-NS2-88-3.05-50](#) [GSX-NS-88-3.05-50](#) [PT-108A-8C-UL](#) [PT-J951-8C](#) [PTS-J531-8CS-50UL](#) [1-1775629-2](#) [A-2014-0-4](#) [GWLX-S-88-GR](#) [GWLX-S9-88-YG](#) [DC-1021-8-WH-6](#) [1300530003](#) [1324640-4](#) [RJ11FTVC2G](#) [RJ11FTVC2N](#) [RJFTVX2SA1G](#) [132764-001](#) [1413235](#) [MP88X-1000](#) [MPS88RX-5000](#) [E5288-S000K3-L](#) [E5908-15A242-L](#)