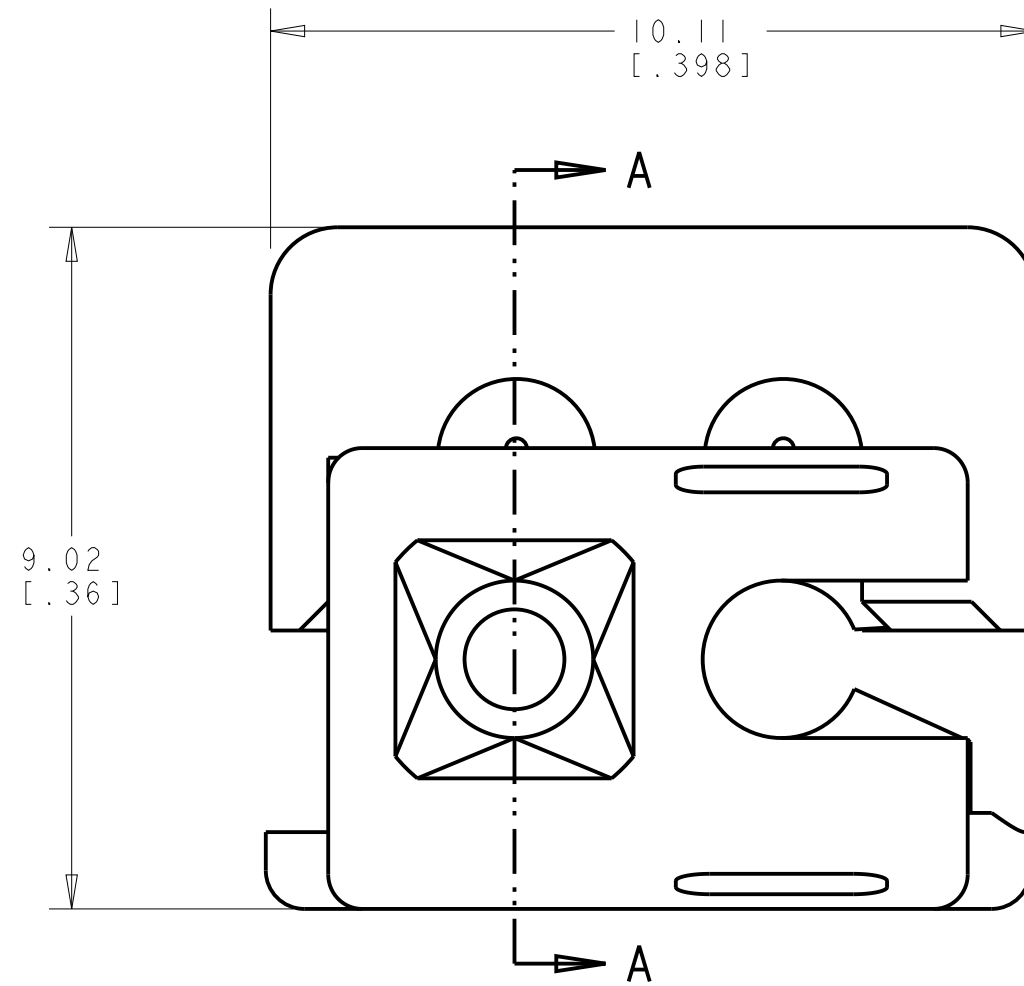
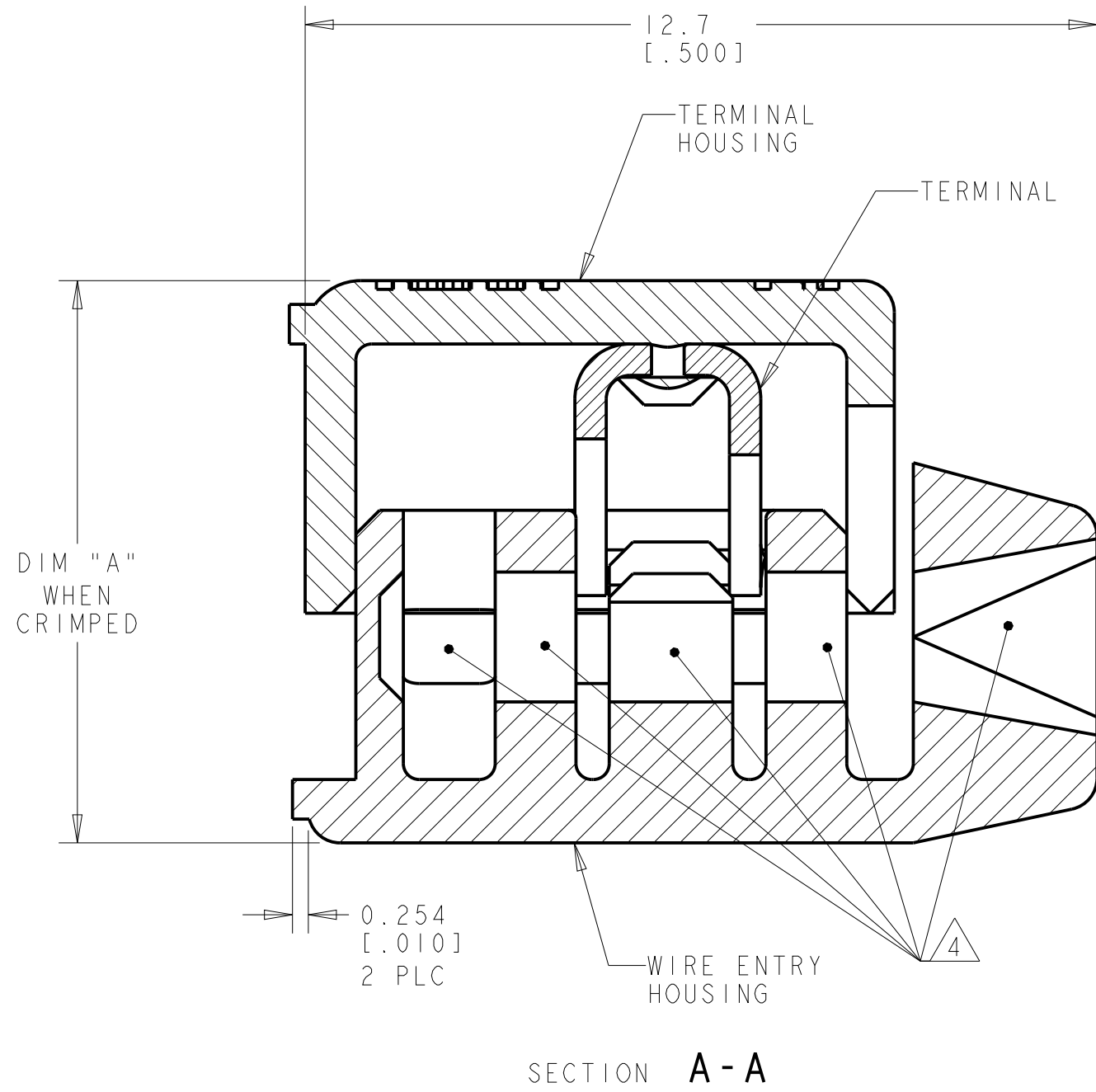


THIS DRAWING IS UNPUBLISHED. RELEASED FOR PUBLICATION 20
 © 2016 COMMSCOPE INC. CONFIDENTIAL NOTICE: THESE DRAWINGS AND SPECIFICATIONS ARE THE PROPRIETARY PROPERTY OF COMMSCOPE, INC. AND MAY BE USED ONLY FOR THE SPECIFIC PURPOSE AUTHORIZED IN WRITING BY COMMSCOPE, INC.

REVISIONS				
P	LTR	DESCRIPTION	DATE	APVD
V		REV ECO-09-001811	29JAN2009	LH JJ
W		REV; 40025366MCO	14OCT2015	GG JD
Y		ECN 80000019699 REBRANDING	2FEB2017	JUM ARL



- ALL DIMENSIONS ARE MAXIMUM UNLESS OTHERWISE SPECIFIED.
- MATERIAL: HOUSING - POLYPROPYLENE BLUE.
TERMINALS - TIN PLATED PHOSPHOR BRONZE.
- WIRE RANGE: 19-26 AWG SOLID COPPER CONDUCTORS.
- SEALANT ADDED TO ASSEMBLY IN THESE AREAS.
- TEL-SPLICE ASSEMBLIES WITHOUT SEALANT (UNFILLED) SHALL BE YELLOW.
- SEE RESTRICTED CUSTOMER DRAWING.

STATUS	PACKAGE	DESCRIPTION	PART NUMBER
OBSOLETE	100/BOX	FILLED	1-553017-7
OBSOLETE	BULK	FILLED	1-553017-6
OBSOLETE	BULK	UNFILLED ⁵	1-553017-5
	100/BOX	UNFILLED ⁵	1-553017-4
	100/BOX	FILLED	1-553017-2
SUPERSEDED BY 1-553017-2			
	100/BOX	⁶	1-553017-1
	1000/TUB	UNFILLED ⁵	553017-4
OBSOLETE	1000/TUB	⁶	553017-3
	1000/TUB	FILLED	553017-2
SUPERSEDED BY 553017-2			
	1000/TUB	⁶	553017-1
	PACKAGED	DESCRIPTION	PART NUMBER

6.66 [.262]	24-26
7.01 [.276]	19-22
DIM "A"	WIRE AWG

THIS DRAWING IS A CONTROLLED DOCUMENT.

DWN S. WEIKERT 21FEB01	COMMSCOPE, INC. NAME TEL-SPLICE ASSEMBLY HALF TAP, 2 WIRE SIZE A2 CAGE CODE - DRAWING NO C-553017 RESTRICTED TO - SCALE 10:1 SHEET OF REV Y
CHK A. NESTOR 21FEB01	
APVD A. NESTOR 21FEB01	
PRODUCT SPEC - APPLICATION SPEC 114-6010 WEIGHT -	
MATERIAL - ²	CUSTOMER DRAWING

X-ON Electronics

Largest Supplier of Electrical and Electronic Components

Click to view similar products for [Modular Connectors / Ethernet Connectors](#) category:

Click to view products by [TE Connectivity](#) manufacturer:

Other Similar products are found below :

[8949-H88/06BLKA/SN](#) [74441-0010/BKN](#) [MP1010RX-1000](#) [MP44RX-1000](#) [PHJ-4P4C-1-V-4](#) [PHP-6P6C-5](#) [GAX-3-66](#) [GAX-8-62](#) [GDCX-PA-66-50](#) [GDCX-PN-64](#) [GDCX-PN-66](#) [GDCX-PN-66-50](#) [GDLX-A-66](#) [GDLX-N-66](#) [GDLX-S-66](#) [GDLX-S-88K](#) [GDLX-SMT-S-88](#) [GDTX-S-88-50](#) [GDX-PA-1010](#) [GLX-N-1010M-BLK](#) [GLX-S-88M-BLK](#) [GMX-N-1010](#) [GMX-S-1010](#) [GMX-S-66](#) [GMX-SMT4-N-88](#) [GPX-2-64](#) [GSGX-N-2-88](#) [GSGX-N-4-88](#) [GSX-NS2-88-3.05](#) [GSX-NS2-88-3.05-50](#) [GSX-NS-88-3.05-50](#) [PT-108A-8C-UL](#) [PT-J951-8C](#) [PTS-J531-8CS-50UL](#) [1-1775629-2](#) [A-2014-0-4](#) [GWLX-S-88-GR](#) [GWLX-S9-88-YG](#) [DC-1021-8-WH-6](#) [1300530003](#) [1324640-4](#) [RJ11FTVC2G](#) [RJ11FTVC2N](#) [RJFTVX2SA1G](#) [132764-001](#) [1413235](#) [MP88X-1000](#) [MPS88RX-5000](#) [E5288-S000K3-L](#) [E5908-15A242-L](#)