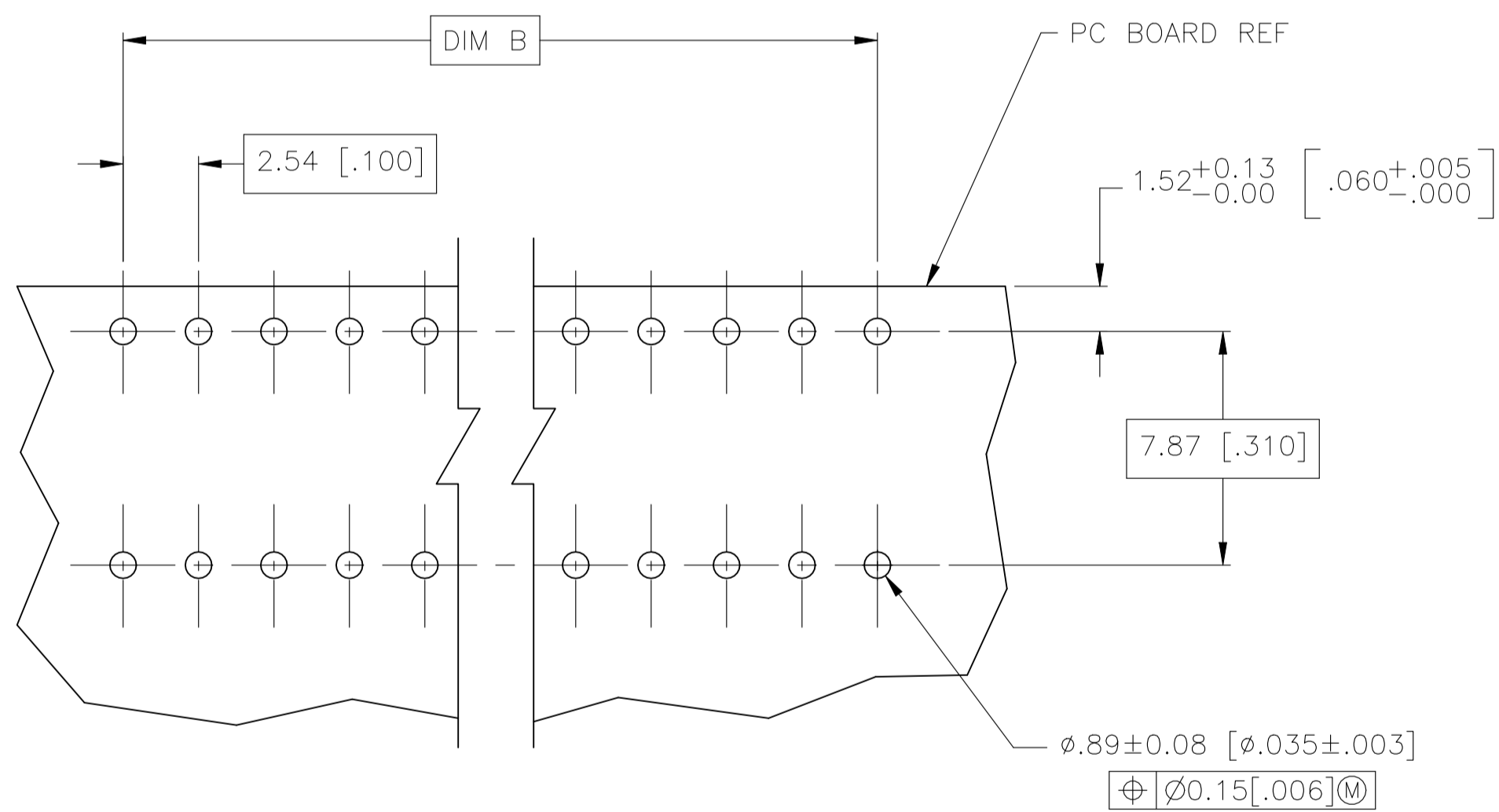
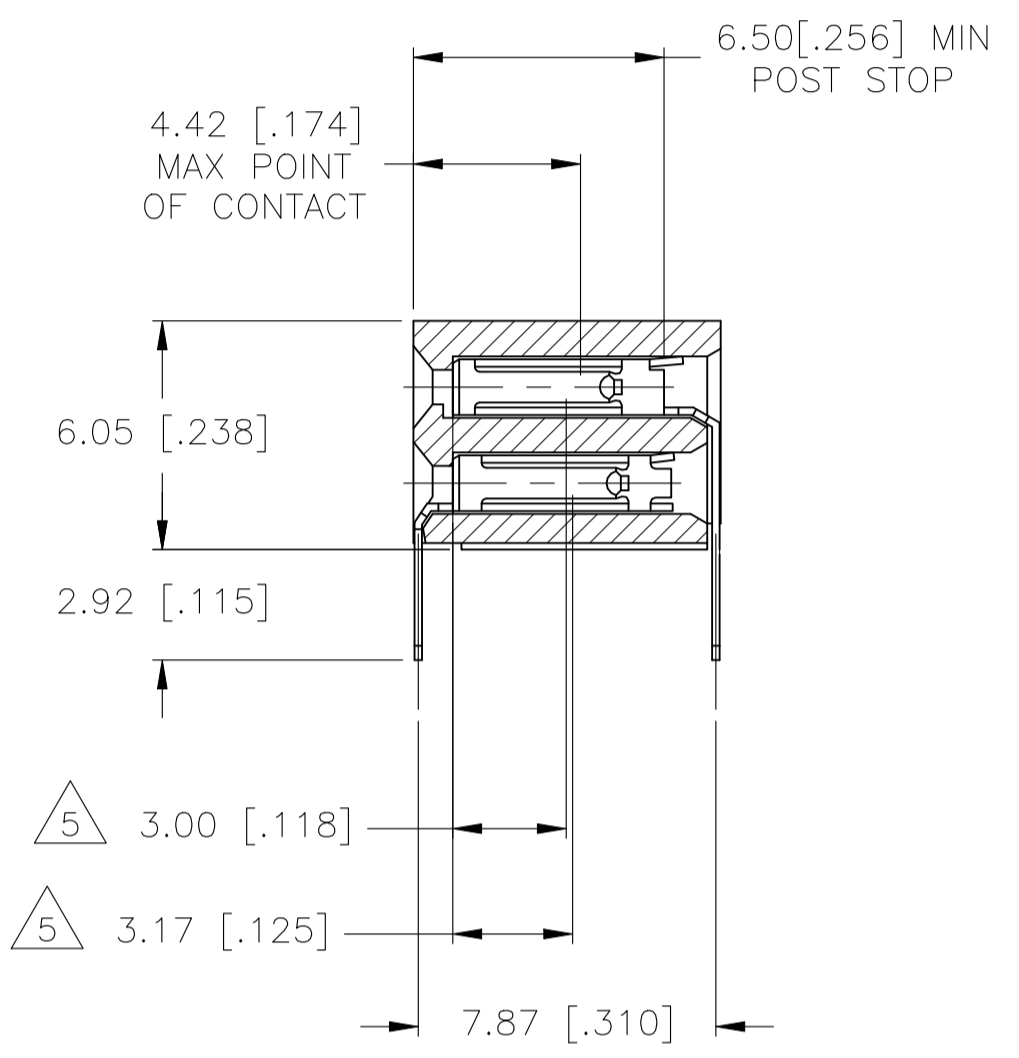
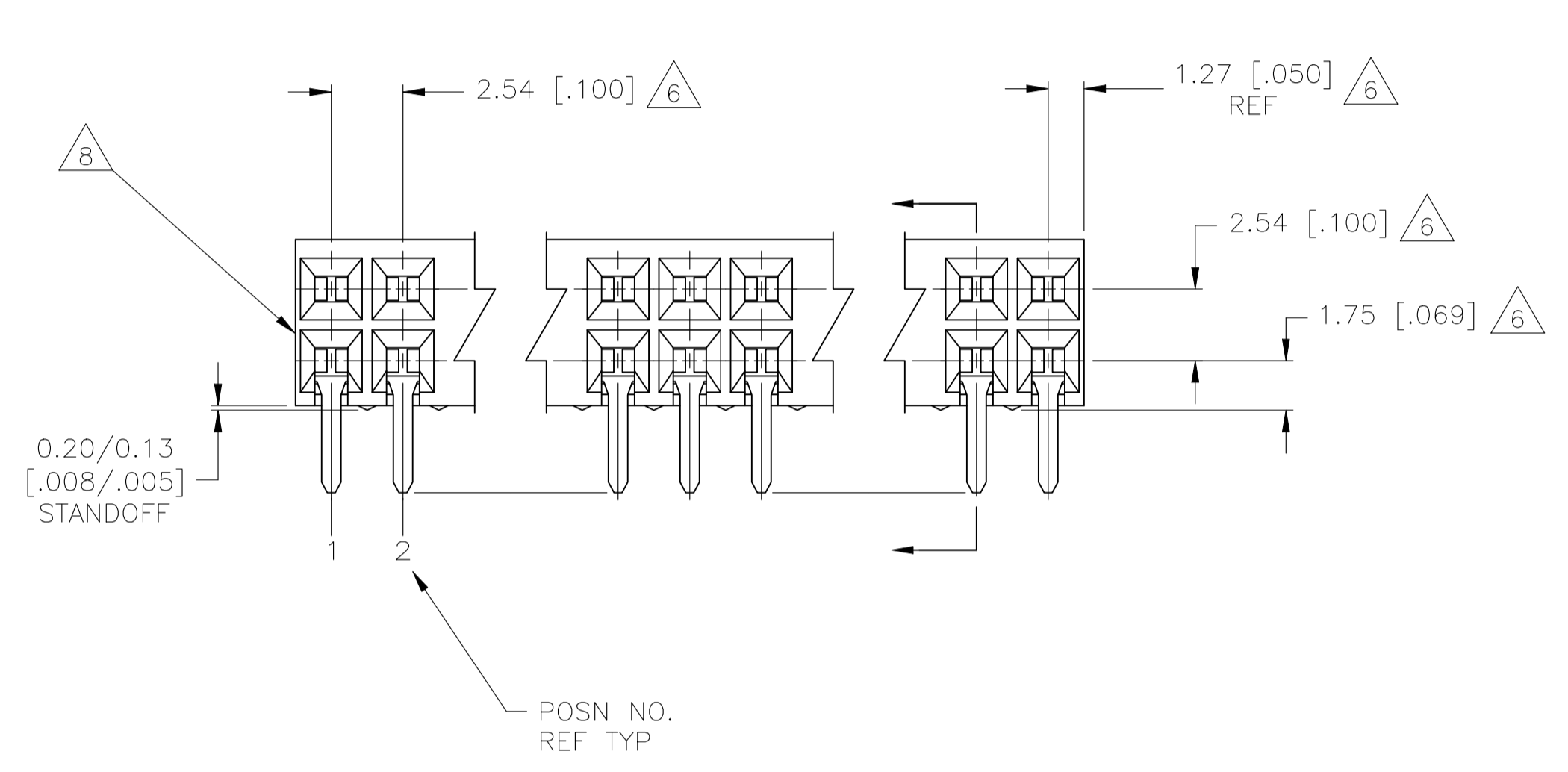
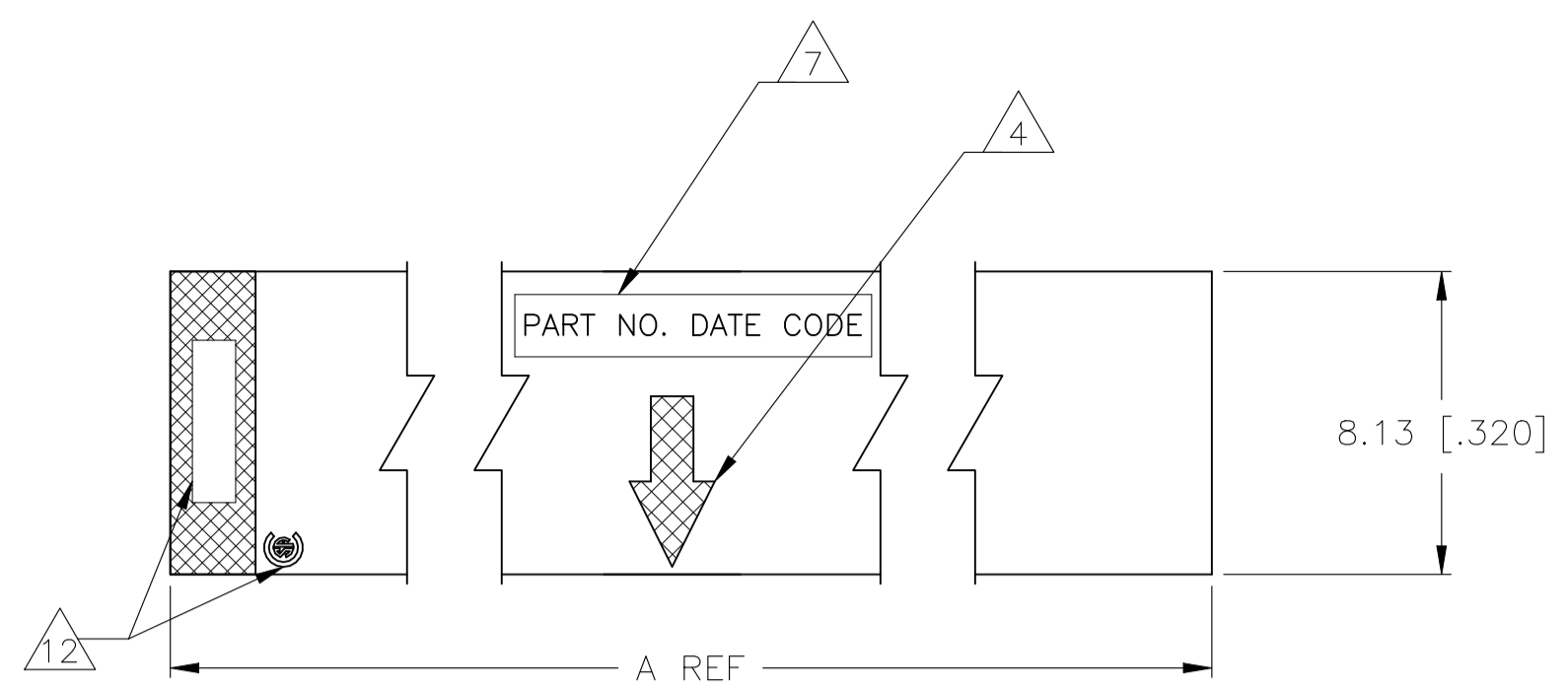


REVISIONS				
REV	DESCRIPTION	DATE	BY	APPV
B	HOUSING RESIN CHANGED	27OCT2021	SCB	KJK



RECOMMENDED PC BOARD LAYOUT

- 1 HOUSING MATERIAL: GLASS FILLED POLYESTER, COLOR- BLACK
- 2 CONTACT MATERIAL: PHOSPHOR BRONZE
- 3 CONTACT FINISH: .00076(.000030) THK DUPLEX PLATED GOLD ON CONTACT AREA 3.81-7.62μm(.000150-.000300)MATTE TIN ALL OVER 0.00127(.000050)NICKEL.
- 4 MOLDED IN ARROW DESIGNATES THE MATING FACE OF THE CONNECTOR
- 5 POINT OF MEASUREMENT FOR PLATING THICKNESS OF CONTACT AREA
- 6 DIMENSIONS PERTAIN TO HOUSING CAVITY CENTERLINES
- 7 PART NUMBER AND DATE CODE MARKED IN APPROXIMATE LOCATION SHOWN, EITHER SIDE.
- 8 ALTERNATE LOCATION FOR DATE CODE FOR 4 AND 6 POSITION.
- 9 NO PART NUMBER MARKING REQUIRED ON THIS PART.
- 10 ROHS 2002/95/EC COMPLIANT.
- 12 TE LOGO AND CSA LOGO ARE MOLDED INTO HOUSING, THIS LOCATION

REV	DESCRIPTION	DATE	BY	APPV
9	10.16[.400]	12.70[.500]	10	6-5535512-4
9	7.62[.300]	10.16[.400]	8	6-5535512-3
9	5.08[.200]	7.62[.300]	6	6-5535512-2
9	2.54[.100]	5.08[.200]	4	6-5535512-1
	162.56[6.400]	165.10[6.500]	130	6-5535512-0
	160.02[6.300]	162.56[6.400]	128	5-5535512-9
	157.48[6.200]	160.02[6.300]	126	5-5535512-8
	152.40[6.000]	154.94[6.100]	122	5-5535512-7
	149.86[5.900]	152.40[6.000]	120	5-5535512-6
	147.32[5.800]	149.86[5.900]	118	5-5535512-5
	144.78[5.700]	147.32[5.800]	116	5-5535512-4
	142.24[5.600]	144.78[5.700]	114	5-5535512-3
	139.70[5.500]	142.24[5.600]	112	5-5535512-2
	137.16[5.400]	139.70[5.500]	110	5-5535512-1
	134.62[5.300]	137.16[5.400]	108	5-5535512-0
	132.08[5.200]	134.62[5.300]	106	4-5535512-9
	129.54[5.100]	132.08[5.200]	104	4-5535512-8
	127.00[5.000]	129.54[5.100]	102	4-5535512-7
	124.46[4.900]	127.00[5.000]	100	4-5535512-6
	121.92[4.800]	124.46[4.900]	98	4-5535512-5
	119.38[4.700]	121.92[4.800]	96	4-5535512-4
	116.84[4.600]	119.38[4.700]	94	4-5535512-3
	114.30[4.500]	116.84[4.600]	92	4-5535512-2
	111.76[4.400]	114.30[4.500]	90	4-5535512-1
	109.22[4.300]	111.76[4.400]	88	4-5535512-0
	106.68[4.200]	109.22[4.300]	86	3-5535512-9
	104.14[4.100]	106.68[4.200]	84	3-5535512-8
	101.16[4.000]	104.14[4.100]	82	3-5535512-7
	91.44[3.600]	93.98[3.700]	74	3-5535512-6
	88.90[3.500]	91.44[3.600]	72	3-5535512-5
	83.82[3.300]	86.36[3.400]	68	3-5535512-4
	81.28[3.200]	83.82[3.300]	66	3-5535512-3
	78.74[3.100]	81.28[3.200]	64	3-5535512-2
	76.20[3.000]	78.74[3.100]	62	3-5535512-1
	73.66[2.900]	76.20[3.000]	60	3-5535512-0
	71.12[2.800]	73.66[2.900]	58	2-5535512-9
	63.50[2.500]	66.04[2.600]	52	2-5535512-8
	55.88[2.200]	58.42[2.300]	46	2-5535512-7
	50.8[2.000]	53.34[2.100]	42	2-5535512-6
	48.26[1.900]	50.8[2.000]	40	2-5535512-5
	45.72[1.800]	48.26[1.900]	38	2-5535512-4
	38.10[1.500]	40.64[1.600]	32	2-5535512-3
	35.56[1.400]	38.10[1.500]	30	2-5535512-2
	33.02[1.300]	35.56[1.400]	28	2-5535512-1
	30.48[1.200]	33.02[1.300]	26	2-5535512-0
	25.40[1.000]	27.94[1.100]	22	1-5535512-9
	17.78[.700]	20.32[.800]	16	1-5535512-8
	15.24[.600]	17.78[.700]	14	1-5535512-7
	20.32[.800]	22.86[.900]	18	1-5535512-6
	58.42[2.300]	60.96[2.400]	48	1-5535512-5
	154.94[6.100]	157.48[6.200]	124	1-5535512-4
	99.06[3.900]	101.16[4.000]	80	1-5535512-3
	96.52[3.800]	99.06[3.900]	78	1-5535512-2
	93.98[3.700]	96.52[3.800]	76	1-5535512-1
	86.36[3.400]	88.90[3.500]	70	1-5535512-0
	68.58[2.700]	71.12[2.800]	56	5535512-9
	66.04[2.600]	68.58[2.700]	54	5535512-8
	60.96[2.400]	63.50[2.500]	50	5535512-7
	53.34[2.100]	55.88[2.200]	44	5535512-6
	43.18[1.700]	45.72[1.800]	36	5535512-5
	40.64[1.600]	43.18[1.700]	34	5535512-4
	27.94[1.100]	30.48[1.200]	24	5535512-3
	22.86[.900]	25.40[1.000]	20	5535512-2
	12.70[.500]	15.24[.600]	12	5535512-1
B	A	NO. OF POSN	ASSEMBLY PART NUMBER	

THIS DRAWING IS A CONTROLLED DOCUMENT.

DIN BSV 04NOV04
C/K J OLSON
APV J OLSON

TOLERANCES UNLESS OTHERWISE SPECIFIED:
0. PLC ± -
1. PLC ± -
2. PLC ± 0.13[.005]
3. PLC ± -
4. PLC ± -
ANGLES ± -

MATERIAL FINISH

NAME AMPMODU MOD II RECEPTACLE ASSEMBLY, HORIZONTAL, .100 CL. 2 ROW, CLOSED-ENTRY, SHORT POINT OF CONTACT, END-TO-END STACKABLE
PRODUCT SPEC 108-25026
APPLICATION SPEC 114-25018
SIZE CAGE CODE DRAWING NO. WEIGHT A1 00779 5535512

CUSTOMER DRAWING SCALE 5:1 SHEET 1 of 1 REV B

X-ON Electronics

Largest Supplier of Electrical and Electronic Components

Click to view similar products for [Headers & Wire Housings](#) category:

Click to view products by [TE Connectivity](#) manufacturer:

Other Similar products are found below :

[892-18-020-10-001101](#) [58102-G61-06LF](#) [582553-1](#) [0009485154](#) [009176003701906](#) [0050291907](#) [LY20-4P-DT1-P1E-BR](#) [02.125.8002.8](#)
[609-3404](#) [61062-3](#) [61082-181009](#) [622-3653LF](#) [63453-116](#) [636-1030](#) [636-1427](#) [636-3427](#) [636-4007](#) [641938-9](#) [641991-4](#) [644827-2](#) [65817-010LF](#) [65817-015LF](#) [65863-015LF](#) [66207-023LF](#) [67095-007LF](#) [67601157](#) [68645-018](#) [68648-049](#) [70.362.1628.0](#) [70-4210](#) [70-4226B](#) [70-4853B](#) [707-5020](#) [707-5028](#) [71.350.2428.0](#) [71918-208LF](#) [71961-016LF](#) [733-134](#) [733-162](#) [754199-000](#) [760-3052](#) [787-8014-00](#) [79531-3000](#)
[FCN-360C032-B](#) [FCN-367T-T012/H](#) [FCN-723D010/2](#) [80.063.4001.1](#) [800-90-001-10-001000](#) [800-90-010-10-002000](#) [801-43-002-10-013000](#)