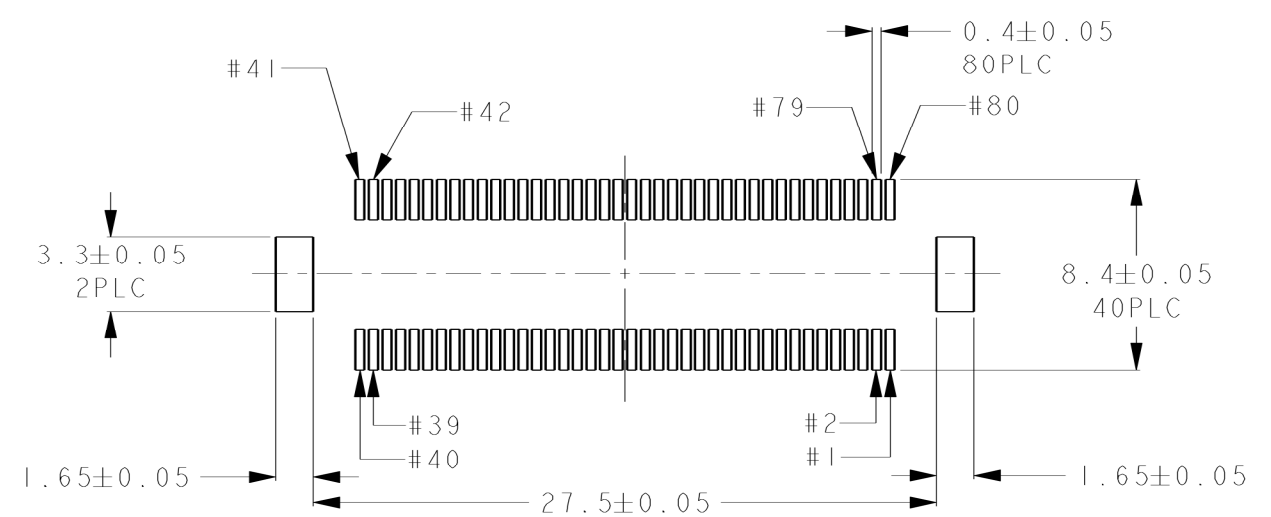
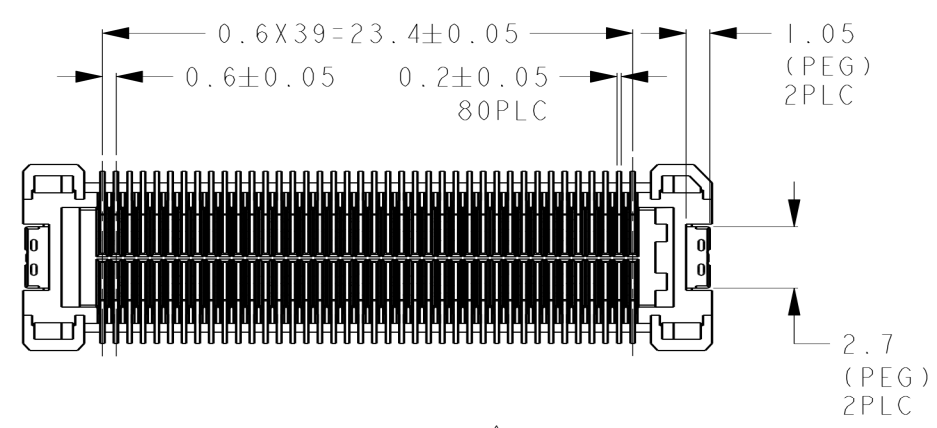
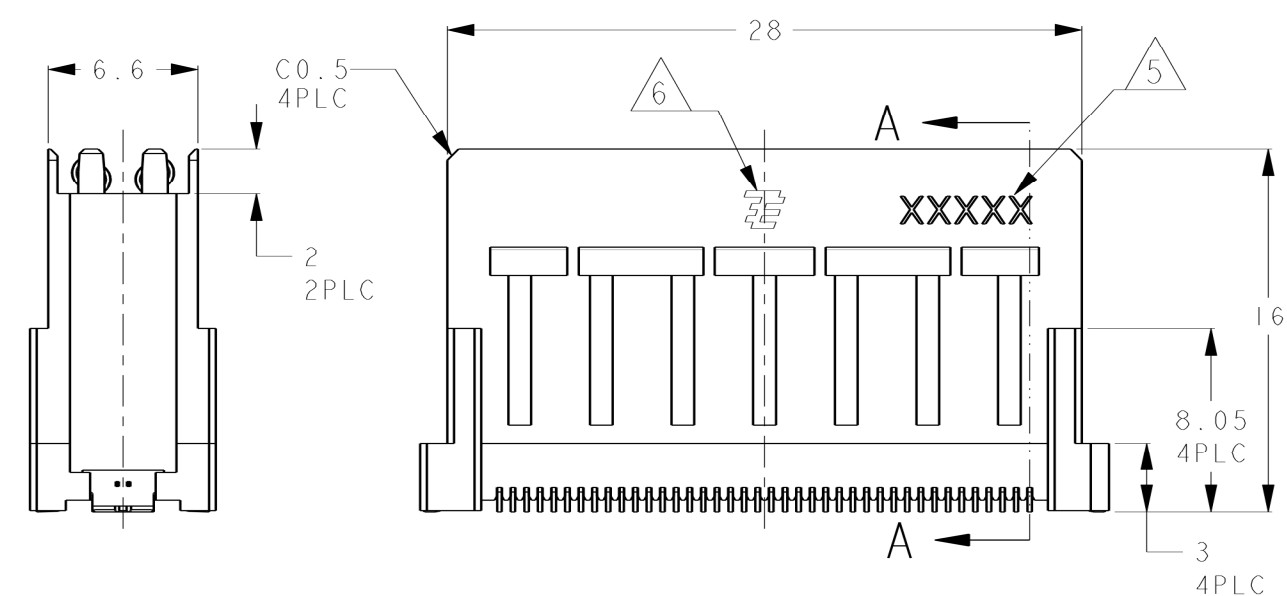
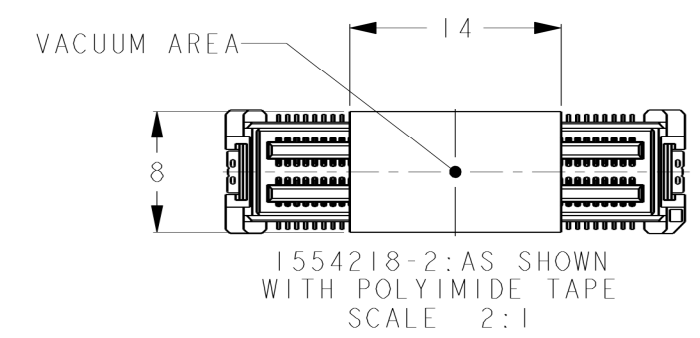
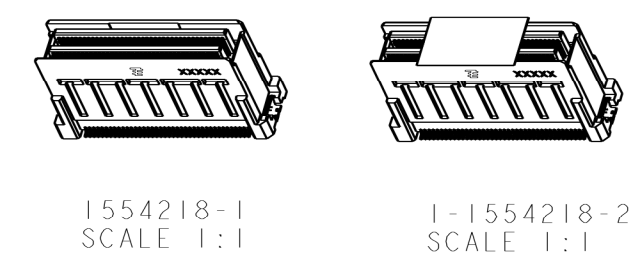
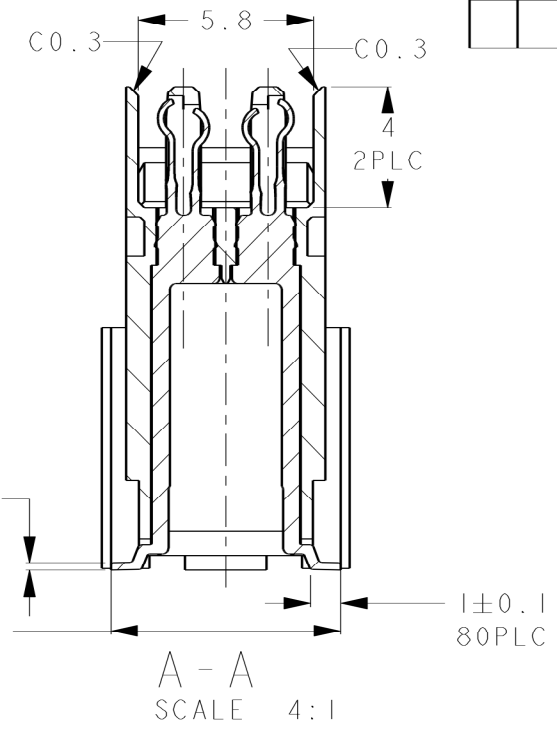
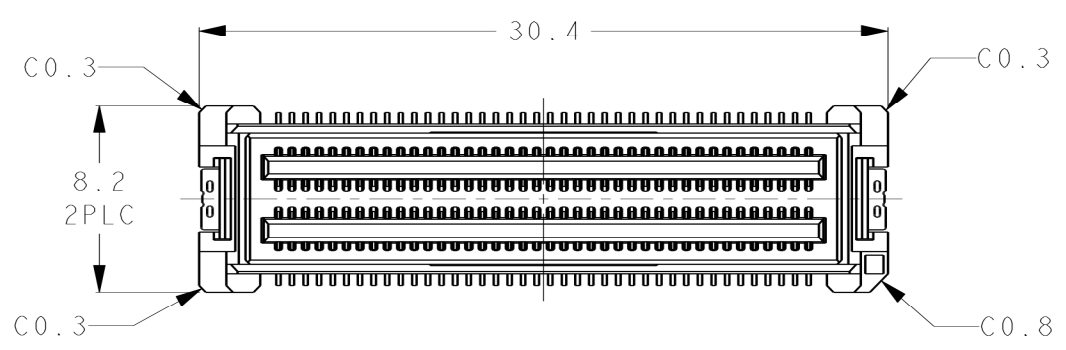


THIS DRAWING IS UNPUBLISHED. RELEASED FOR PUBLICATION 20  
 © COPYRIGHT 20 TE CONNECTIVITY ALL RIGHTS RESERVED.

LOC	DIST	REVISIONS 変更					
		P	LTR	DESCRIPTION	DATE	DWN	APVD
-	-		A	RELEASED	28JUL2010	T.S	N.Y
			B	REVISED	06MAR2013	T.S	N.Y
			C	REVISED	30MAR2018	W.A	B.R



- ① MATERIAL : HOUSING; LCP  
; CONTACT; COPPER ALLOY
- ② FINISH : UNDER Ni PL. 0.8µmMIN  
CONTACT AREA: Au PL. 0.3µmMIN  
SOLDERING AREA: Au FLASH
- 3. COPLANARITY 0.1MAX.
- 4. -1, -2 IS 45 CONNECTORS IN HARD TRAY IN HARD TRAY (SEE SHEET 2)
- ⑤ DATE CODE
- ⑥ TE LOGO MARK

- ① 材料:ハウジング : 液晶ポリマー  
コンタクト : 銅合金
- ② 仕上げ : 全面ニッケル下地 0.8µmMIN  
接点部 金メッキ 0.3µmMIN  
半田付部 金フラッシュ
- 3. コプラナリティー 0.1MAX
- 4. 梱包形態は、-1/-2は45個入り (シート2参照)
- ⑤ デートコード
- ⑥ TEロゴマーク

THIS DRAWING IS A CONTROLLED DOCUMENT.

DIMENSIONS: 単位: 耗 mm	TOLERANCES UNLESS OTHERWISE SPECIFIED: 一般公差 ±0.3 0-PLC ± 1-PLC ±0.5 2-PLC ±0.13 3-PLC ±0.013 4-PLC ±0.001 ANGLES ±3
MATERIAL 材料	FINISH 仕上

DWN	28JUL2010
CHK	T. SHIMOYASU
APVD	28JUL2010
APVD	S. YAMADA
APVD	N. YAMASAKI
PRODUCT SPEC	108-5724
APPLICATION SPEC	
WFIGHT	1.79g

TE Connectivity		NAME 名称	
		HDR ASSEMBLY 16mm HEIGHT 0.6mm PITCH 80P MICRO-STACK CONNECTOR	
SIZE	CAGE CODE	DRAWING NO 番号	RESTRICTED TO
A3	00779	C=1554218	
CUSTOMER DRAWING		SCALE 尺度	SHEET 1 OF 3
		REV	C

THIS DRAWING IS UNPUBLISHED.

RELEASED FOR PUBLICATION

20

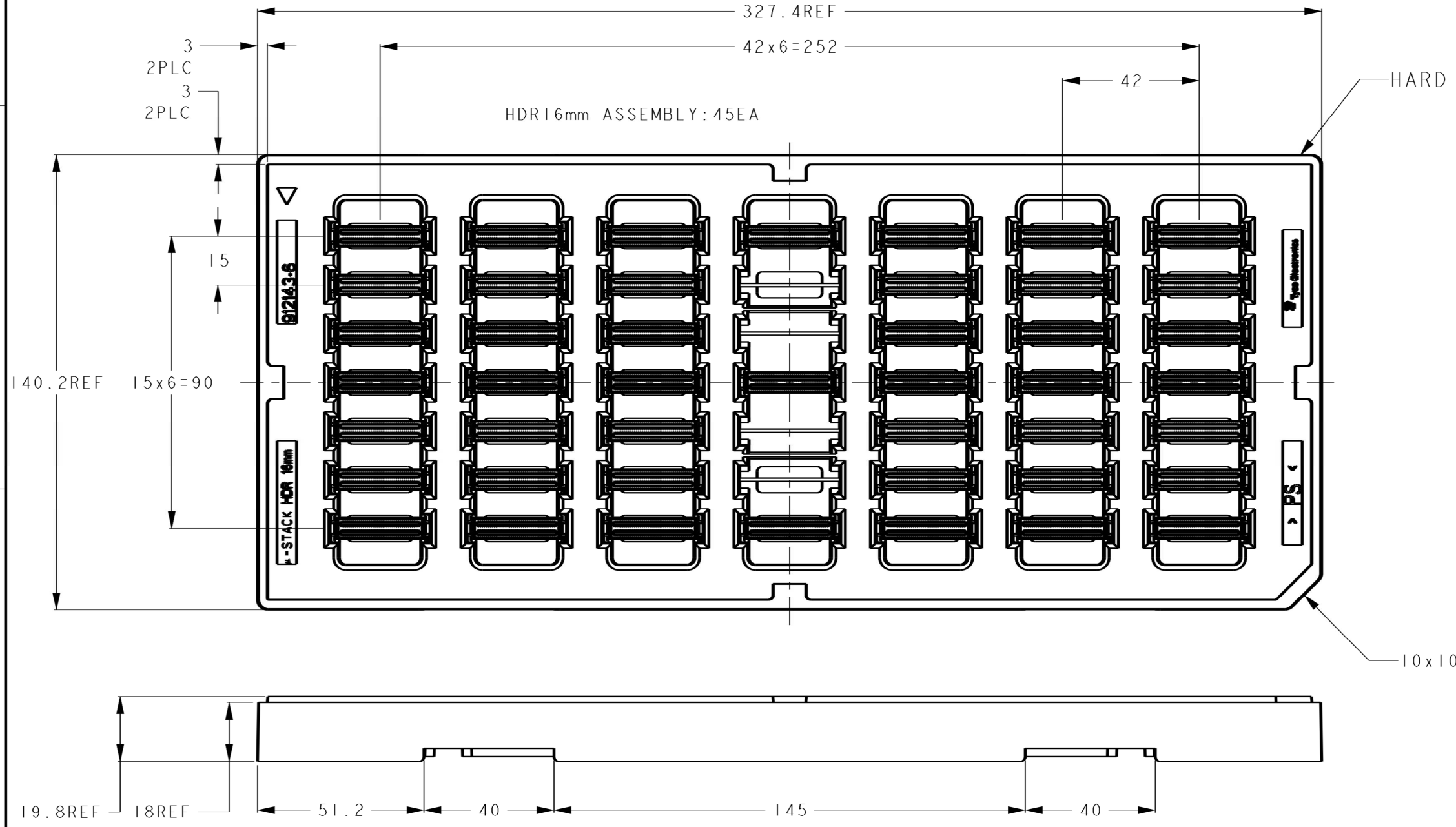
© COPYRIGHT 20 TE CONNECTIVITY

ALL RIGHTS RESERVED.

LOC - DIST -

REVISIONS


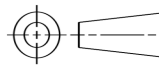
P	LTR	DESCRIPTION	DATE	DWN	APVD
-	-	SEE SHEET 1	-	-	-



- I: AS SHOWN  
- I: 本図

### HARD TRAY PACKING SPEC

45	BLACK
CONN QTY	HARD TRAY COLOR

THIS DRAWING IS A CONTROLLED DOCUMENT.		DWN 28 JUL 2010 T. SHIMOYASU		 <b>TE Connectivity</b>	
DIMENSIONS: 単位: 概 mm		CHK 28 JUL 2010 S. YAMADA			
		TOLERANCES UNLESS OTHERWISE SPECIFIED:		APVD 28 JUL 2010 N. YAMASAKI	
		一般公差 ±0.3 0-PLC ± 1-PLC ±0.5 2-PLC ±0.13 3-PLC ±0.013 4-PLC ±0.000J ANGLES ±3		NAME 名称 HDR ASSEMBLY 16mm HEIGHT 0.6mm PITCH 80P MICRO-STACK CONNECTOR	
MATERIAL 材料		FINISH 仕上		PRODUCT SPEC 製品規格 108-5724	
		WEIGHT 1.79g		APPLICATION SPEC 取付適用規格	
		CUSTOMER DRAWING		SIZE A3 CAGE CODE 00779 DRAWING NO. 1554218 RESTRICTED TO	
		SCALE 1:1		SHEET 2 OF 3 REV C	

4

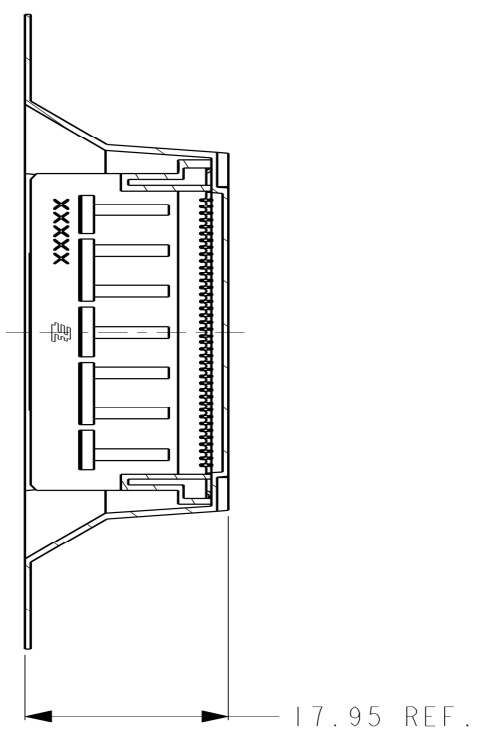
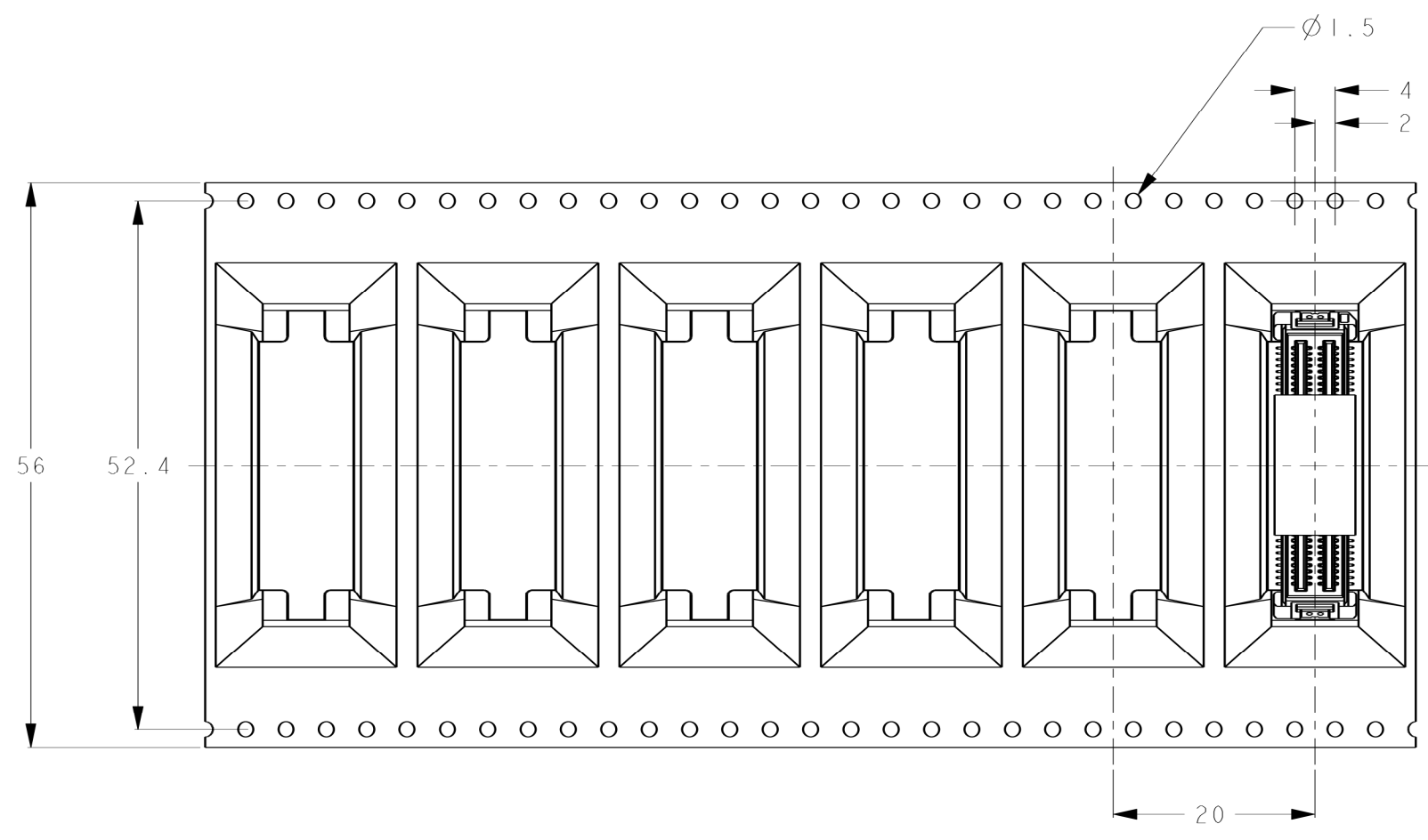
3

2

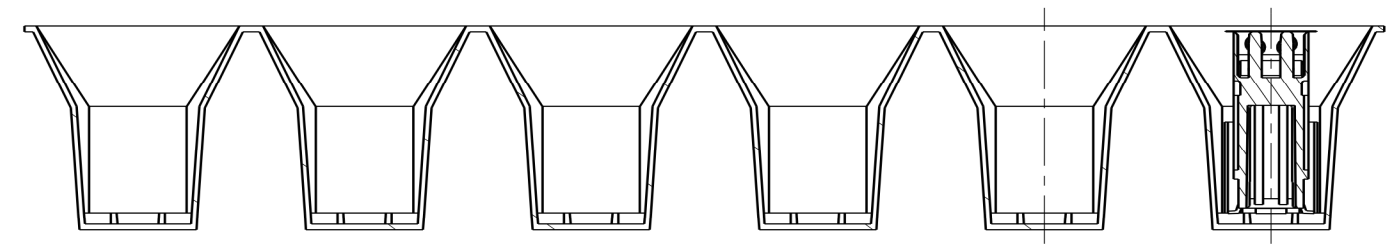
1

THIS DRAWING IS UNPUBLISHED. RELEASED FOR PUBLICATION 20  
 © COPYRIGHT 20 TE CONNECTIVITY ALL RIGHTS RESERVED.

LOC	DIST	REVISIONS					
		P	LTR	DESCRIPTION	DATE	DWN	APVD
-	-	-	-	SEE SHEET 1	-	-	-


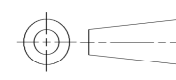


- 1 : AS SHOWN  
 - 1 : 本 図



TAPE REEL PACKING SPEC  
 P/N: 1-1554218-3

140	WHITE
CONN QIY	TAPE REEL COLOR

THIS DRAWING IS A CONTROLLED DOCUMENT.		DWN 28 JUL 2010 T. SHIMOYASU		 TE Connectivity	
DIMENSIONS: 单位: 耗 mm		CHK 28 JUL 2010 S. YAMADA			
		APVD 28 JUL 2010 N. YAMASAKI		0.6mm PITCH 80P	
		TOLERANCES UNLESS OTHERWISE SPECIFIED: 一般公差 ±0.3 0-PLC ± 1-PLC ±0.5 2-PLC ±0.13 3-PLC ±0.013 4-PLC ±0.0001 ANGLES ±3°		MICRO-STACK CONNECTOR	
MATERIAL 材料		FINISH 仕上		APPLICATION SPEC 取付適用規格 -	
		WFIGHT 1.79g		SIZE A3	
		CUSTOMER DRAWING		CAGE CODE 00779	
				DRAWING NO. 1554218	
				RESTRICTED TO	
				SCALE 1:1	
				SHEET 3 OF 3	
				REV C	

## X-ON Electronics

Largest Supplier of Electrical and Electronic Components

*Click to view similar products for [Board to Board & Mezzanine Connectors](#) category:*

*Click to view products by [TE Connectivity](#) manufacturer:*

Other Similar products are found below :

[589158040000018](#) [MDF7C-18P-2.54DSA\(55\)](#) [FCN-230C068-11](#) [FCN-268F012-G/BD](#) [FCN-268F036-G/BD](#) [FCN-268M012-G/0D](#) [FCN-268M024-G/1D](#) [FCN-723J004/1](#) [MIS-048-01-F-D-DP-K](#) [832-10-034-10-001000](#) [FX4C-80S-1.27DSA](#) [FCN-214Q030-G/0](#) [FCN-234P048-G/0](#) [FCN-235D050-G/C](#) [210-93-314-41-105000](#) [2-22603-0](#) [MDF7-40DP-2.54DSA\(55\)](#) [AXG720047](#) [5031084030](#) [MIT-114-03-F-D-K](#) [55323-1519](#) [DF33-2P-3.3DSA\(24\)](#) [YFT-20-05-H-03-SB-K](#) [503308-3040](#) [026-6203-PDB](#) [027-6203-PDB](#) [069159702701000](#) [10123981-102LF](#) [101A10019X](#) [55650-0588-C](#) [68682-310LF](#) [68684-306](#) [75140-7012](#) [87471-650](#) [194261-1](#) [FCN-268F024-G0D](#) [10124054-515LF](#) [68685-603](#) [8-1616154-3](#) [MIS-019-01-F-D](#) [FCN-268M024-G/3D](#) [20021832-06016C1LF](#) [KX15-20KLDL-E1000E](#) [MDF7-16DP-2.54DSA\(55\)](#) [AXE810124](#) [FCN-214J100-G/0](#) [FCN-230C068-E/S](#) [AXE812124](#) [AXE816124](#) [AXE720127](#)