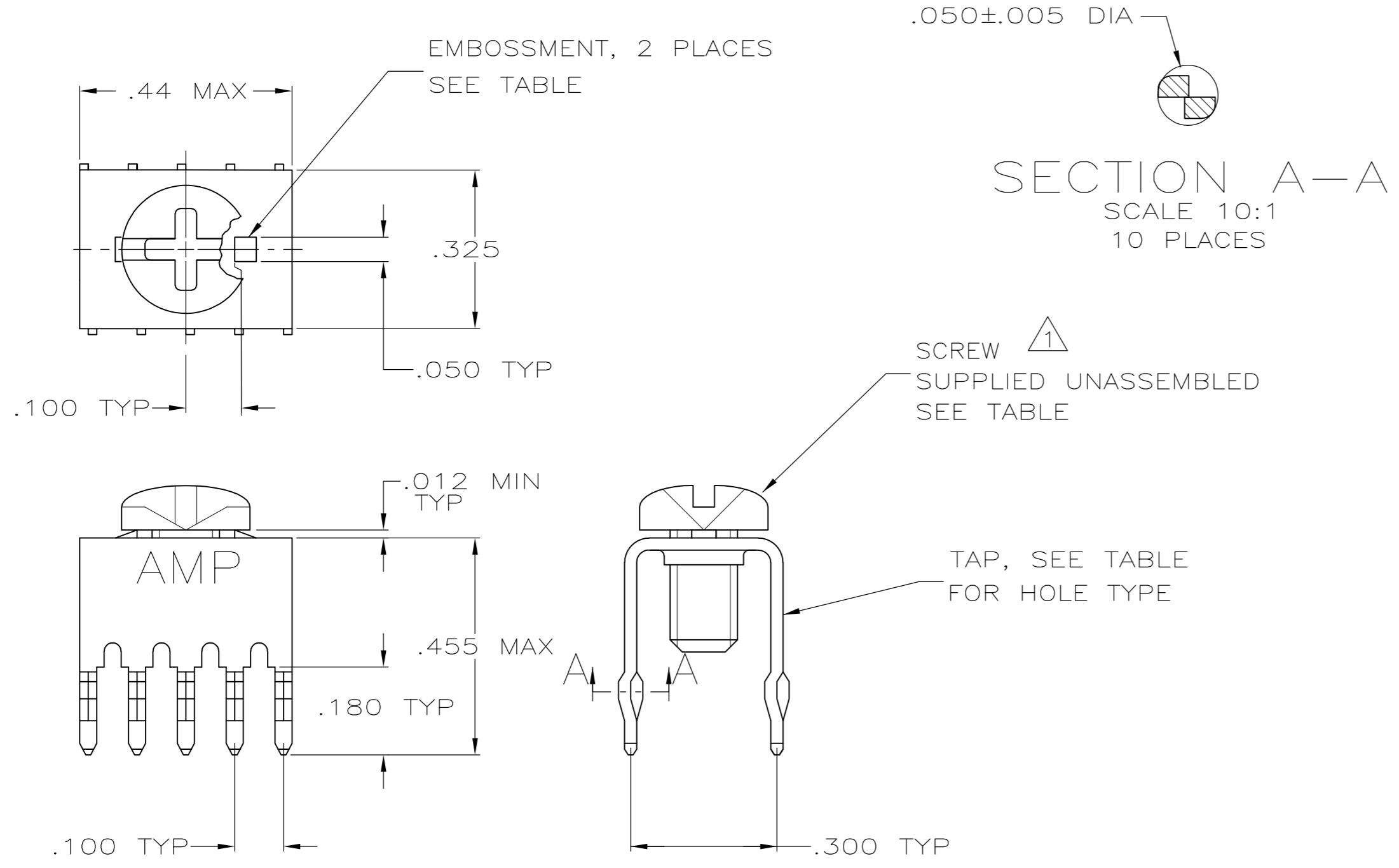
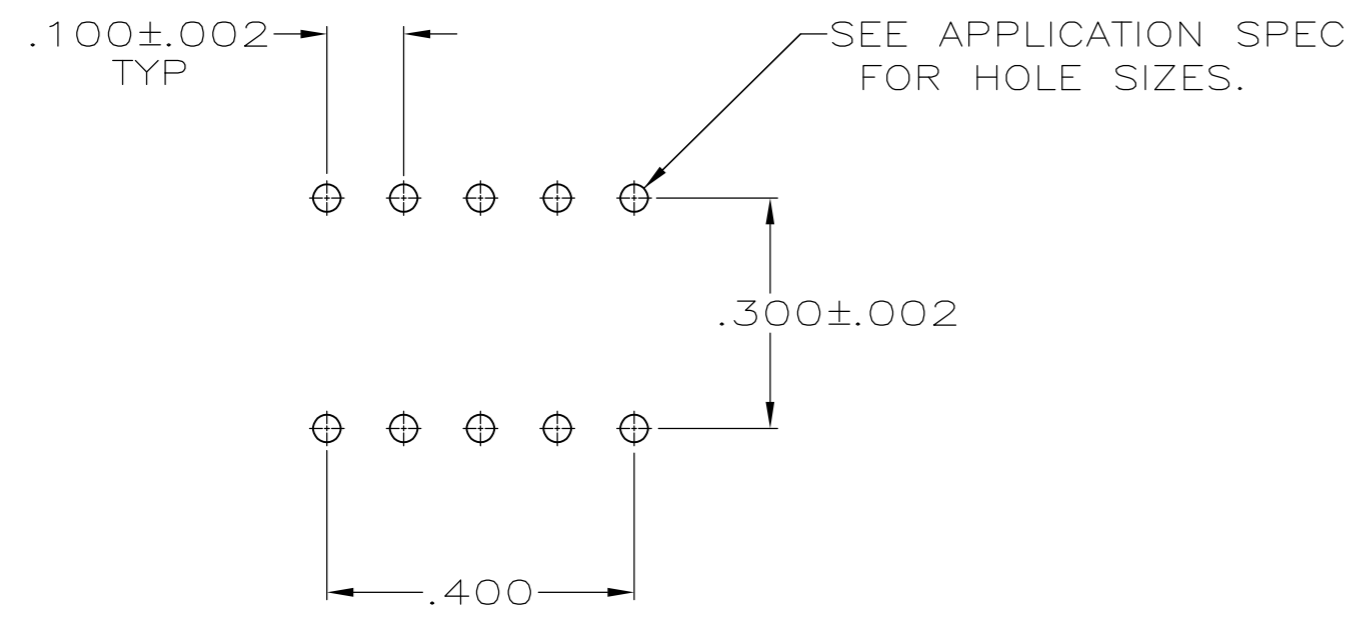


THIS DRAWING IS UNPUBLISHED. RELEASED FOR PUBLICATION
 © COPYRIGHT - By - ALL RIGHTS RESERVED.

REVISIONS				
P	LTR	DESCRIPTION	DATE	APVD
N		REVISED PER ECR-17-006536	14SEP2017	RS SZ



- ① TO PREVENT THREAD STRIPPING, SCREW TORQUE SHOULD NOT EXCEED 9 IN LBS.
- ② TAP HOLE IS 6-32UNC-2B, TWO MIN THREADS.
- ③ TAP HOLE IS M4 X 0.7, TWO MIN THREADS.
- ④ TAP: .000150 TIN-LEAD OVER .000050 NICKEL.
- ⑤ TAP: .000150 TIN OVER .000050 NICKEL.



OBSOLETE			993879-1	YES	9-55558-1
OBSOLETE	⑤	②	NO	YES	9-55558-0
OBSOLETE	④	③	NO	YES	1-55558-1
SUPERSEDED BY -4		②	993879-1	NO	55558-8
OBSOLETE		②	NO	NO	55558-7
OBSOLETE	④	②	993879-1	YES	55558-4
OBSOLETE		②	NO	YES	55558-3
			FINISH	HOLE TYPE	SCREW
			EMBOSSMENT	PART NUMBER	

THIS DRAWING IS A CONTROLLED DOCUMENT.		DWN J. McCLINTON 1-11-88	TE Connectivity														
DIMENSIONS: INCHES		CHK R. STONE 1-11-88															
TOLERANCES UNLESS OTHERWISE SPECIFIED:		APVD M. GALLOWAY 1-11-88	NAME TAP, POWER DISTRIBUTION														
<table border="1"> <tr><td>0 PLC</td><td>± -</td></tr> <tr><td>1 PLC</td><td>± -</td></tr> <tr><td>2 PLC</td><td>± -</td></tr> <tr><td>3 PLC</td><td>± .008</td></tr> <tr><td>4 PLC</td><td>± -</td></tr> <tr><td>ANGLES</td><td>± -</td></tr> </table>		0 PLC	± -	1 PLC	± -	2 PLC	± -	3 PLC	± .008	4 PLC	± -	ANGLES	± -	PRODUCT SPEC -	SIZE A2	CAGE CODE 00779	DRAWING NO C=55558
0 PLC	± -																
1 PLC	± -																
2 PLC	± -																
3 PLC	± .008																
4 PLC	± -																
ANGLES	± -																
MATERIAL COPPER ALLOY 725.		FINISH ④⑤	WEIGHT 0.000000	RESTRICTED TO -													
CUSTOMER DRAWING			SCALE 4:1	SHEET 1 of 1	REV N												

X-ON Electronics

Largest Supplier of Electrical and Electronic Components

Click to view similar products for [Power to the Board](#) category:

Click to view products by [TE Connectivity](#) manufacturer:

Other Similar products are found below :

[10131318-08512GRLF](#) [6450171-4](#) [6450552-7](#) [6600323-8](#) [6643429-1](#) [6646040-2](#) [6651939-1](#) [6766604-1](#) [120959-1](#) [1393557-2](#) [1393532-2](#)
[1393532-3](#) [1393532-4](#) [1600812-5](#) [1-6450861-2](#) [1645595-1](#) [1743490-1](#) [1744132-7](#) [1761122-1](#) [1766169-1](#) [1766250-1](#) [18362](#) [1892109-1](#) [1-](#)
[967627-6](#) [2226808-1](#) [2-6450860-5](#) [2-6450860-6](#) [2-6450870-0](#) [93003-0502](#) [953552-1](#) [1-6450161-4](#) [1-6450850-6](#) [1645526-2](#) [1-6600130-0](#)
[1743419-1](#) [1766150-1](#) [2005243-2](#) [211110-1](#) [2-6600130-2](#) [TE34-12-16P-F0](#) [5-6450830-6](#) [5646956-4](#) [36662-0005](#) [40585-3000](#) [4-6450830-9](#)
[4-6600333-3](#) [51142-0214](#) [10134048-911LF](#) [10130248-005LF](#) [6600320-3](#)