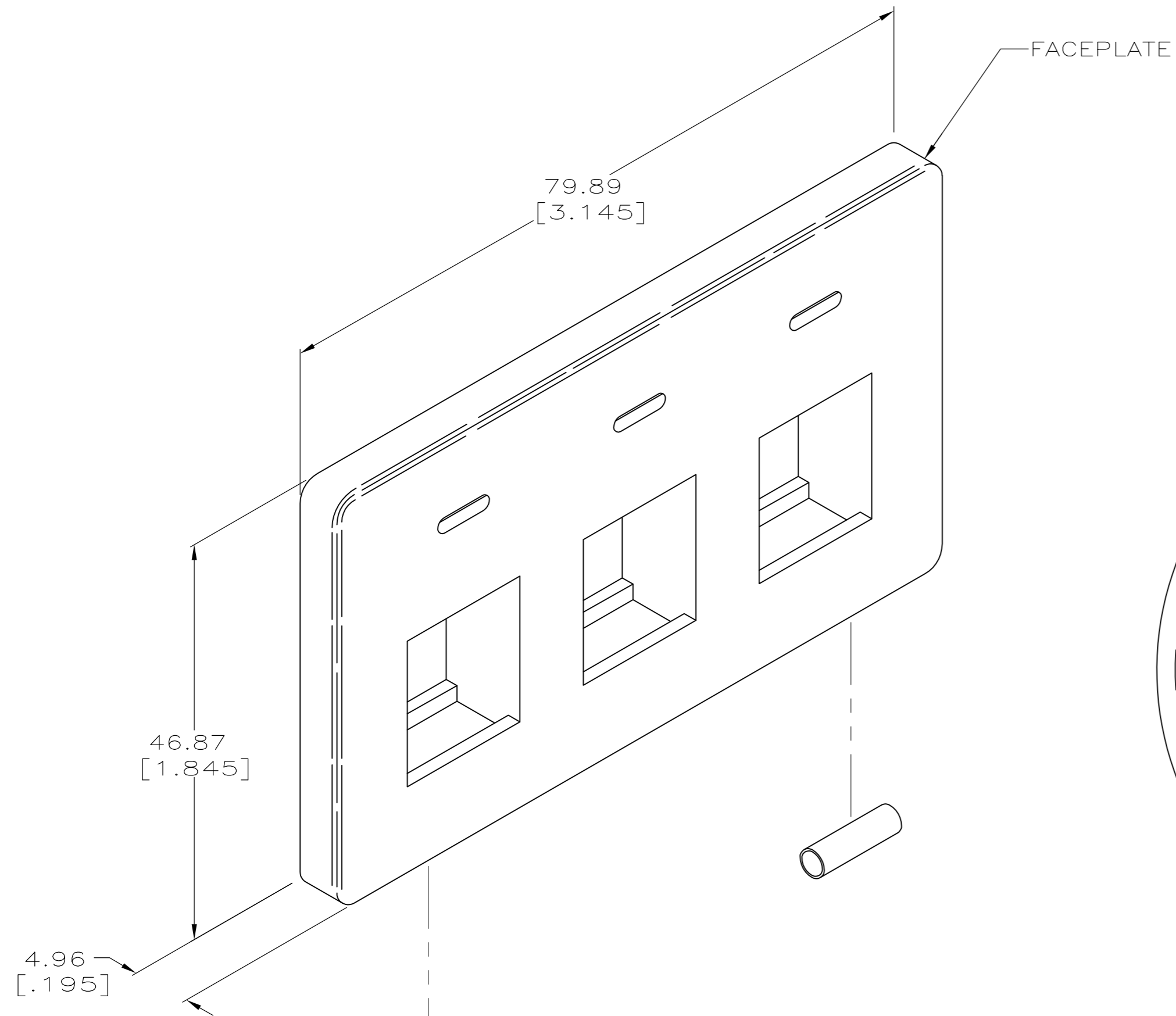
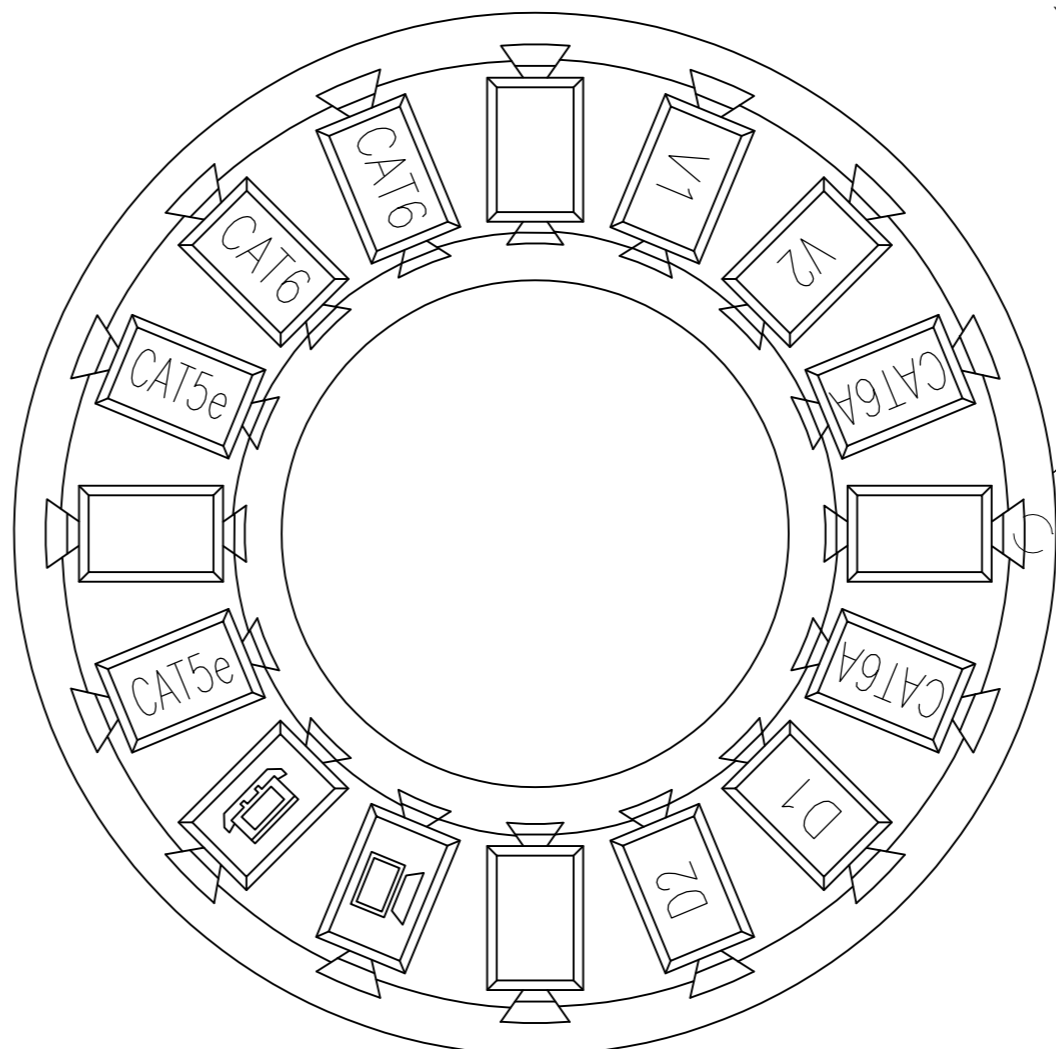


THIS DRAWING IS UNPUBLISHED. RELEASED FOR PUBLICATION
 © COPYRIGHT - By - ALL RIGHTS RESERVED.

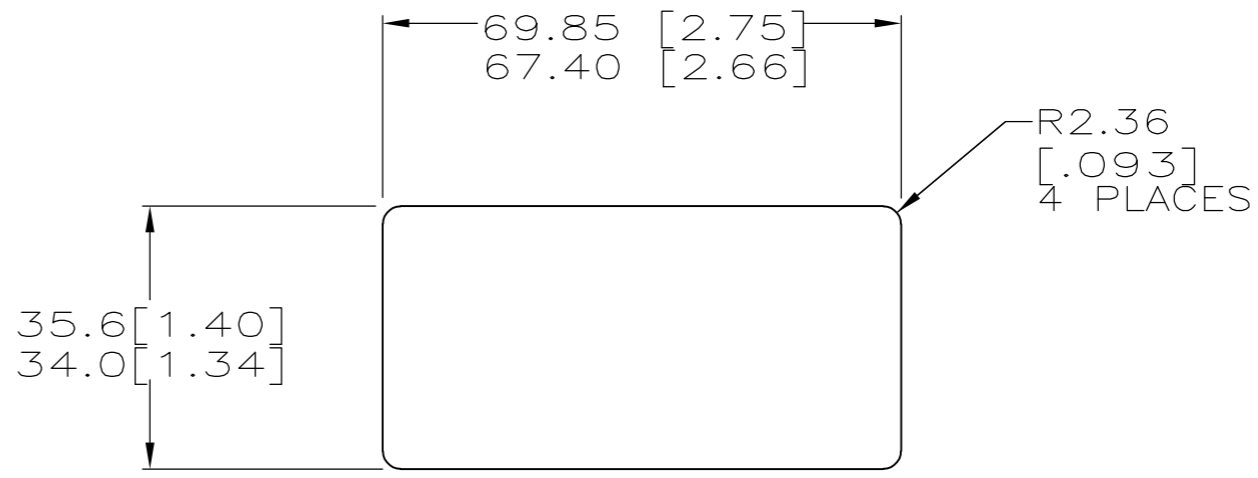
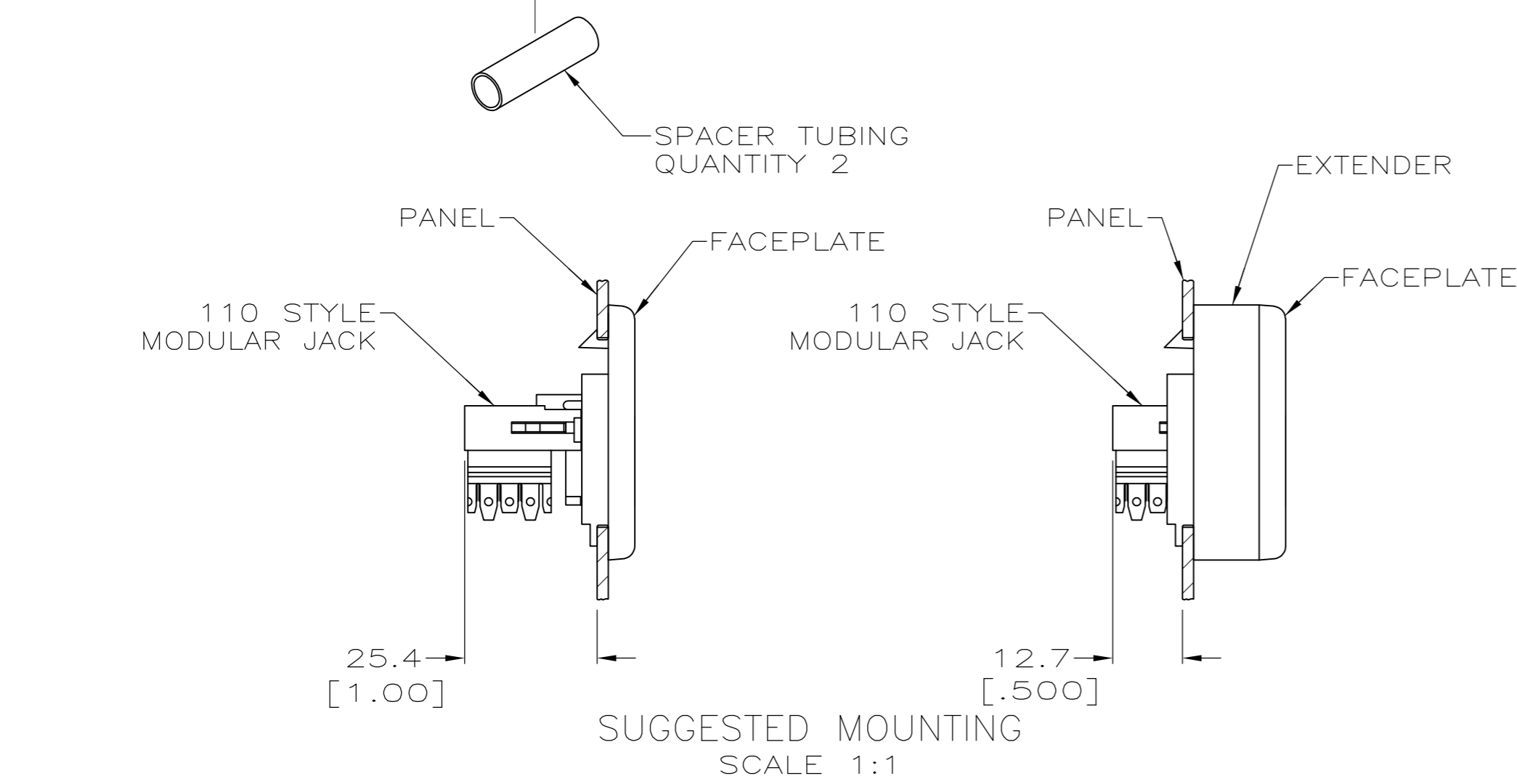
LOC		DIST		REVISIONS			
P	LTR	DESCRIPTION		DATE	DWN	APVD	
HM	00	G	ADD	-3, REV ECO-11-017769	31AUG2011	LH	RA



- 1 MATERIAL: FACEPLATE - POLYCARBONATE MOLDING COMPOUND, SEE TABLE FOR COLORS. ICON - ABS MOLDING COMPOUND, BLACK. SPACER TUBE - POLYOLEFIN, BLACK.
- 2 DIMENSIONS ARE MAXIMUM UNLESS OTHERWISE SPECIFIED.
- 3. THE FACEPLATE CAN BE INSTALLED INTO PANELS WHICH ARE 2.03[.080] TO 1.14[.045] THICK.



ICON WHEEL
 VOICE, DATA
 CATEGORY
 QUANTITY 1



RECOMMENDED PANEL CUTOUT

COLOR	PART NUMBER
ELECTRIC IVORY	1-558107-1
NEMA GRAY	558107-4
WHITE	558107-3
LIGHT ALMOND	558107-2
BLACK	558107-1

THIS DRAWING IS A CONTROLLED DOCUMENT.		DWN	L. HALL	22NOV2005		TE Connectivity		
DIMENSIONS: mm [INCHES]		CHK	G. BOWMAN	23NOV2005		NAME		
TOLERANCES UNLESS OTHERWISE SPECIFIED:		APVD	G. BOWMAN	23NOV2005		FACEPLATE KIT, 3 PORT, 110CONNECT, FLUSH MOUNT, FLEX MODE		
0 PLC ± -		PRODUCT SPEC	-			SIZE	CAGE CODE	DRAWING NO
1 PLC ± -		APPLICATION SPEC	408-3317		A2	00779	C=558107	-
2 PLC ± -		WEIGHT	-		SCALE		SHEET	REV
3 PLC ± -		CUSTOMER DRAWING	-		2:1		1 of 1	G
4 PLC ± -								
ANGLES ± -								
FINISH								
-								

X-ON Electronics

Largest Supplier of Electrical and Electronic Components

Click to view similar products for [Modular Connectors / Ethernet Connectors](#) category:

Click to view products by [TE Connectivity](#) manufacturer:

Other Similar products are found below :

[8949-H88/06BLKA/SN](#) [74441-0010/BKN](#) [MP1010RX-1000](#) [MP44RX-1000](#) [PHJ-4P4C-1-V-4](#) [PHP-6P6C-5](#) [GAX-3-66](#) [GAX-8-62](#) [GDCX-PA-66-50](#) [GDCX-PN-64](#) [GDCX-PN-66](#) [GDCX-PN-66-50](#) [GDLX-A-66](#) [GDLX-N-66](#) [GDLX-S-66](#) [GDLX-S-88K](#) [GDTX-S-88-50](#) [GDX-PA-1010](#) [GLX-N-1010M-BLK](#) [GLX-S-88M-BLK](#) [GMX-N-1010](#) [GMX-S-1010](#) [GMX-S-66](#) [GMX-SMT4-N-88](#) [GPX-2-64](#) [GSGX-N-2-88](#) [GSGX-N-4-88](#) [GSX-NS2-88-3.05](#) [GSX-NS2-88-3.05-50](#) [GSX-NS-88-3.05-50](#) [PT-108A-8C-UL](#) [PT-J951-8C](#) [PTS-J531-8CS-50UL](#) [1-1775629-2](#) [A-2014-0-4](#) [GWLX-S-88-GR](#) [GWLX-S9-88-YG](#) [DC-1021-8-WH-6](#) [1300530003](#) [1324640-4](#) [RJ11FTVC2G](#) [RJ11FTVC2N](#) [RJFTVX2SA1G](#) [132764-001](#) [1413235](#) [MP88X-1000](#) [MPS88RX-5000](#) [E5288-S000K3-L](#) [E5908-15A242-L](#) [155302-001](#)