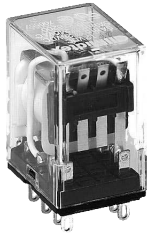


GENERAL PURPOSE RELAY

TYPE 156



FEATURES:

- High reliability / Long life.
- AC & DC coil.
- Epoxy sealed type available.
- Multiple options available.
- Contact rating 5A @ 240VAC resistive load.
- PCB mount and plug-in..

TYPE 156



CONTACT RATING

Type	2 Pole	4 Pole
Resistive Load	5A/28VDC	5A/28VDC
General use	5A/240VAC	5A/240VAC

COIL DATA (DC)

Rated Voltage (V)	Rated Current ±10% at 25°C (mA)	Coil Resistance ±10% at 25°C (Ω)	Max. Continuous Voltage at 25°C	Pickup Voltage (Max) at 25°C	Dropout Voltage (Min) at 25°C	Power Consumption at Rated Voltage
6	150	40	110% of rated voltage	75% of rated voltage	10% of rated voltage	Approx. 0.9 W
12	75	160				
24	37	650				
48	19	2600				
110	10	11000				

COIL DATA (AC)

Rated Voltage (V)	Coil Resistance ±10% at 25°C (Ω)	Max. Continuous Voltage at 25°C	Pickup Voltage (Max) at 25°C	Dropout Voltage (Min) at 25°C	Power Consumption at Rated Voltage
12	40	110% of rated voltage	85% of rated voltage	30% of rated voltage	Approx. 1.2 VA
24	160				
240	3400				
220	13600				

PART NUMBERING SYSTEM

Relay Type	Enclosure & Terminals	Contact Form	Coil Voltage	Contact Material & Ratings	Standard or Special
156	1-Dust Cover/Solder Lug/3-48 Stud 2-Dust Cover/PCB 3-Dust Cover/Solder Lug/3-48 Stud/Sealed.* 5-Dust Cover/Solder Lug/Sealed* 6-Flanged Cover/Solder Lug 7-Dust Cover/PCB/Sealed *Sealed, 4PDT only	2-DPDT 4-4PDT	G-5VDC A-6VDC B-12VDC C-24VDC D-48VDC F-110VDC P-12VAC Q-24VAC T-120VAC U-240VAC	1-3/32" Silver (Gold Flash) 2-3/32" Silver Cadmium Oxide 7-3/32" Silver Gold Diffused	00-Standard C0-Push Button LC-Lamp & Push Button L0-Lamp Across Coil Consult Factory For Any Specials

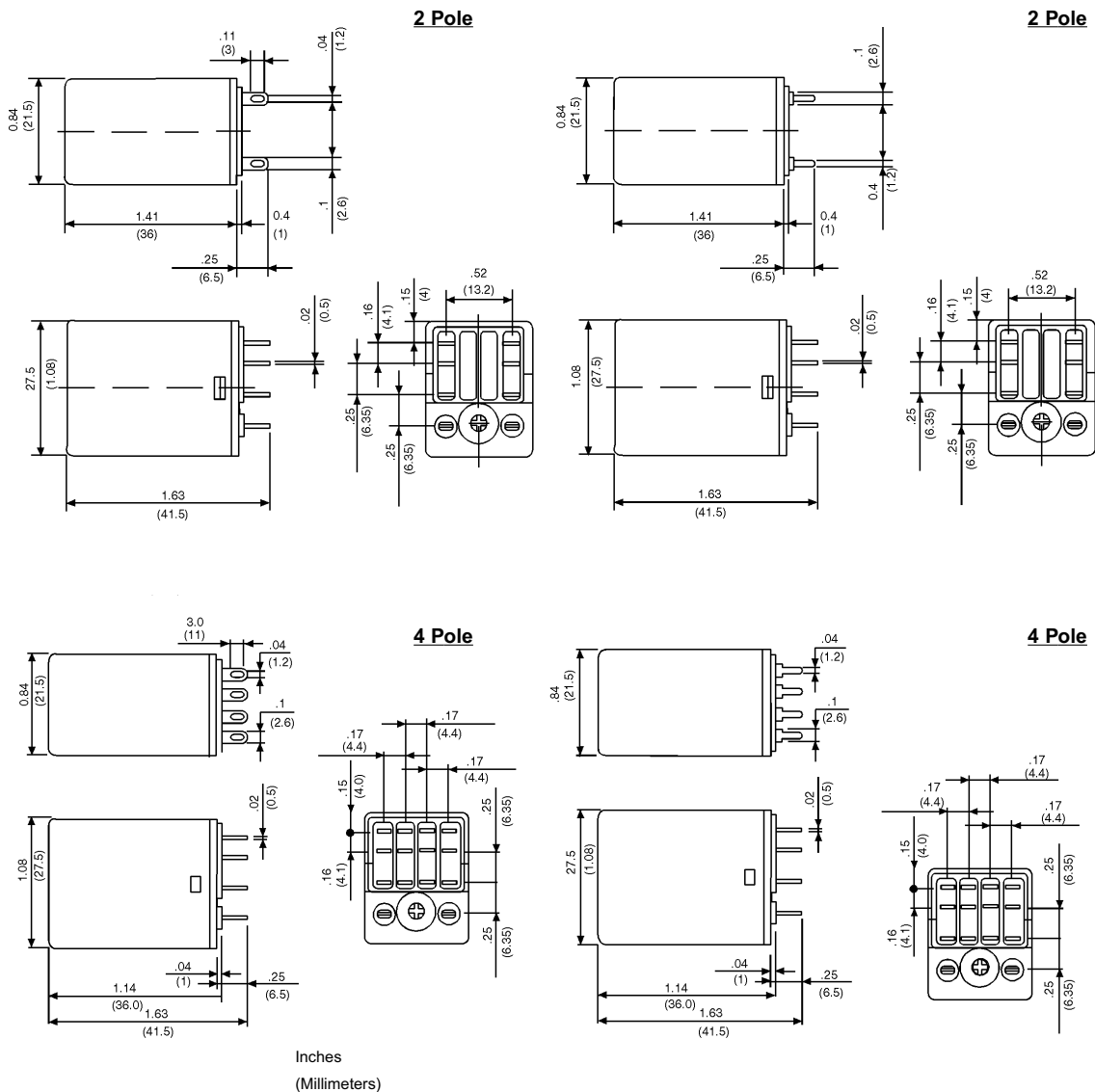
Example: 156-14C200

Stock item: 156-12B200, 156-12C200, 156-12T200, 156-12Q200, 156-12U200, 156-14B200, 156-14C200, 156-14T200, 156-14Q200, 156-24B200, 156-24T200, 156-62B200, 156-62C200, 156-62T200, 156-62Q200.

TYPE 156

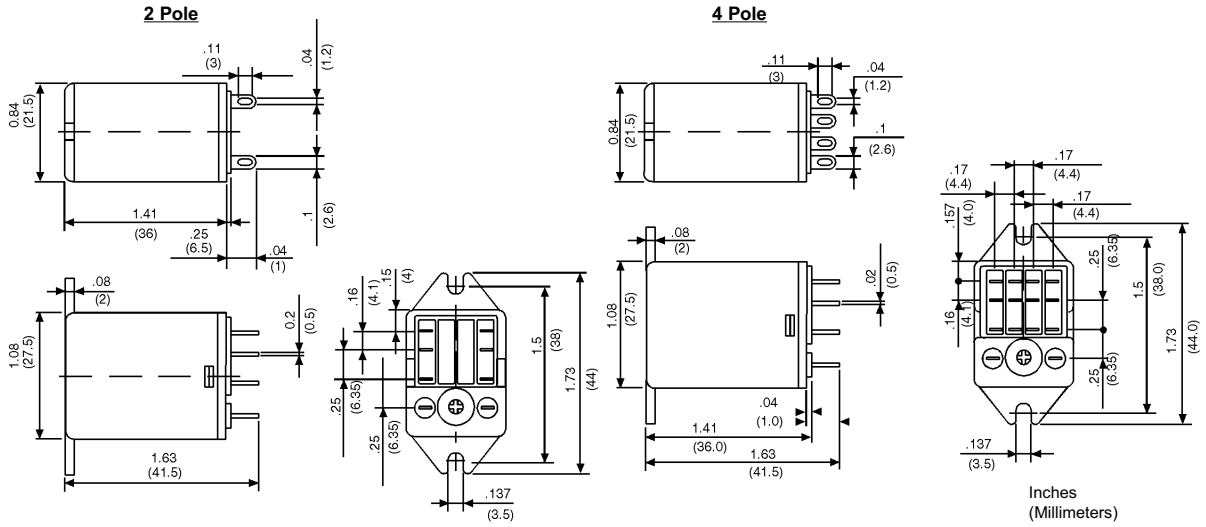
SPECIFICATIONS	
Contact resistance	50 m Max. (initial value)
Operate time	25 mS Max.
Release time	25 mS Max.
Insulation resistance	100 M Min. (DC 500V)
Dielectric strength	Between open contact: AC 500V 50/60 Hz 1 minute. Between contact and coil: AC 1500V 50/60 Hz 1 minute. Between contact circuits: AC 1500V 50/60 Hz 1 minute.
Vibration resistance	Damage limits & Operating extremes: 10~55 Hz, amplitude 1.0 mm
Shock resistance	Damage limits: 100g, Operating extremes: 20g
Life expectancy for mechanical	10,000,000 operations (frequency 18,000 operations/hr)
Life expectancy for electrical	100,000 operations (frequency 1,800 operations/hr)
Operating temperature	-25~+55 °C (no freezing)
Weight	Approx. 35g

DIMENSIONS



TYPE 156

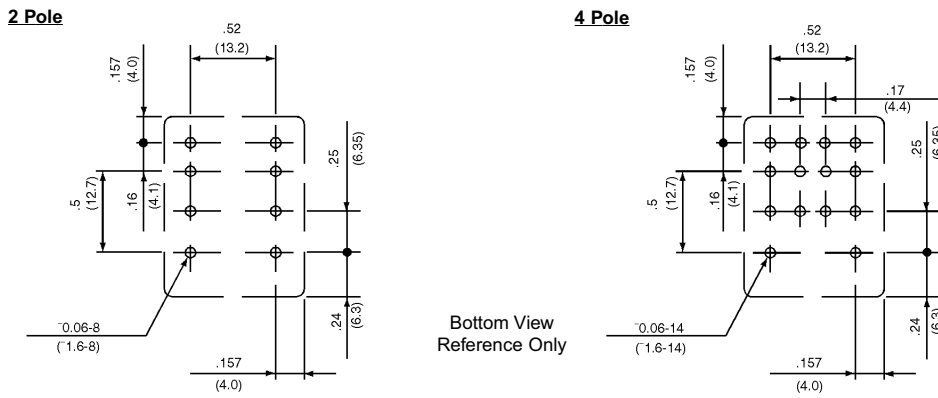
DIMENSIONS ON FLANGED COVER



WIRING



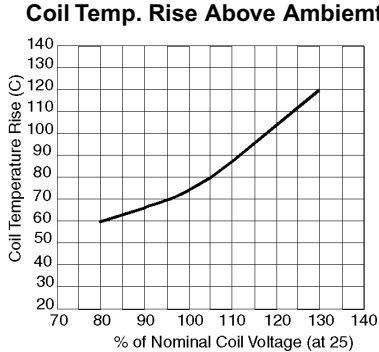
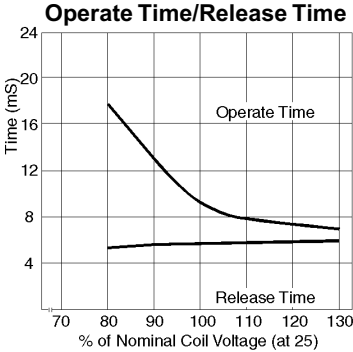
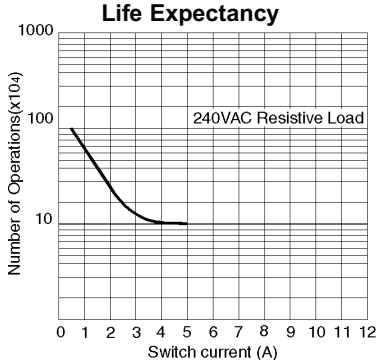
PCB LAYOUT



See RELAY SOCKETS on page 50.
See HOLD DOWN SPRINGS on page 53.

TYPE 156

CURVES



SAFETY APPROVAL

CERTIFIED	FILE NO.
UL	E557081
CSA	LR700557
TUV	9452080

X-ON Electronics

Largest Supplier of Electrical and Electronic Components

Click to view similar products for [General Purpose Relays](#) category:

Click to view products by [TE Connectivity](#) manufacturer:

Other Similar products are found below :

[PCN-105D3MH,000](#) [59641F200](#) [5JO-1000CD-SIL](#) [LY1SAC110120](#) [5X827E](#) [5X837F](#) [5X840F](#) [5X842F](#) [5X848E](#) [LY2N-AC120](#) [LY2S-AC220/240](#) [LY2-US-AC120](#) [LY3-US-AC120](#) [LY4F-UA-DC12](#) [LY4F-UA-DC24](#) [LY4F-US-AC120](#) [LY4F-US-AC240](#) [LY4F-US-DC24](#) [LY4F-VD-AC110](#) [LYQ20DC12](#) [M115C60](#) [M115N010](#) [M115N0150](#) [6031007G](#) [603-12D](#) [61211T0B4](#) [61212T400](#) [61222Q400](#) [61243B600](#) [61243C500](#) [61243Q400](#) [61311BOA2](#) [61311BOA6](#) [61311BOA8](#) [61311C0A2](#) [61311COA1](#) [61311COA6](#) [61311F0A2](#) [61311QOA1](#) [61311QOA4](#) [61311T0D6](#) [61311TOA6](#) [61311TOA7](#) [61311TOB3](#) [61311TOB4](#) [61311U0A6](#) [61312Q600](#) [61312T400](#) [61312T600](#) [61313U200](#)