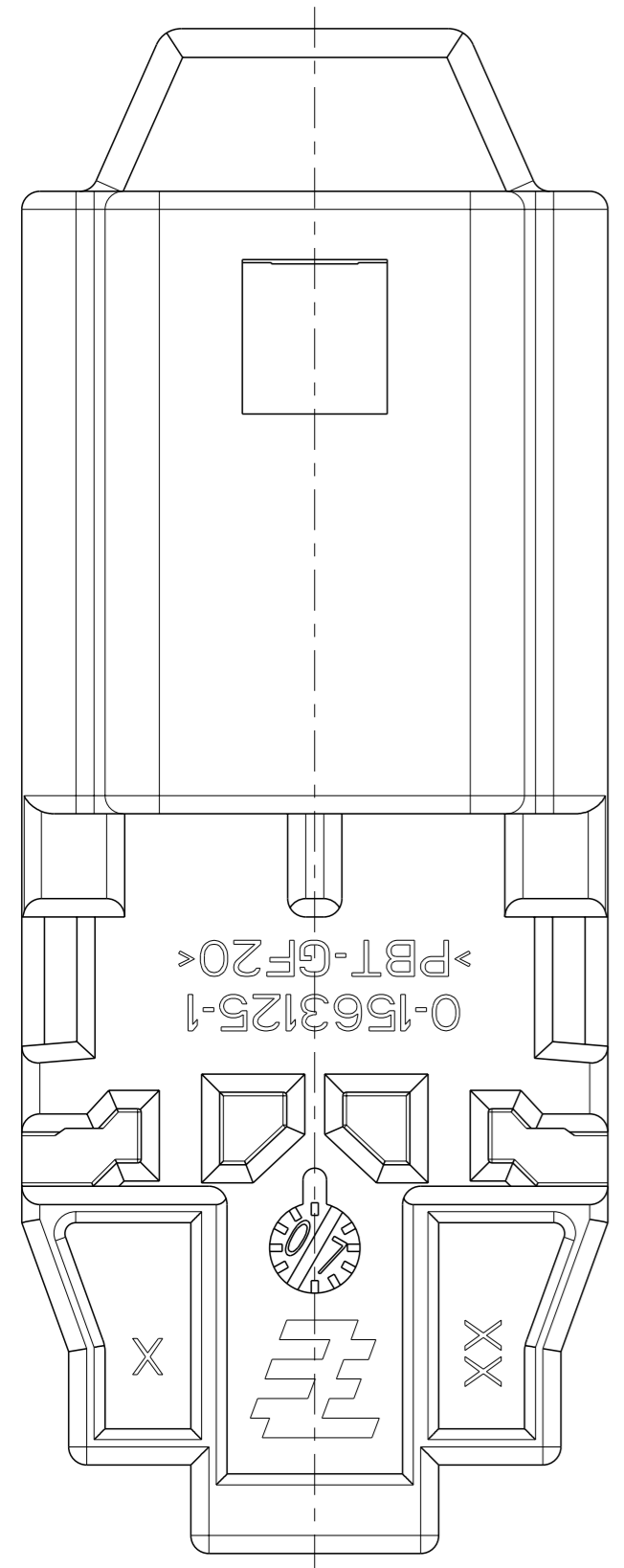
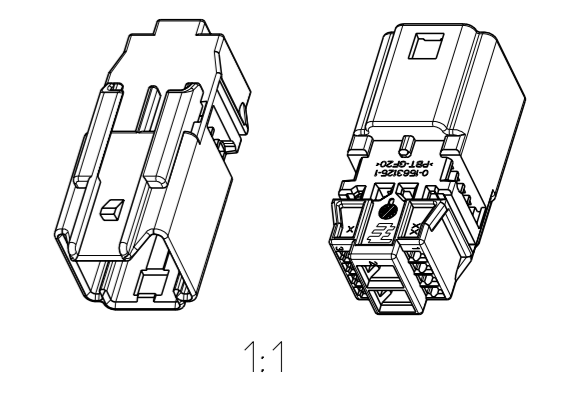
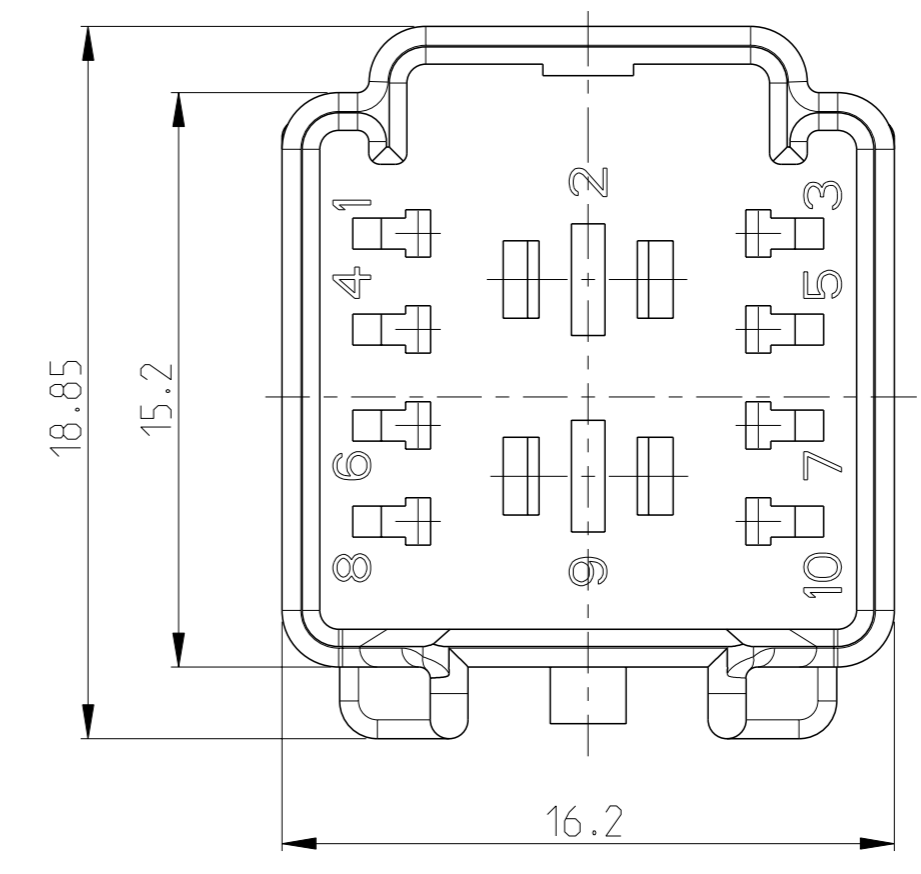
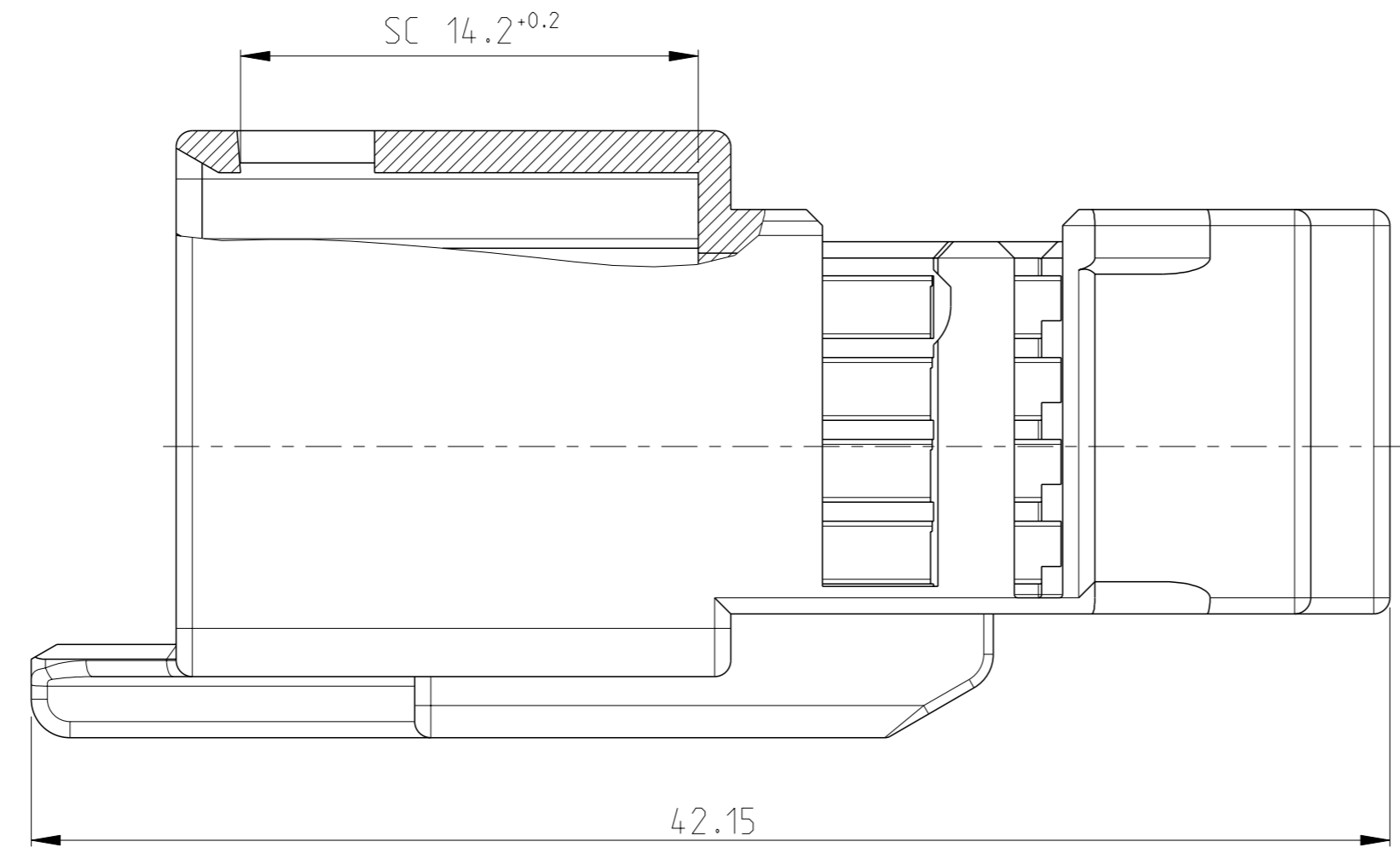
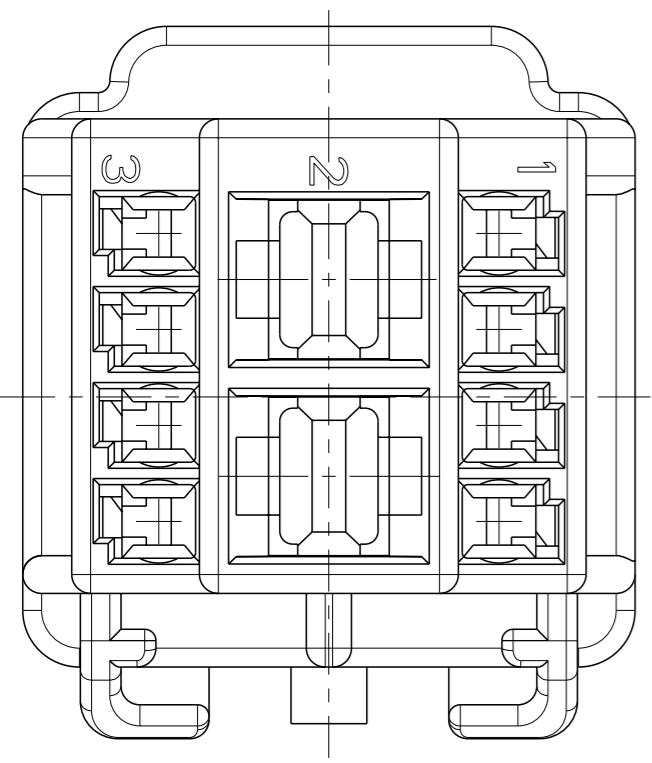


THIS DRAWING IS UNPUBLISHED. RELEASED FOR PUBLICATION 2007
 © COPYRIGHT 2007 Tyco Electronics AMP GmbH ALL RIGHTS RESERVED.

| LOC | DIST | REVISIONS | | | |
|-----|------|---------------|-----------|-----|------|
| P | LTR | DESCRIPTION | DATE | DWN | APVD |
| A1 | - | | | | |
| B2 | | ECR-12-002462 | 08FEB2012 | GP | GM |
| B3 | | ECR-20-005126 | 07APR2020 | KC | PT |
| B4 | | ECR-20-013557 | 23SEP2020 | SRN | PT |
| B5 | | ECR-20-014817 | 20OCT2020 | KC | PT |



SECONDARY LOCK TO BE MOUNTED BY HARNESSMAKER AFTER CONTACT INSERTION:
 Zweite Kontaktsicherung wird nach Kontaktbestueckung durch den Kabelkonfektionierer montiert:

0-1563126-1
 10POS MIXED SECONDARY LOCK

DELIVERY CONDITION:
PARTS UNMOUNTED EACH IN SEPERATE BOXES.
SECONDARY LOCK TO BE ORDERED SEPERATELY !

Anlieferungszustand:
Teile werden separat geliefert.
Zweite Kontaktsicherung muss separat bestellt werden !

NOTES:
 Bemerkungen:
 1 MATED WITH TE-PN: 0-1563123-1
 Verwendet mit TE-PN: 0-1563123-1
 SC SIGNIFICANT CHARACTERISTIC
 Signifikantes Merkmal

| PART NO | DESCRIPTION | COLOUR | ITEM NO |
|-------------|--------------------------|-----------------------|---------|
| 0-1563125-2 | 10POS. MIXED TAB HOUSING | NATURE | 1 |
| 0-1563125-1 | 10POS. MIXED TAB HOUSING | BLACK SIMILAR RAL9011 | 1 |

PARTS LIST

| DESCRIPTION Beschreibung | FINISH Oberflaeche | TERMINALS TE-NO. Kontakte TE-Nr. |
|---|-----------------------|-------------------------------------|
| MCON 1.2 LL TAB CONTACT (0.25mm ² -0.35mm ²) WITH INS.Ø1.1-Ø1.75 | TIN PLATE | 5-1418758-1 |
| MCON 1.2 LL TAB CONTACT (0.5mm ² -0.75mm ²) WITH INS.Ø1.4-Ø1.9 | TIN PLATE | 5-1418760-1 |
| MCP 2.8x0.8 TAB CONTACT (0.2mm ² -0.5mm ²) WITH INS.Ø1.3-Ø1.6 | TIN PLATE | 1-963860-1 |
| MCP 2.8x0.8 TAB CONTACT (0.5mm ² -1.0mm ²) WITH INS.Ø1.4-Ø2.1 | TIN PLATE | 1-962841-1 |
| MCP 2.8x0.8 TAB CONTACT (>1.0mm ² -2.5mm ²) WITH INS.Ø2.1-Ø2.9 | TIN PLATE | 1-962842-1 |

| | | |
|--|-------|-------------------------------|
| THIS DRAWING IS A CONTROLLED DOCUMENT. | | DWN G.PUCKEL 27AUG2007 |
| DIMENSIONS: mm | | CHK K.ROTH 27AUG2007 |
| TOLERANCES UNLESS OTHERWISE SPECIFIED: | | APVD G.PUCKEL 27AUG2007 |
| 0 PLC | ±0.50 | PRODUCT SPEC |
| 1 PLC | ±0.50 | |
| 2 PLC | ±0.50 | APPLICATION SPEC |
| 3 PLC | ± | |
| 4 PLC | ± | |
| ANGLES | ±2° | |
| MATERIAL | | WEIGHT |
| | | CUSTOMER DRAWING |

TE TE Connectivity

NAME: 10POS MIXED TAB HOUSING
 8 x MCON1.2 AND 2 x MCP2.8

SIZE: A2 CAGE CODE: 00779 DRAWING NO: C=1563125 RESTRICTED TO: B5

SCALE: 5:1 SHEET: 1 OF 1

X-ON Electronics

Largest Supplier of Electrical and Electronic Components

Click to view similar products for [Automotive Connectors](#) category:

Click to view products by [TE Connectivity](#) manufacturer:

Other Similar products are found below :

[003-018-000](#) [60403001](#) [60993906-B](#) [M902-2131](#) [M902-2161](#) [72.330.1035.1](#) [73.353.4028.0](#) [F119300-B](#) [F166900](#) [F258300-B](#) [F358300-B](#)
[F407400](#) [F444110](#) [F487000](#) [F509500B-B](#) [827153-1](#) [8N1515-32-24P](#) [9-1326729-8](#) [925474-1](#) [928905-1](#) [964562-4](#) [968782-1](#) [GT17SA-8DS-](#)
[HU](#) [98891-1012](#) [98947-1016](#) [12004147](#) [12004475-L](#) [12010290](#) [12010309-B](#) [12015454](#) [12020219-B](#) [12020308](#) [12041318-B](#) [12052225-L](#)
[12052466](#) [12059125](#) [12064869](#) [12004327-B](#) [12010503-B](#) [12015308](#) [12015384](#) [12015909](#) [1-21030-1](#) [12041254](#) [12041318](#) [12047946-B](#)
[12047957](#) [12047957-L](#) [12059473](#) [12066261](#)