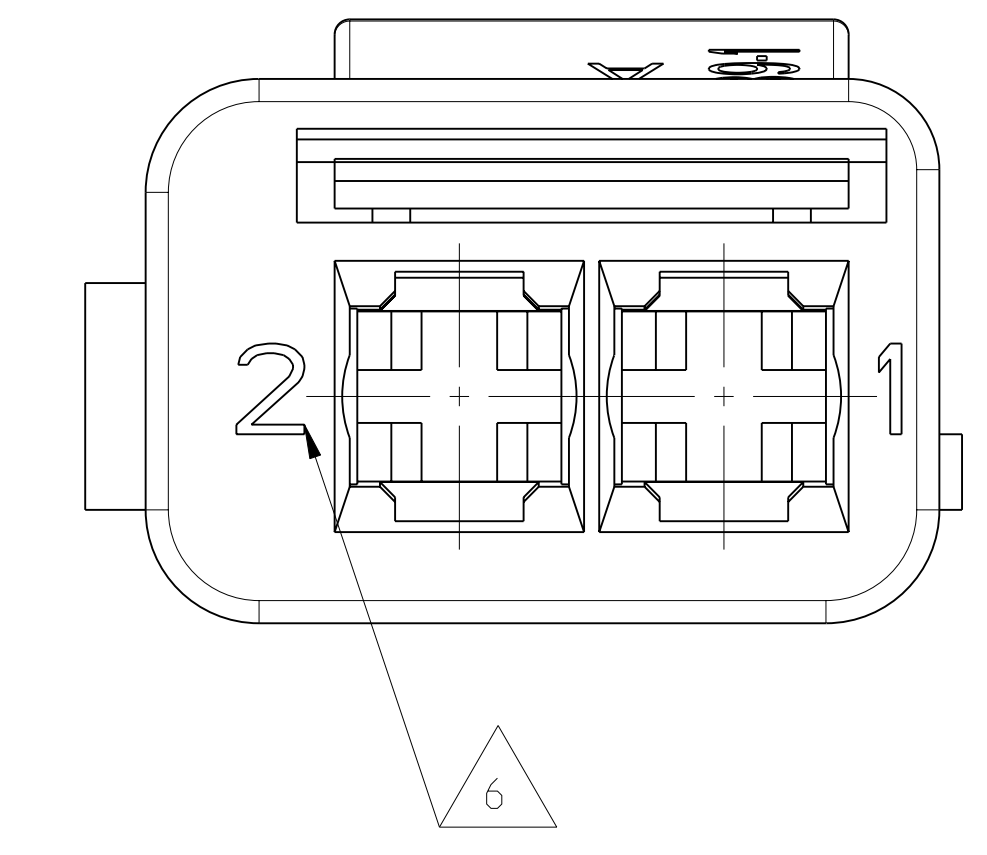
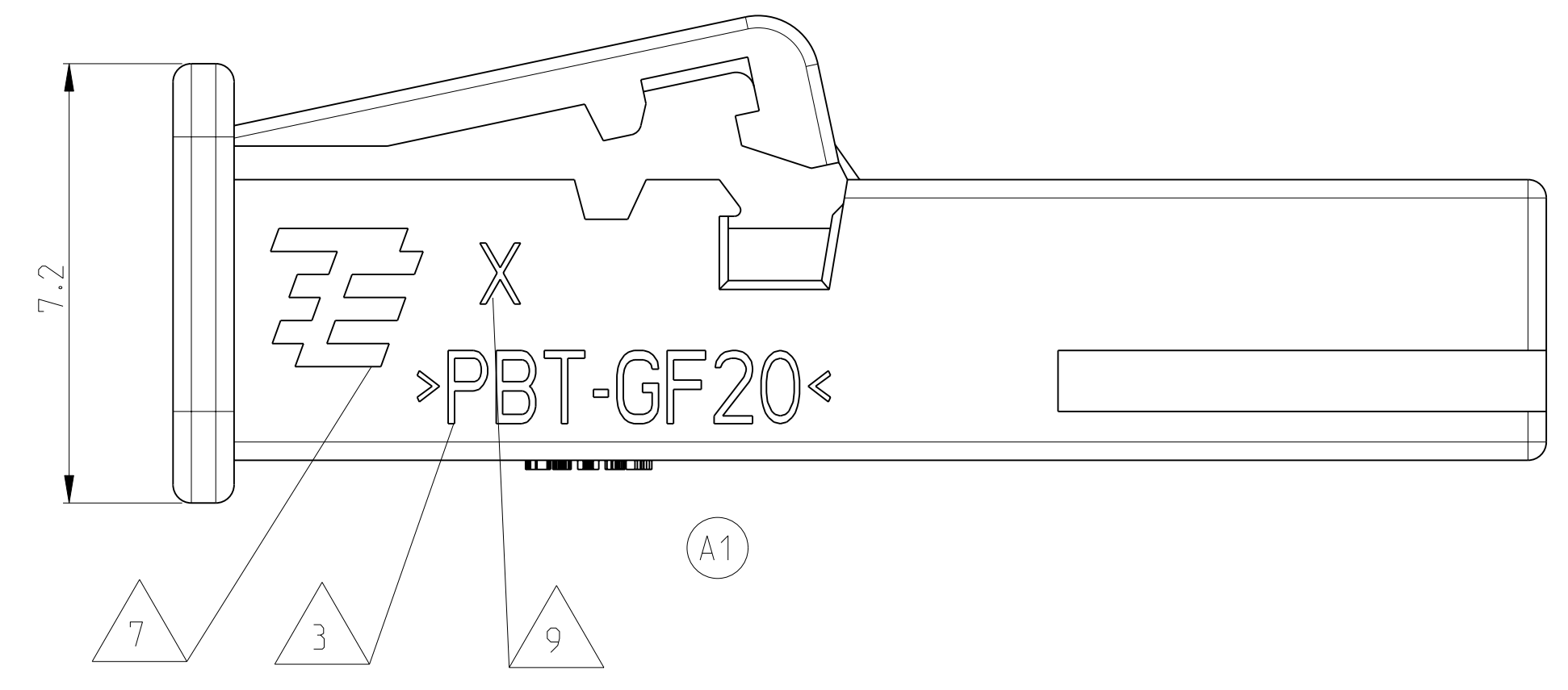
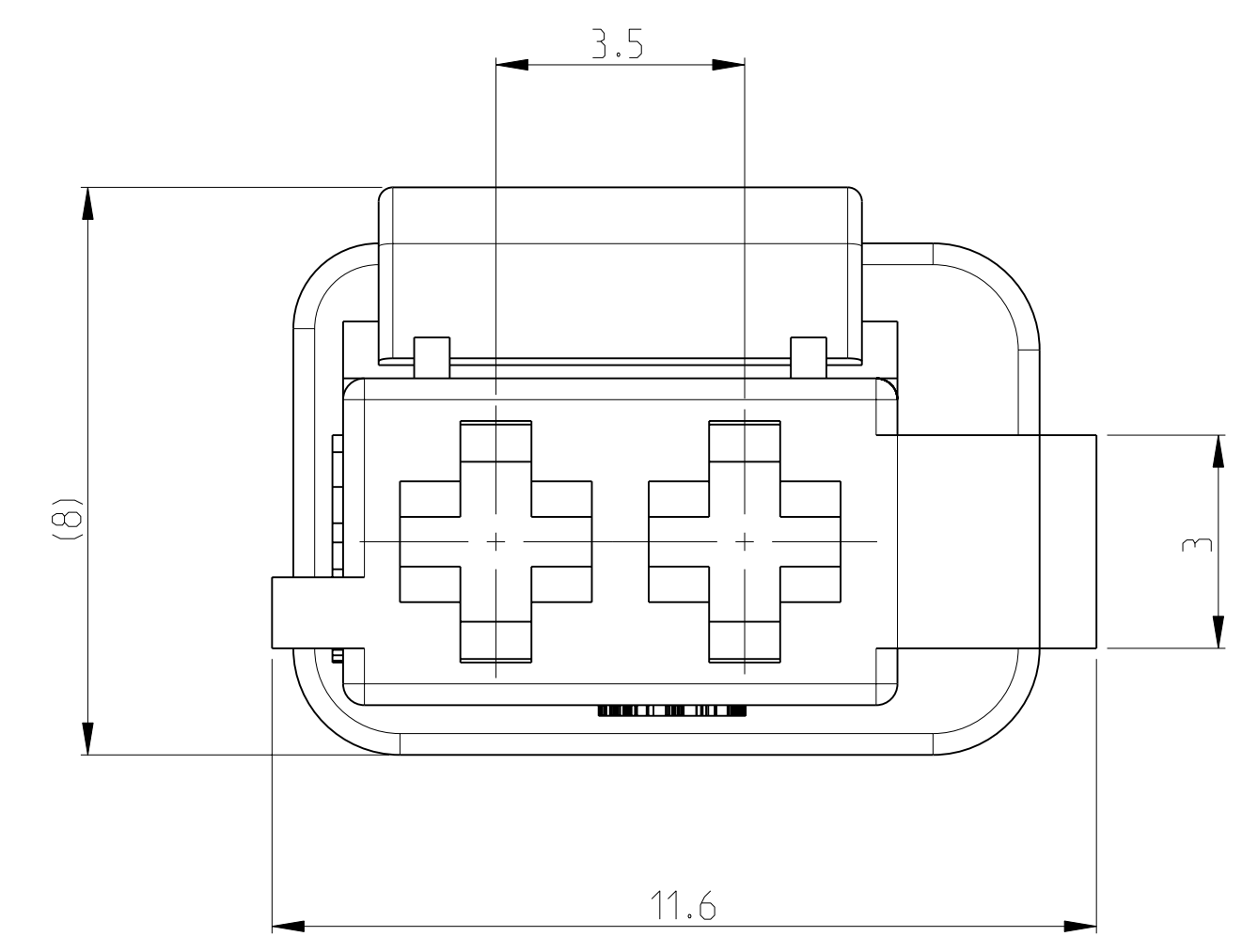
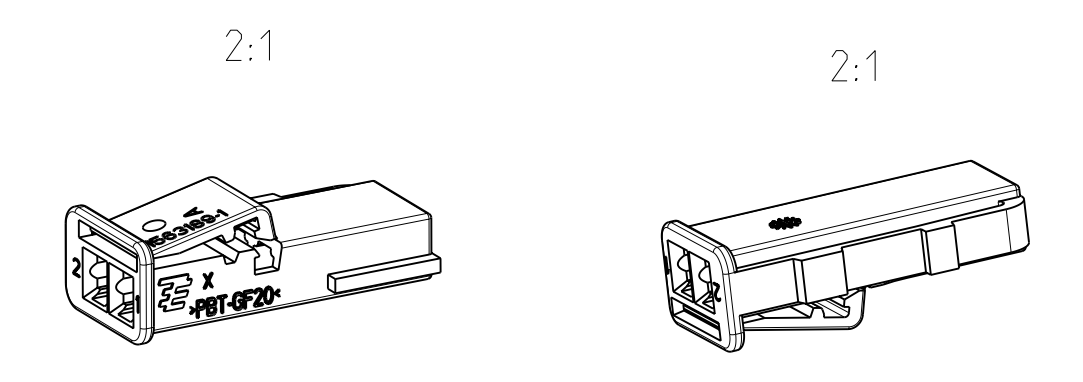
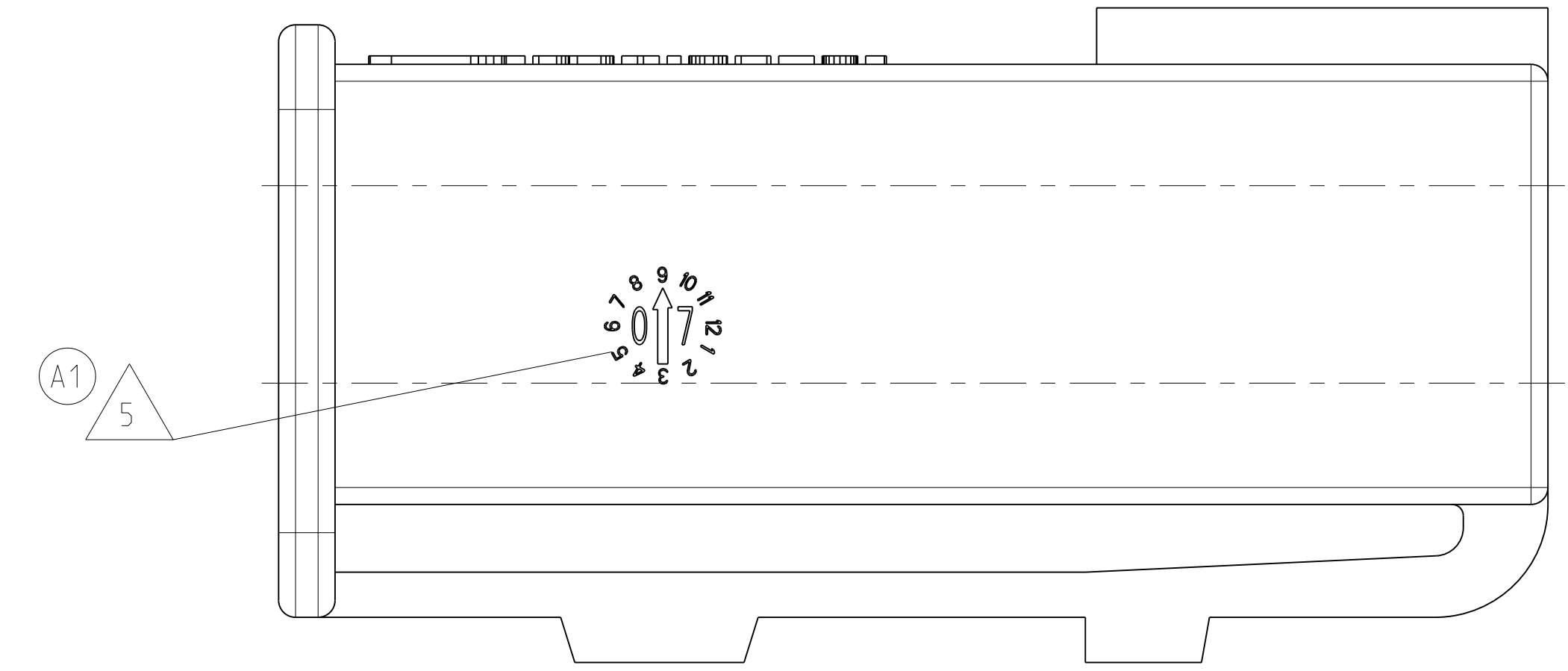
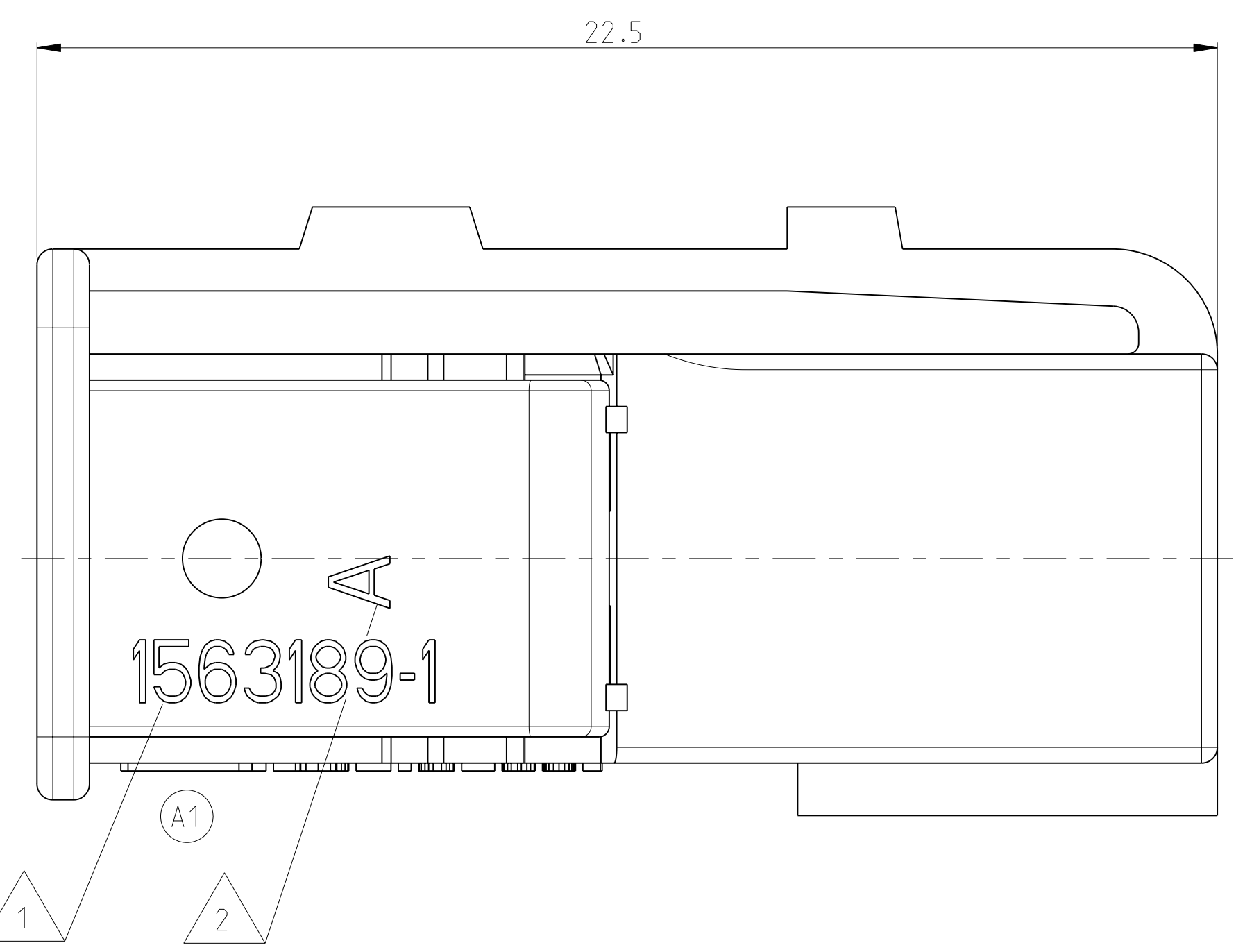
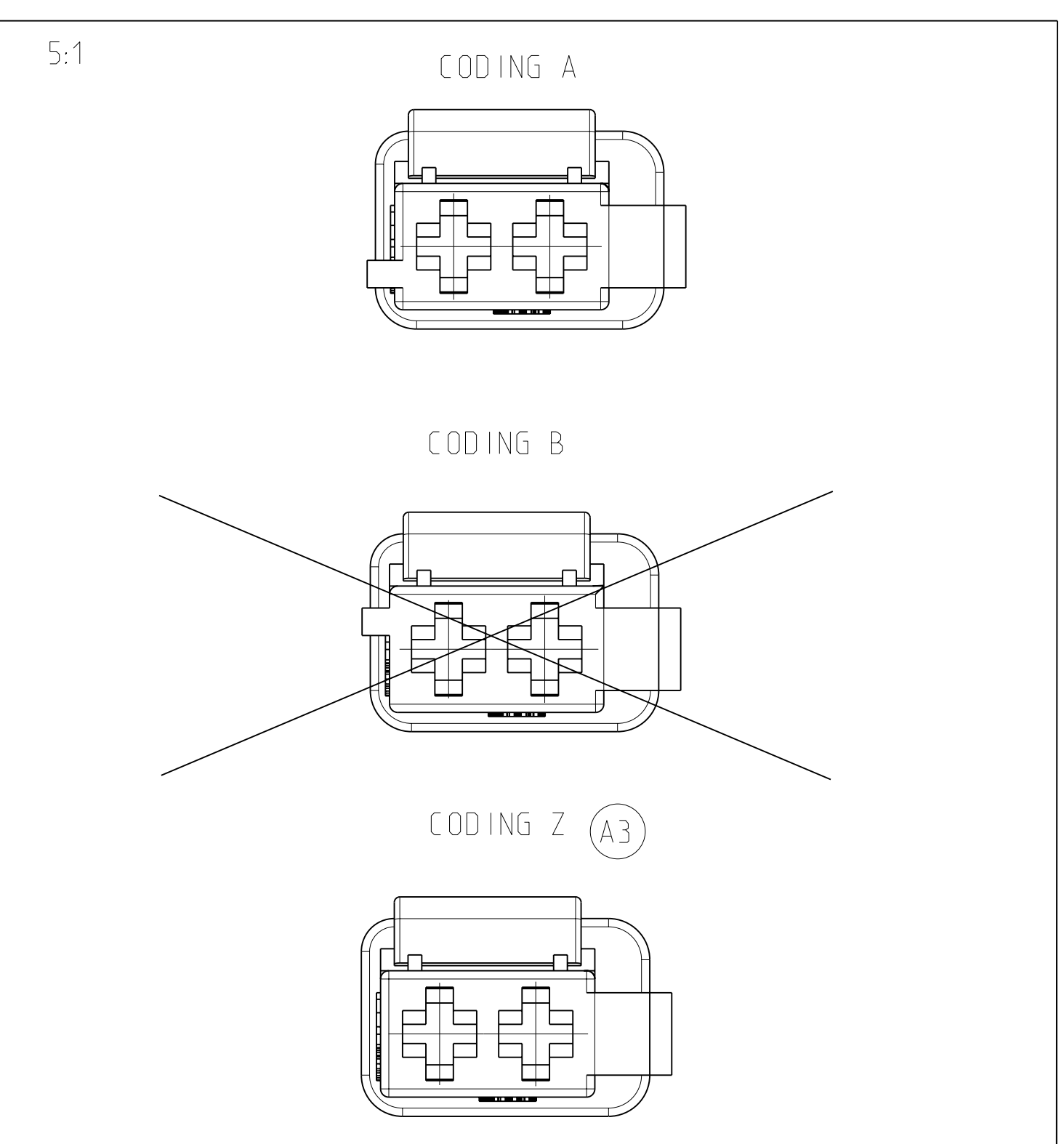


REV. NO.	DESCRIPTION	DATE	BY	APP'D
A1	SEE E-08-012925	27MAY2008	CA	VB
A2	SEE E-08-016252	27JUN2008	CA	VB
A3	SEE E-08-018637	24JUL2008	CA	VB
A4	SEE E-10-019775	23SEP2010	SK	AK



- NOTES
BEMERKUNGEN
- NV NOTE NOT VALID
Bemerkung nicht verwendet
 - 1 ORDER NUMBER
BESTELL-NUMMER
 - 2 REVISION NUMBER
WERKZEUGÄNDERUNGSINDEX
 - 3 MATERIAL MARKING
WERKSTOFFKENNZEICHNUNG
 - NV GM LOGO
GM Logo
 - 5 PRODUCTION DATE
PRODUKTIONSdatum
 - 6 CONTACT CAVITY NUMBER
KONTAKTKAMMERNUMMER
 - 7 TE LOGO
TE Logo
 - 8 PACKAGING: BULK MATERIAL IN CARDBOARD BOX
VERPACKUNG: SCHÜTTGUT IN KARTON
 - 9 TOOL CAVITY MARKING
NESTMARKIERUNG



A4	114-18987	SCHNITTSTELLENZEICHNUNG Interface Drawing
	929103	2 Pos. TAB 1.6x0.6 TAB-Hsg.
	1563190	2 Pos. TAB 1.6x0.6, TAB-Hsg.
	TE BESTELL-NR. TE ORDER NO.	BENENNUNG DESCRIPTION
	COUNTERPARTS GEGENSTECKER	

GM NO	TE ORDER NO	WIRE RANGE	MATERIAL	FINISH
13106617	0-1241844-2	1.5	CuFe 2	PRETINNED
13106617	0-0964263-2	0.5-1.0	CuFe 2	PRETINNED
13106617	0-0964261-2	0.35-0.5	CuFe 2	PRETINNED
GM NO	TE ORDER NO	WIRE RANGE	MATERIAL	FINISH
		STRIP FORM	MM ²	

RECOMMENDED CONTACT SYSTEM: MICRO TIMER 2 TYPE A; UNSEALED
 FOR CABLE INSULATION TYPE FLR ACC. DIN 72551 / ISO 6722 MAX. WIRE SIZE 1.5mm²
 MAX. CABLE INSULATION CRIMP DIAMETER 2.9mm
 FOR CABLE INSULATION TYPE TXL ACC. SAE J128 MAX. WIRE SIZE 1.0mm² OR MAX AWG 18
 THE USE OF OTHER CABLE TYPES MUST BE CHECKED IN ANY INDIVIDUAL CASE!

F2-48	24414864	0-1563189-3	A	2 Pos. MT2, Rec-Hsg. CODZ	NATUR	PBT-GF20	0.9	1
-	-	0-1563189-2	A	2 Pos. MT2, Rec-Hsg. COBB	Hbd	PBT-GF20	0.9	1
GF2-50	19179871	0-1563189-1	A	2 Pos. MT2, Rec-Hsg. CODA	BLACK	PBT-GF20	0.9	1
CUSTOMER ABBR. NO	GM PART NO	PART NO	REV	DESCRIPTION	COLOR	MATERIAL	WEIGHT (g)	ITEM NO

DIMENSIONS:		TOLERANCES UNLESS OTHERWISE SPECIFIED:		DWN C.A. Anghelescu A. Kettler		29 JUN 2007 29 JUN 2007		Tyco Electronics AMP GmbH 64625 Bensheim (Germany)	
mm	9 PLC ±0.5 1 PLC ±0.5 2 PLC ±0.5 4 PLC ±0.5	mm	±0.1	NAME		2 Pos. MT2, Rec. Hsg.		RESTRICTED TO	
MATERIAL		FINISH		PRODUCT SPEC		APPLICATION SPEC		SCALE	
-		-		108-94118		114-18901		5:1	
-		-		114-18901		A 00779		SHEET 1 OF 1	
-		-		CUSTOMER DRAWING		C=1563189		REV A4	

X-ON Electronics

Largest Supplier of Electrical and Electronic Components

Click to view similar products for [Automotive Connectors](#) category:

Click to view products by [TE Connectivity](#) manufacturer:

Other Similar products are found below :

[003-018-000](#) [60403001](#) [60993906-B](#) [M902-2131](#) [M902-2161](#) [M902-2344](#) [72.330.1035.1](#) [73.353.4028.0](#) [F119300-B](#) [F166900](#) [F258300-B](#)
[F358300-B](#) [F407400](#) [F444110](#) [F487000](#) [F509500B-B](#) [827153-1](#) [8N1515-32-24P](#) [9-1326729-8](#) [925474-1](#) [928905-1](#) [964562-4](#) [968782-1](#)
[GT17SA-8DS-HU](#) [98891-1012](#) [98947-1016](#) [12004147](#) [12004475-L](#) [12010290](#) [12010309-B](#) [12015454](#) [12020219-B](#) [12041318-B](#) [12052225-](#)
[L](#) [12052466](#) [12064869](#) [12004327-B](#) [12015308](#) [12015384](#) [12015909](#) [1-21030-1](#) [12041254](#) [12041318](#) [12047946-B](#) [12047957](#) [12047957-L](#)
[12059473](#) [12066261](#) [12110546](#) [12110546-B](#)