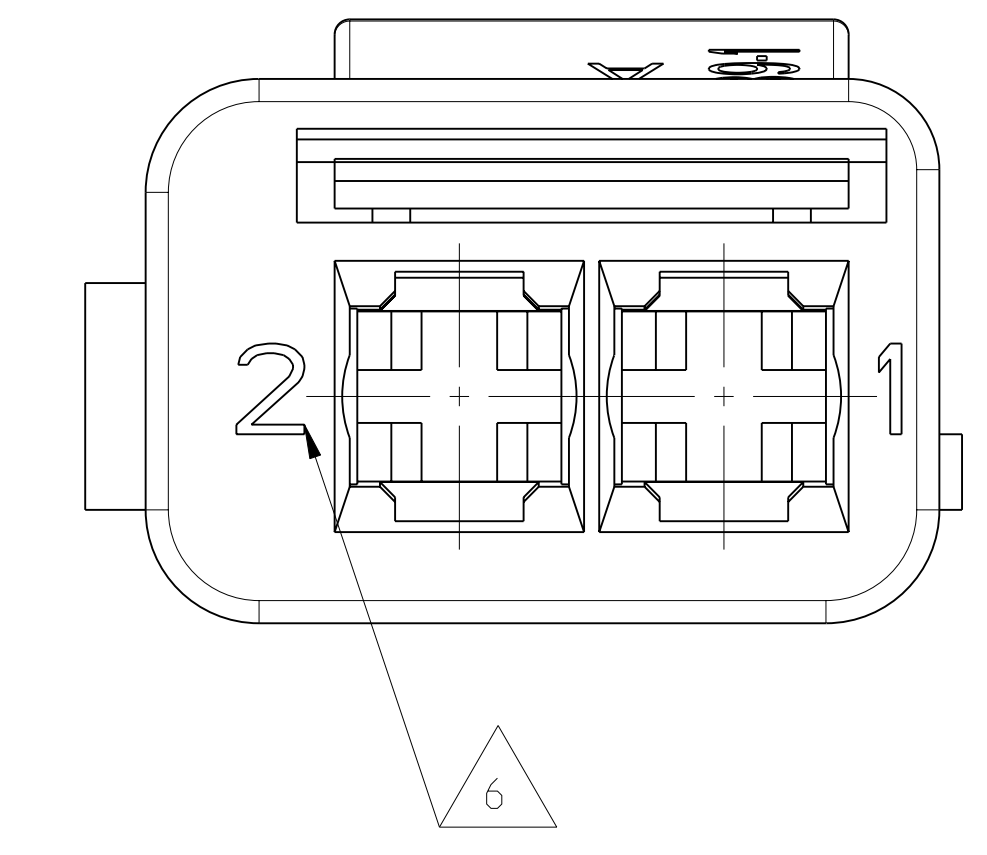
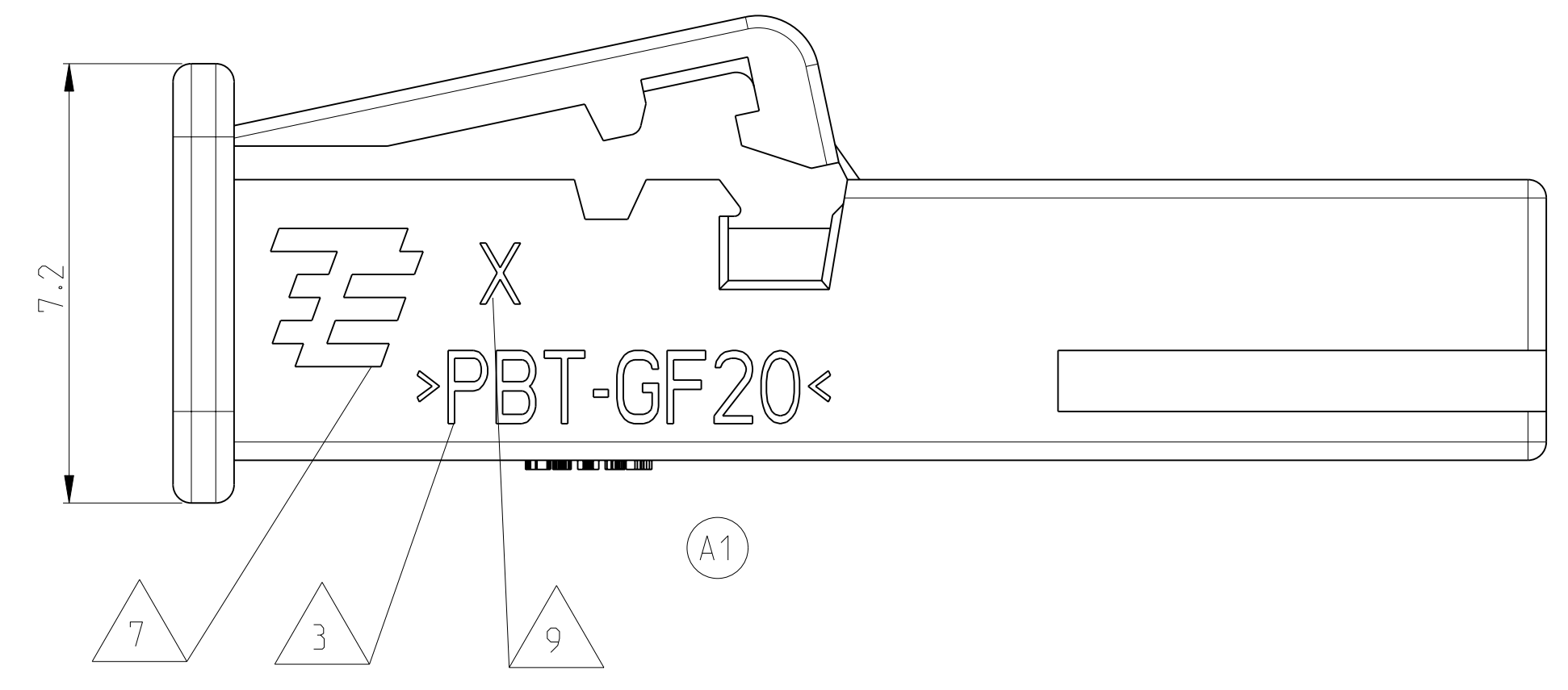
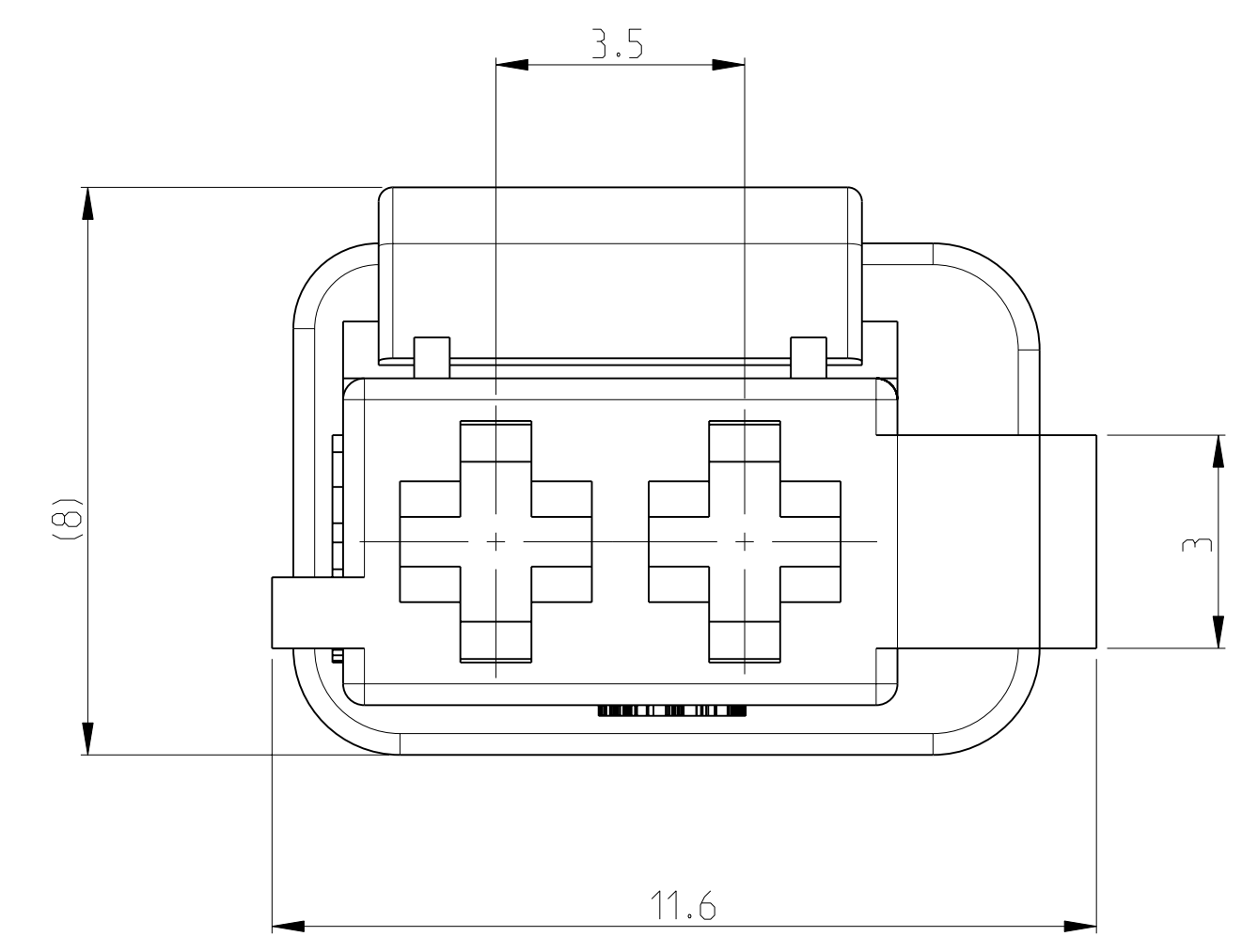
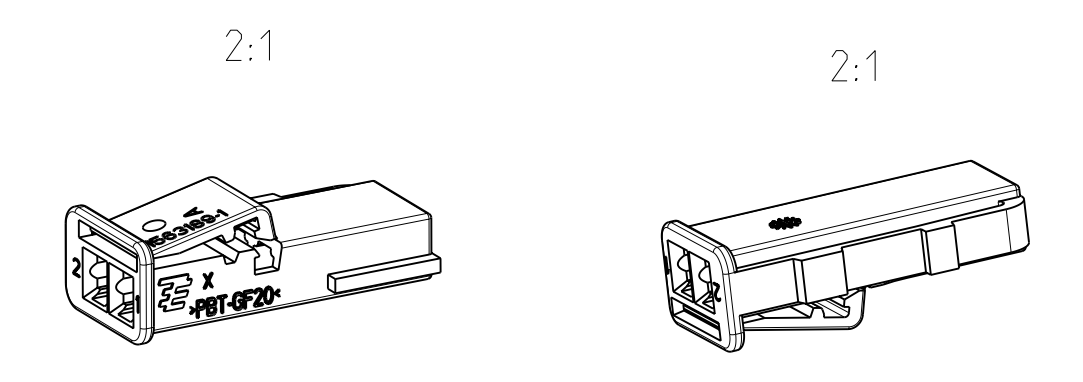
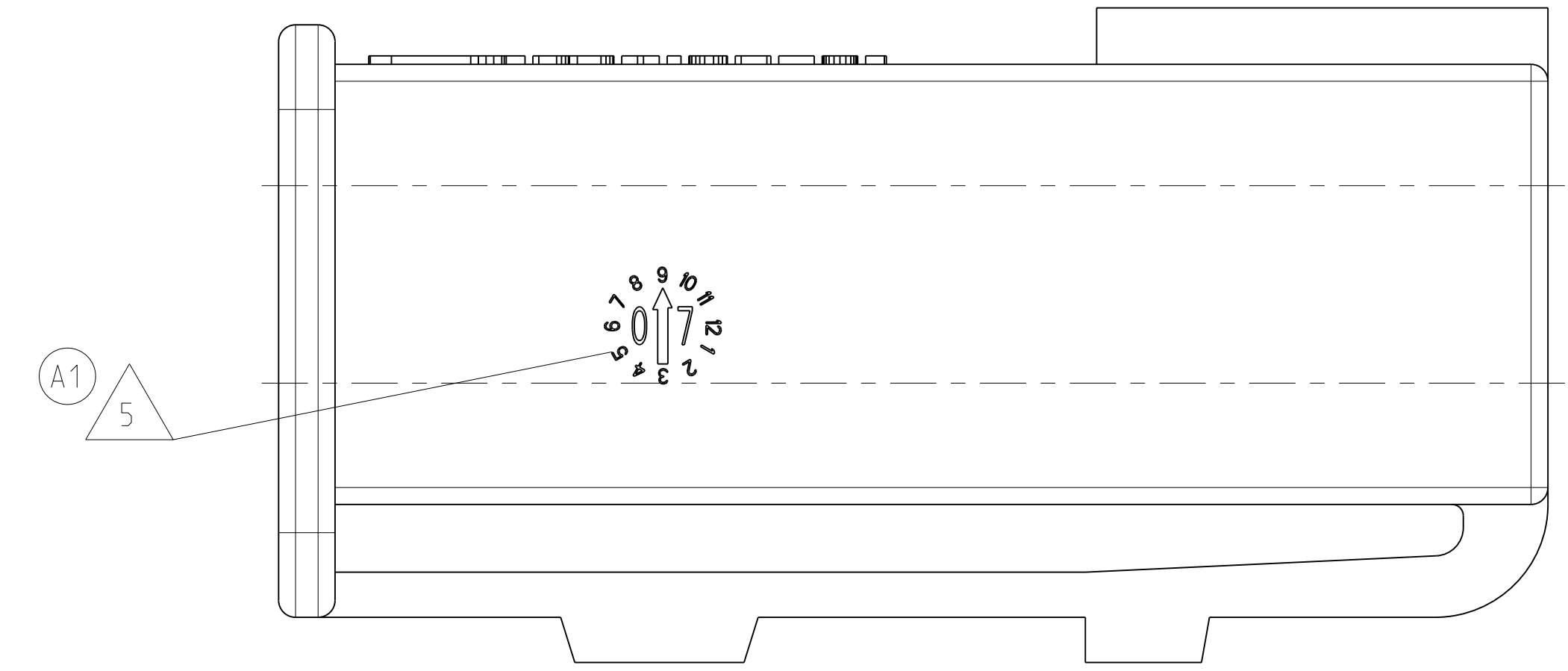
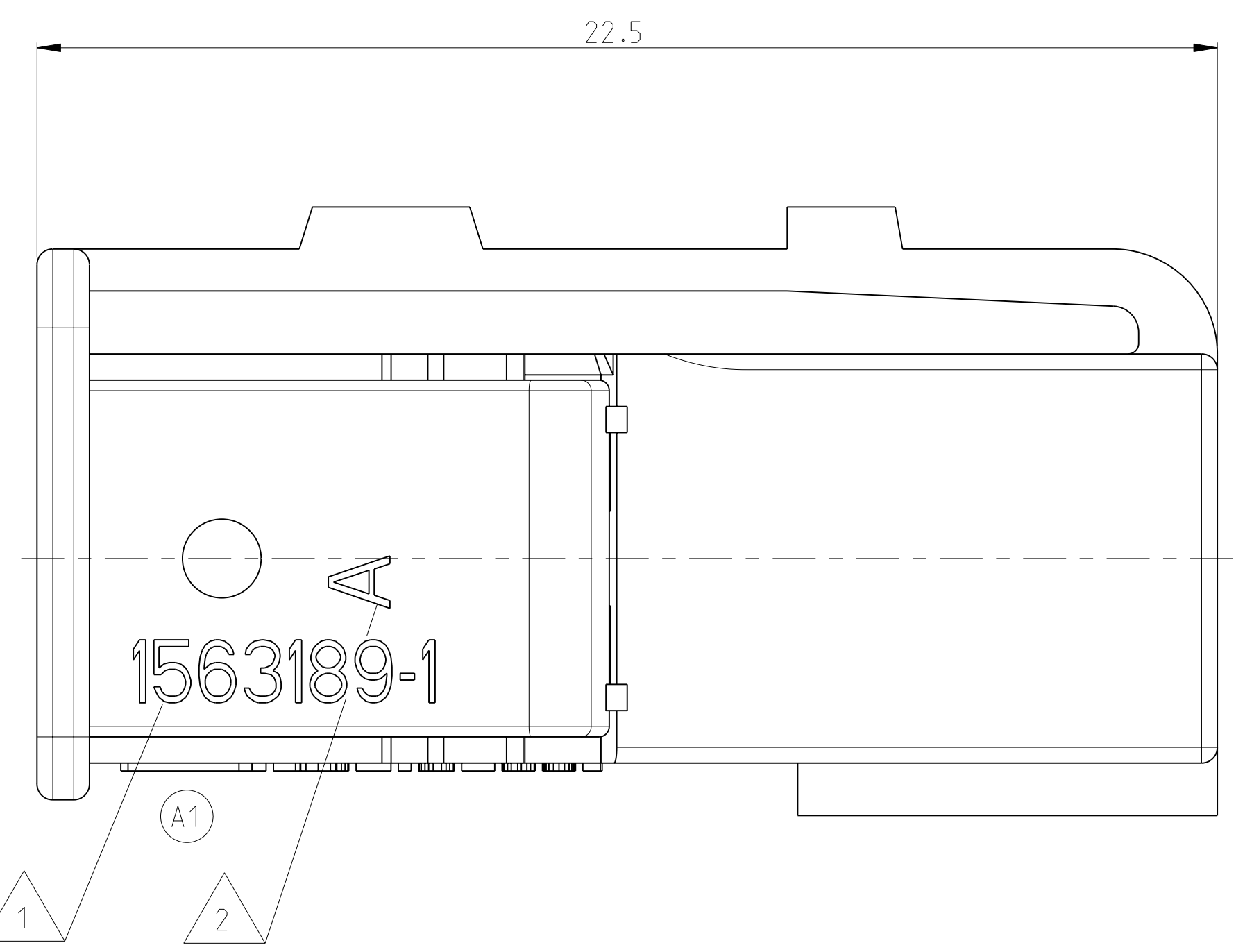
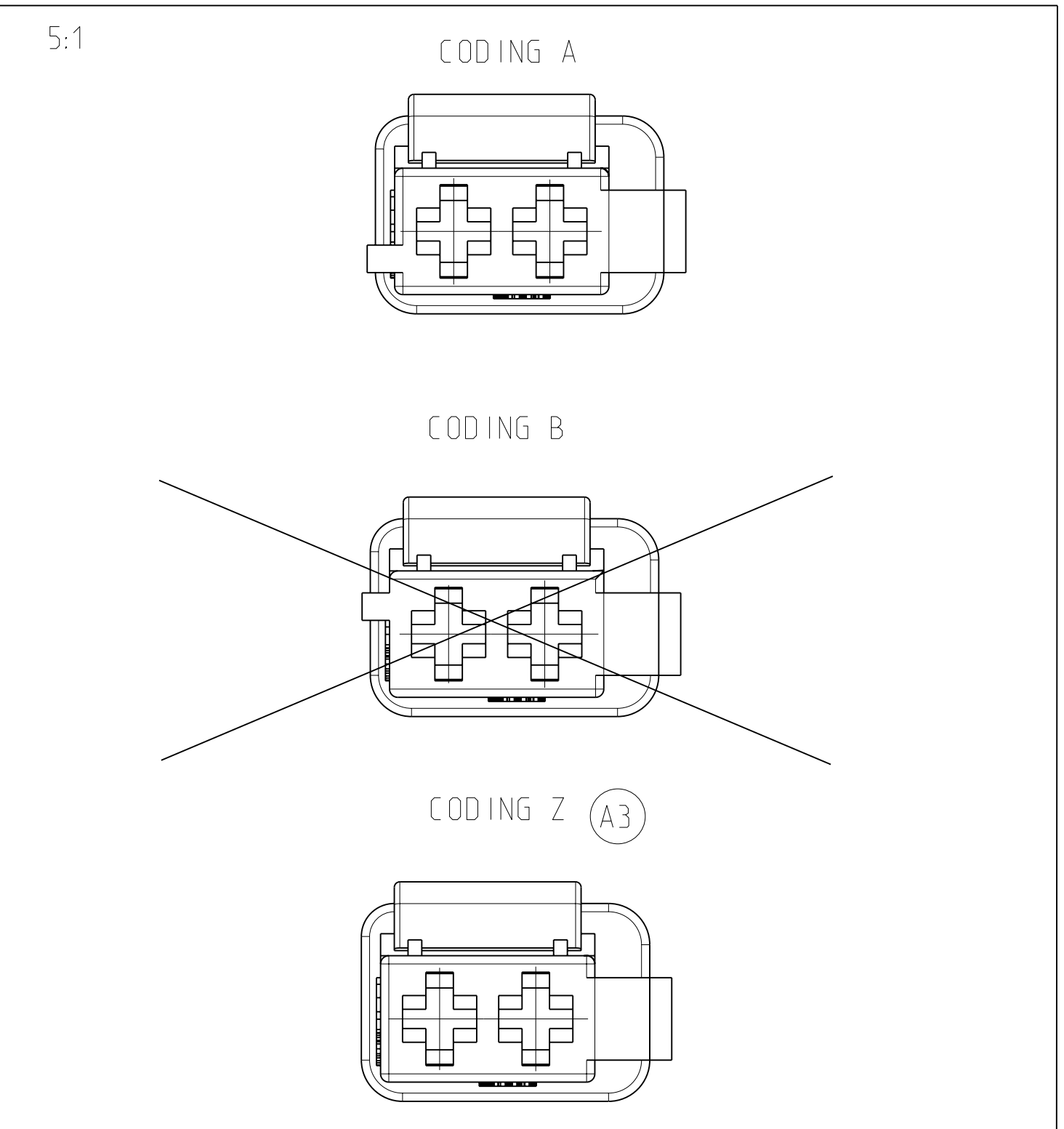


PROJECT NO.	LOC	DIST	REVISIONS			
EGATN07138	A1	-	REV	DATE	BY	APPV
			A1	27MAY2008	CA	VB
			A2	27JUN2008	CA	VB
			A3	24JUL2008	CA	VB
			A4	23SEP2010	SK	AK



- NOTES
BEMERKUNGEN
- NV NOTE NOT VALID
Bemerkung nicht verwendet
 - 1 ORDER NUMBER
BESTELL-NUMMER
 - 2 REVISION NUMBER
WERKZEUGÄNDERUNGSINDEX
 - 3 MATERIAL MARKING
WERKSTOFFKENNZEICHNUNG
 - NV GM LOGO
GM Logo
 - 5 PRODUCTION DATE
PRODUKTIONS DATUM
 - 6 CONTACT CAVITY NUMBER
KONTAKTKAMMERNUMMER
 - 7 TE LOGO
TE Logo
 - 8 PACKAGING: BULK MATERIAL IN CARDBOARD BOX
VERPACKUNG: SCHÜTTGUT IN KARTON
 - 9 TOOL CAVITY MARKING
NESTMARKIERUNG



A4	114-18987	SCHNITTSTELLENZEICHNUNG Interface Drawing
	929103	2 Pos. TAB 1.6x0.6 TAB-Hsg.
	1563190	2 Pos. TAB 1.6x0.6, TAB-Hsg.
	TE BESTELL-NR. TE ORDER NO.	BENENNUNG DESCRIPTION
	COUNTERPARTS GEGENSTECKER	

13106617	0-1241844-2	1.5	CuFe 2	PRETINNED
13106617	0-0964263-2	0.5-1.0	CuFe 2	PRETINNED
13106617	0-0964261-2	0.35-0.5	CuFe 2	PRETINNED
GM NO	TE ORDER NO STRIP FORM	WIRE RANGE MM ²	MATERIAL	FINISH

RECOMMENDED CONTACT SYSTEM: MICRO TIMER 2 TYPE A; UNSEALED
 FOR CABLE INSULATION TYPE FLR ACC. DIN 72551 / ISO 6722 MAX. WIRE SIZE 1.5mm²
 MAX. CABLE INSULATION CRIMP DIAMETER 2.9mm
 FOR CABLE INSULATION TYPE TXL ACC. SAE J128 MAX. WIRE SIZE 1.0mm² OR MAX AWG 18
 THE USE OF OTHER CABLE TYPES MUST BE CHECKED IN ANY INDIVIDUAL CASE!

A3	F2-48	24414864	0-1563189-3	A	2 Pos. MT2, Rec-Hsg. CODZ	NATUR	PBT-GF20	0.9	1
	-	-	0-1563189-2	A	2 Pos. MT2, Rec-Hsg. CODB	Hbd	PBT-GF20	0.9	1
	GF2-50	19179871	0-1563189-1	A	2 Pos. MT2, Rec-Hsg. CODA	BLACK	PBT-GF20	0.9	1
	CUSTOMER ABBR. NO	GM PART NO	PART NO	REV	DESCRIPTION	COLOR	MATERIAL	WEIGHT (g)	ITEM NO

DIMENSIONS:		TOLERANCES UNLESS OTHERWISE SPECIFIED:		DWN C.A. Anghelescu A. Kettler		29 JUN 2007 29 JUN 2007		Tyco Electronics AMP GmbH 64625 Bensheim (Germany)	
mm	9 PLC ±0.5 1 PLC ±0.5 2 PLC ±0.5 4 PLC ±0.5	±0.5 ±0.5 ±0.5 ±0.5	±0.5 ±0.5 ±0.5 ±0.5	NAME		2 Pos. MT2, Rec. Hsg.		RESTRICTED TO	
MATERIAL	FINISH	APPLIC. SPEC		SIZE		CAGE CODE		DRAWING NO	
-	-	114-18901		A1		00779		C=1563189	
CUSTOMER DRAWING				SCALE		SHEET		REV	
				5:1		1 OF 1		A4	

X-ON Electronics

Largest Supplier of Electrical and Electronic Components

Click to view similar products for [Automotive Connectors](#) category:

Click to view products by [TE Connectivity](#) manufacturer:

Other Similar products are found below :

[TE Connectivity](#)