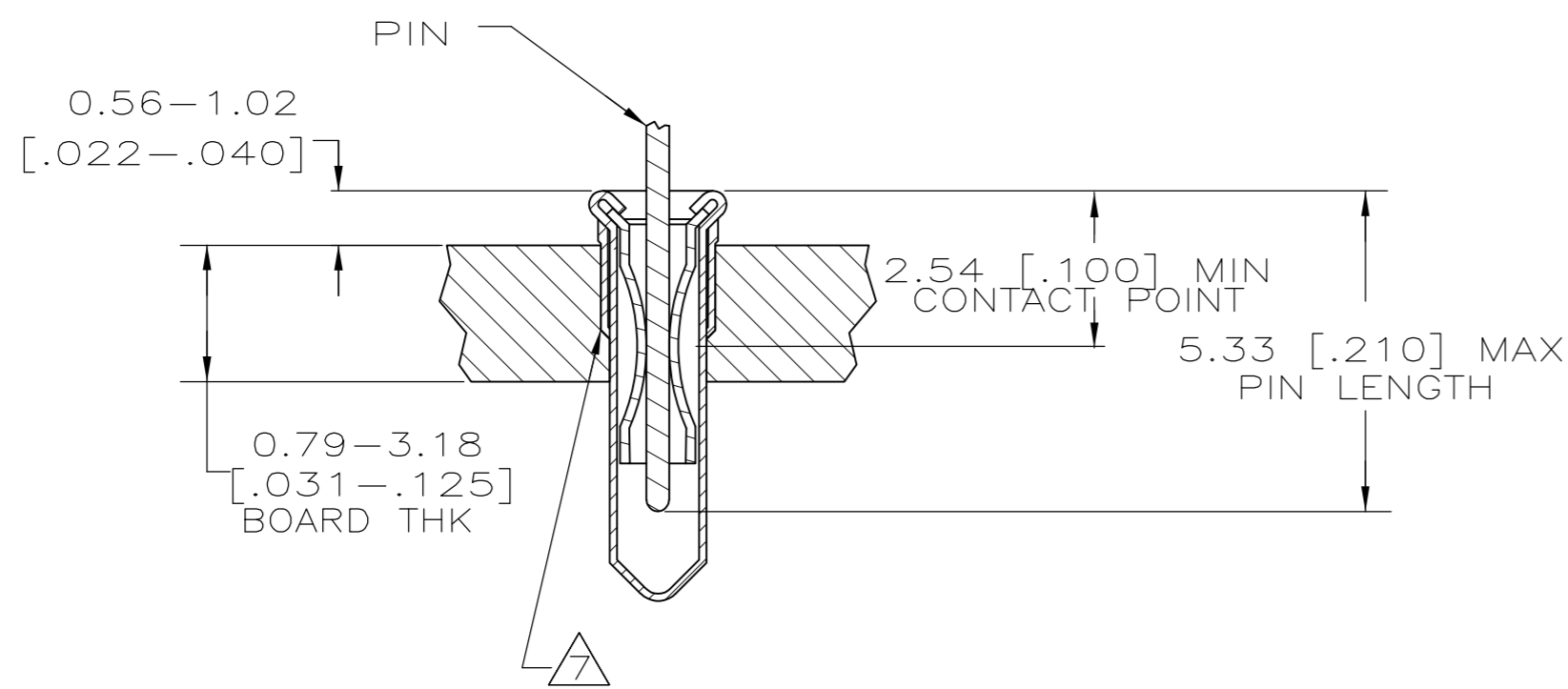
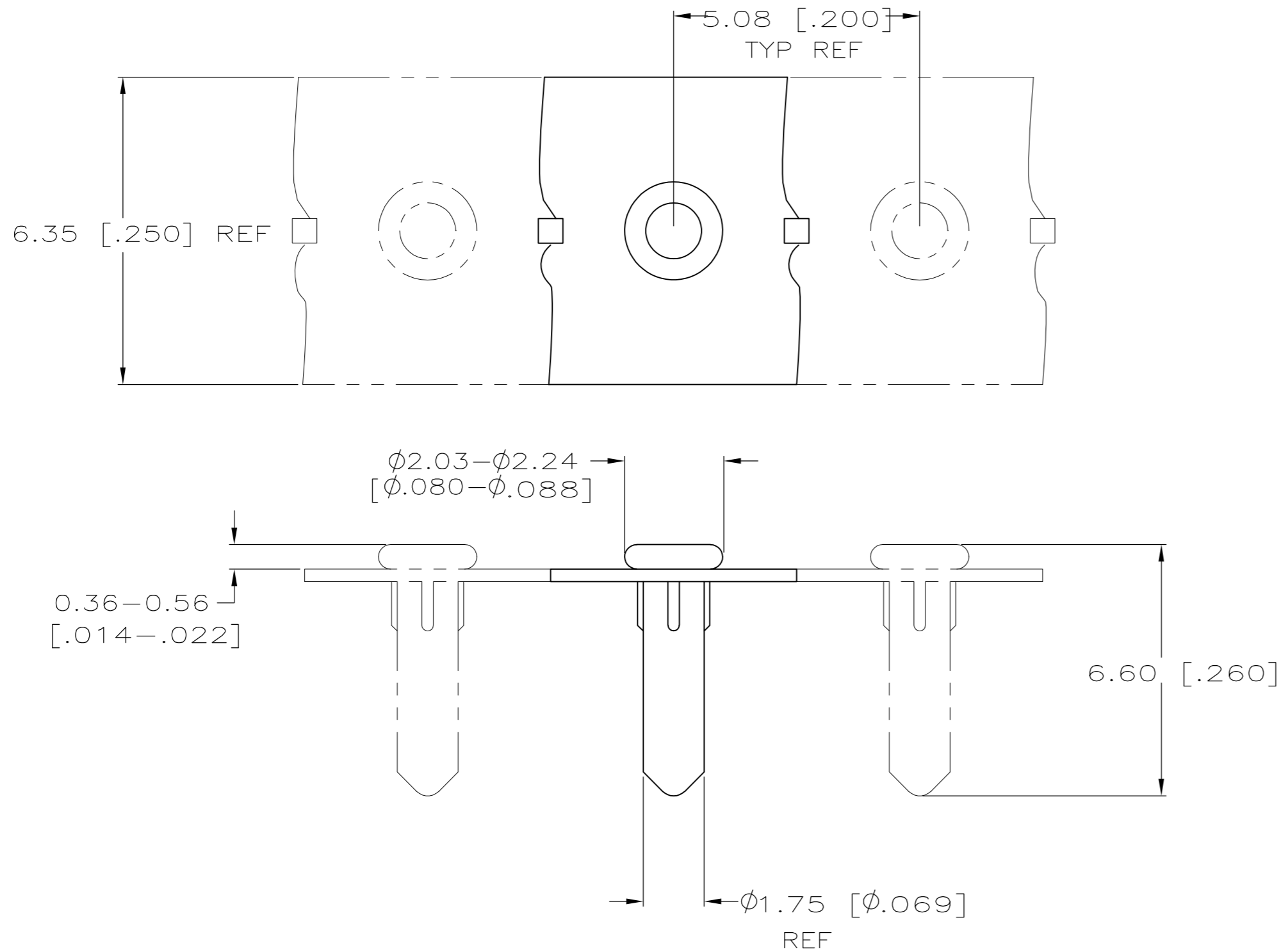


THIS DRAWING IS UNPUBLISHED. RELEASED FOR PUBLICATION  
 © COPYRIGHT - By - ALL RIGHTS RESERVED.

LOC		DIST		REVISIONS			
P	LTR	DESCRIPTION		DATE	DWN	APVD	
AG	53	B1	REV PER ECO-14-003120	07MAR2014	AP	AS	



- 1 MATERIAL:  
EYELET- COPPER PER ASTM B 152.  
SPRING- BERYLLIUM-COPPER PER ASTM B 194.
- 2 TIN PLATE PER ASTM B 545, 0.00254 [.000100]  
MINIMUM THICKNESS.
- 3 NICKEL UNDERPLATE ALL OVER, MATING SURFACE PLATED  
TO MEET PERFORMANCE REQUIREMENTS OF TYCO PRODUCT  
SPECIFICATION 108-14008.
- 4 PACKAGE 50,000 PER REEL.
- 5 PACKAGE 10,000 PER REEL.
- 6 TO ENSURE 1/2 OZ MIN RETENTION, DO NOT  
NOT EXCEED 0.50 [.002] DIFFERENCE IN PIN DIA  
WHEN CHANGING TO A SMALLER DIA PIN.
- 7 SHOULDER ON SOCKET PROVIDES RETENTION IN THE  
P.C. BOARD. THE RECOMMENDED HOLE DIAMETER IS  
φ1.75 [φ.069] MINIMUM, + 0.08 [.003] MAXIMUM  
PRIOR TO SOLDERING.

5	φ0.94-φ1.04 [φ.037-φ.041]	TIN 2	TIN 2	1-5645502-2
5	φ0.94-φ1.04 [φ.037-φ.041]	GOLD 3	TIN 2	1-5645502-1
4	φ0.94-φ1.04 [φ.037-φ.041]	GOLD 3	TIN 2	5645502-1
PACKAGING	PIN DIA 6	SPRING EYELET FINISH		PART NO

THIS DRAWING IS A CONTROLLED DOCUMENT.		DWN	J. POLIGNONE	26JAN06	 TE Connectivity MINIATURE SPRING SOCKET ASSY SERIES 4				
DIMENSIONS:		CHK	J. HAVENER	26JAN06					
mm [INCHES]		APVD	J. HAVENER	26JAN06					
TOLERANCES UNLESS OTHERWISE SPECIFIED:		PRODUCT SPEC	108-14008	APPLICATION SPEC					
0 PLC	± -	114-26004	SIZE	A2	CAGE CODE	00779	DRAWING NO	C=5645502	RESTRICTED TO
1 PLC	± -	WEIGHT	-	SCALE	10:1	SHEET	1 OF 1	REV	B1
2 PLC	± -	CUSTOMER DRAWING							
3 PLC	± 0.20[.008]								
4 PLC	± -								
ANGLES	± -								
FINISH	SEE TABLE								

## X-ON Electronics

Largest Supplier of Electrical and Electronic Components

*Click to view similar products for [IC & Component Sockets](#) category:*

*Click to view products by [TE Connectivity](#) manufacturer:*

Other Similar products are found below :

[714-43-102-31-012000](#) [0066-3-17-15-30-14-02-0](#) [0134-0-15-15-32-27-04-0](#) [614-DG5](#) [6527-0-00-15-00-00-03-0](#) [670](#) [672](#) [673](#) [712-93-120-41-001000](#) [714-93-104-31-018000](#) [8059-4G1-LF](#) [807-22-001-10-001101](#) [807-22-001-10-003101](#) [807-22-001-10-004101](#) [807-22-001-10-006101](#) [807-22-001-30-011101](#) [807-22-001-30-012101](#) [807-22-001-30-013101](#) [807-22-001-30-014101](#) [8-1437531-4](#) [8150-6P10](#) [833-93-034-10-001000](#) [835-43-014-10-001000](#) [851-41-006-10-001000](#) [851-43-008-20-001000](#) [851-43-014-20-001000](#) [851-93-006-20-001000](#) [851-93-010-20-001000](#) [852-10-026-10-001000](#) [853-43-020-10-001000](#) [86.010.0053.0](#) [116-43-306-41-003000](#) [116-43-308-41-007000](#) [116-87-308-41-007101](#) [PX-68LCC](#) [PX-84LCC](#) [121-13-318-41-001000](#) [121-13-320-41-001000](#) [121-13-308-41-001000](#) [123-43-314-41-801000](#) [123-43-420-41-001000](#) [123-43-636-41-001000](#) [123-87-320-41-001101](#) [122-13-316-41-001000](#) [123-13-624-41-001000](#) [123-43-306-41-001000](#) [123-43-322-41-801000](#) [123-43-428-41-001000](#) [123-43-624-41-001000](#) [12-3513-11](#)