

THIS DRAWING IS UNPUBLISHED.

RELEASED FOR PUBLICATION

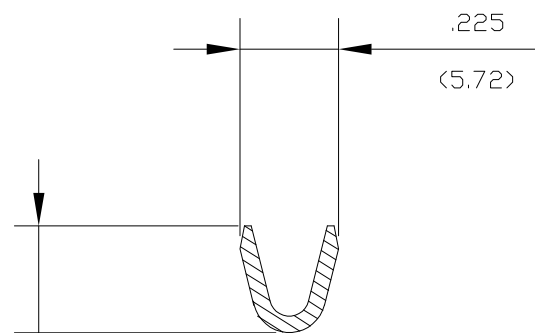
ALL RIGHTS RESERVED.

© COPYRIGHT - By -

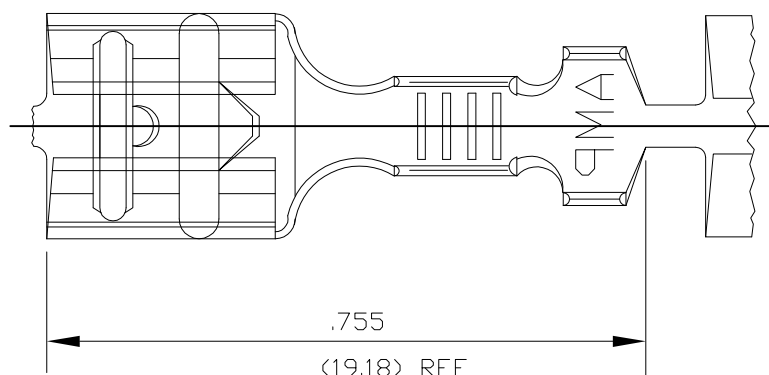
LOC AF DIST 50

REVISIONS

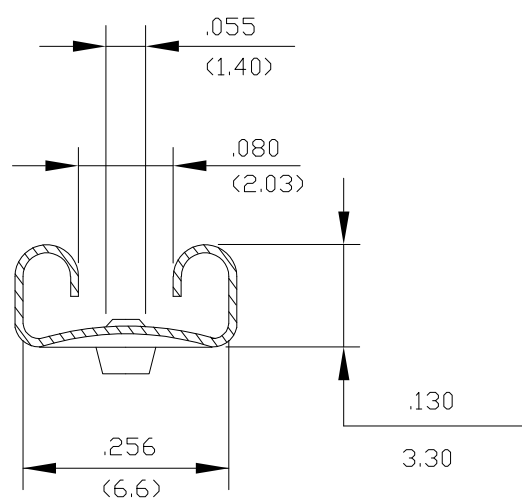
P	LTR	DESCRIPTION	DATE	DWN	APVD
	H2	REV PER ECO 12-008602	07MAY12	JR	PD



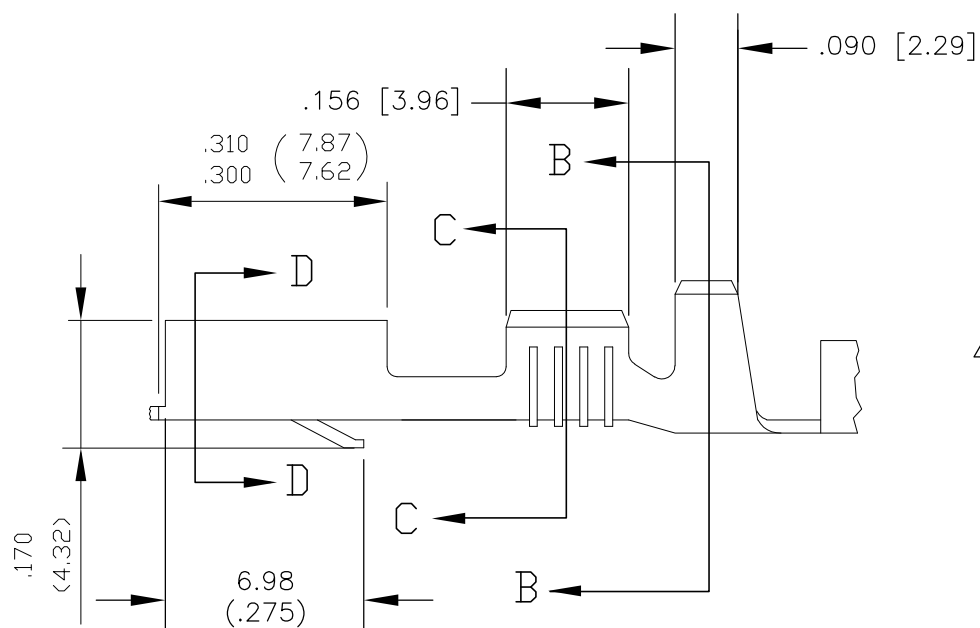
SECTION C - C



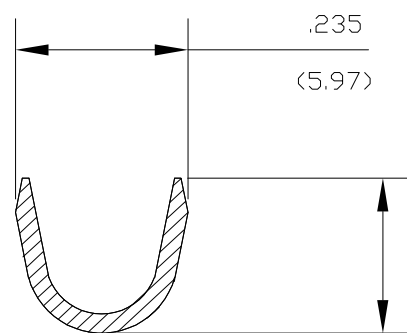
.225 (5.72) REF



SECTION D - D




1. ALL DIMENSIONS ARE IN INCHES (mm).
2. GENERAL TOLERANCES ±.010 (±0.25).
3. OBSOLETE PARTS: OBSOLETE CIS STREAMLINING PER D.RENAUD/D.SINISI



SECTION B - B

3	OBSOLETE	TIN	PH BRZ	156503-4
3	OBSOLETE	N O N E	PH BRZ	156503-3
		TIN	BRASS	156503-2
3	OBSOLETE	N O N E	BRASS	156503-1
		FINISH	MATERIAL	AMP P/N

THIS DRAWING IS A CONTROLLED DOCUMENT.		DWN R FLAIG 19SEP02	 TE Connectivity		
DIMENSIONS: INCHES		CHK N DEIBERT 19SEP2002			
TOLERANCES UNLESS OTHERWISE SPECIFIED:		APVD N DEIBERT 19SEP2002	NAME 250 SERIES FASTIN - FASTON RECEPTACLE		
0 PLC ± -		PRODUCT SPEC	-		
1 PLC ± -		APPLICATION SPEC	-		
2 PLC ± -		WEIGHT -	SIZE A3	CAGE CODE 00779	DRAWING NO C-156503
3 PLC ± -		CUSTOMER DRAWING	RESTRICTED TO -		SCALE 1:1
4 PLC ± -			SHEET 1 OF 1		REV H2
ANGLES ± -					
MATERIAL SEE TABLE	FINISH SEE TABLE				

## X-ON Electronics

Largest Supplier of Electrical and Electronic Components

*Click to view similar products for [Terminals](#) category:*

*Click to view products by [TE Connectivity](#) manufacturer:*

Other Similar products are found below :

[HT-13-10](#) [71M-250-32-NB](#) [01-2065-1-0216](#) [00581P0075](#) [M10-10RX](#) [M10BCK](#) [60205-1](#) [604200-1](#) [60598-1-CUT-TAPE](#) [60617-1-C](#) [60873-1](#) [M14-516R/SK](#) [M14-6RSX](#) [M18-8FBX](#) [M18-8R/LX](#) [M18BCK](#) [61314-6-C](#) [61-S](#) [61-SN-A](#) [62-NBM-A](#) [63-S](#) [640179-1](#) [640917-2-CUT-TAPE](#) [6501550002](#) [66107-2-C](#) [696683-1](#) [696834-1](#) [696861-1](#) [696931-1](#) [696999-1](#) [M8-516RK](#) [M86700006](#) [MA250DMFMX-A](#) [701-2007](#) [701-2307](#) [701-7761-03](#) [70F-110-32-PB](#) [718-N-A](#) [71M-187-20-NBL](#) [71M-250-32-NBL](#) [72F-187-20-NBL](#) [72M-250-32-NBL](#) [7310](#) [73F-250-32](#) [73F-250-32-NL](#) [F14-10C](#) [F-1M](#) [751-250](#) [76650-5002](#) [76828-149](#)