

THIS DRAWING IS UNPUBLISHED.

RELEASED FOR PUBLICATION

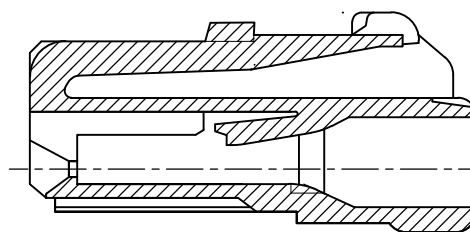
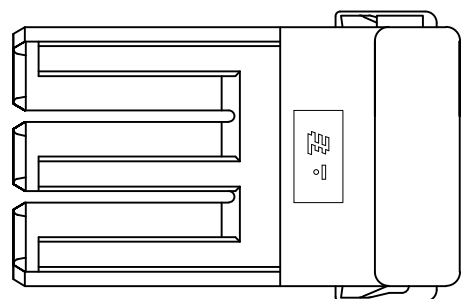
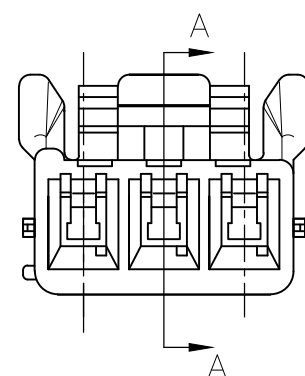
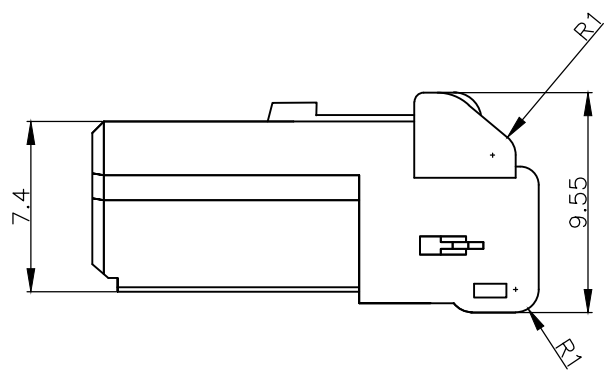
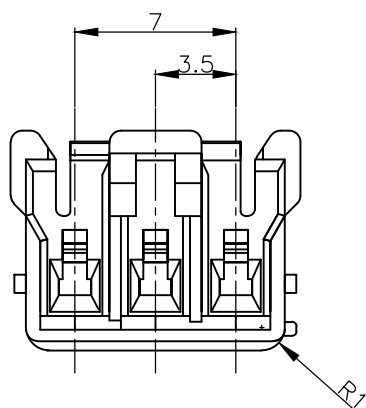
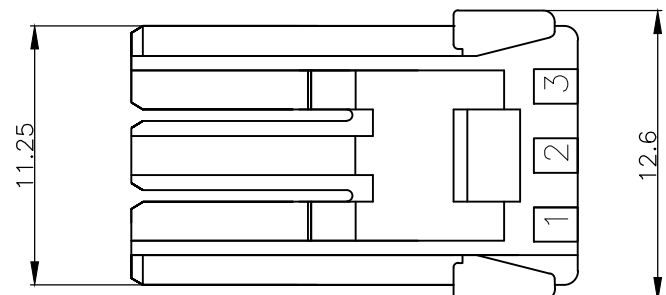
ALL RIGHTS RESERVED.

© COPYRIGHT - By -

REVISIONS

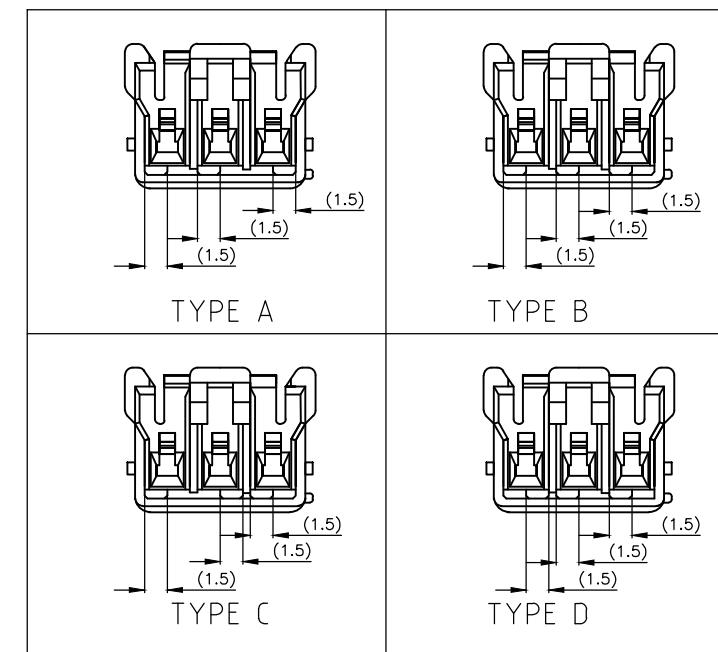
変更

P	LTR	DESCRIPTION	DATE	DWN	APVD
	A2	REVISED PER ECR-20-006615	08MAY2020	SC	D.Z



??A-A
SECT A-A

KEYING TYPE



注) 1.一般公差:±0.25

△2.材料:66ナイロン ガラス無(UL94V-0)

△3.かん合相手製品型番

キャップハウジング:TABLE参照のこと

リセコンタクト:1565079-1,1612334-1

4. 適応プレート型番:1565090-1

NOTES)

1.GENERAL TOLERANCE:±0.25

△2.MATERIAL:66 NYLON NON-GLASS FILLED (UL94V-0)

△3. MATING CONN. P/N

CAP HOUSING:SEE TABLE

REC CONTACT ;1565079-1,1612334-1

4. APPLICABLE PLATE P/N :1565090-1

1565086-5	A	GREEN	1565082-5
3-1565086-4	D	YELLOW	3-1565082-4
2-1565086-3	C	BLUE	2-1565082-3
1-1565086-2	B	RED	1-1565082-2
1565086-1	A	NATURAL	1565082-1
MATING HSG P/N	KEYING TYPE	COLOR	P/N

THIS DRAWING IS A CONTROLLED DOCUMENT.		DWN A.OISHI 30 MAY. '02	STE TE Connectivity	
DIMENSIONS: 単位: 耗 mm		CHK M.SHINDO 30 MAY. '02		
TOLERANCES UNLESS OTHERWISE SPECIFIED. 一般公差		APVD M.SHINDO 30 MAY. '02	NAME 名称 GRACE INERTIA CONNECTOR 3.5 3POS PLUG HOUSING	
0 PLC ± - 1 PLC ± - 2 PLC ± - 3 PLC ± - 4 PLC ± - ANGLES ± -		PRODUCT SPEC 製品規格 108-5810	サイズ CAGE CODE A300779	
MATERIAL 材料 SEE NOTE 2		APPLICATION SPEC 取付適用規格 114-5306	DRAWING NO 番号 C-1565082	
FINISH 仕上 -		WEIGHT	RESTRICTED TO -	
CUSTOMER DRAWING			SCALE 尺度 -	SHEET 1 OF 1
			REV A2	

X-ON Electronics

Largest Supplier of Electrical and Electronic Components

Click to view similar products for [Headers & Wire Housings](#) category:

Click to view products by [TE Connectivity](#) manufacturer:

Other Similar products are found below :

[892-18-020-10-001101](#) [58102-G61-06LF](#) [582553-1](#) [0009485154](#) [009176003701906](#) [0050291907](#) [LY20-4P-DT1-P1E-BR](#) [02.125.8002.8](#)
[609-3404](#) [61062-3](#) [61082-181009](#) [622-3653LF](#) [63453-116](#) [636-1030](#) [636-1427](#) [636-3427](#) [636-4007](#) [641938-9](#) [641991-4](#) [644827-2](#) [65817-](#)
[010LF](#) [65817-015LF](#) [65863-015LF](#) [66207-023LF](#) [67095-007LF](#) [67601157](#) [68645-018](#) [68648-049](#) [70.362.1628.0](#) [70-4210](#) [70-4226B](#) [70-](#)
[4853B](#) [707-5020](#) [707-5028](#) [71.350.2428.0](#) [71918-208LF](#) [71961-016LF](#) [733-134](#) [733-162](#) [754199-000](#) [760-3052](#) [787-8014-00](#) [79531-3000](#)
[FCN-360C032-B](#) [FCN-367T-T012/H](#) [FCN-723D010/2](#) [80.063.4001.1](#) [800-90-001-10-001000](#) [800-90-010-10-002000](#) [801-43-002-10-013000](#)