

THIS DRAWING IS UNPUBLISHED.

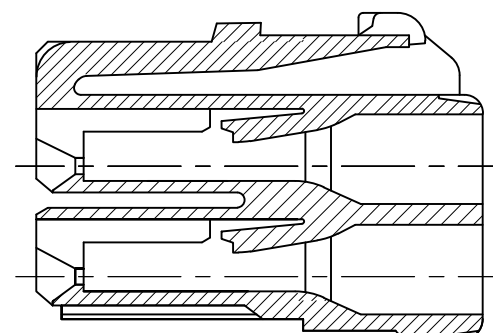
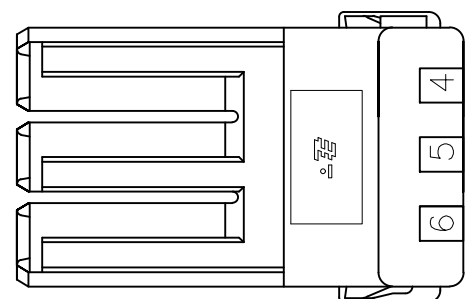
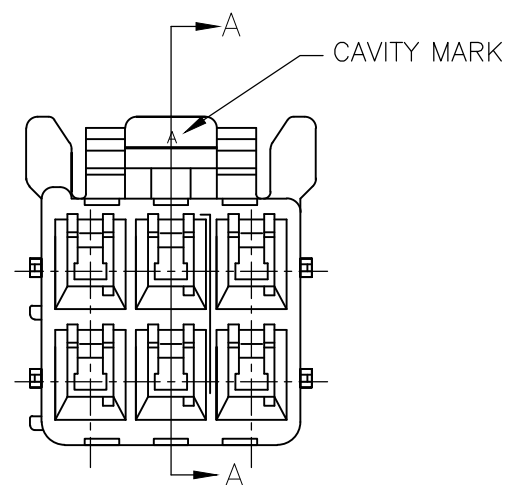
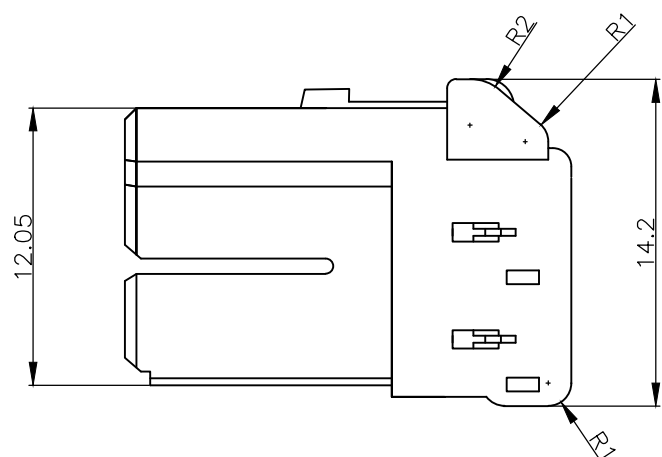
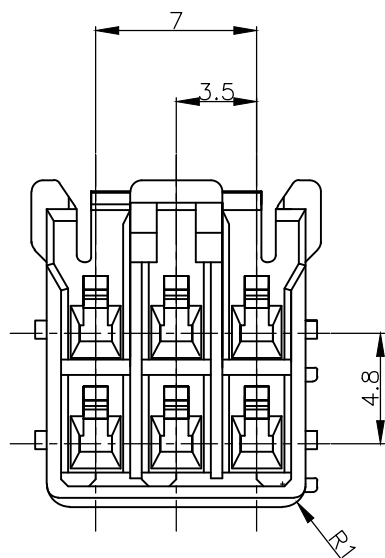
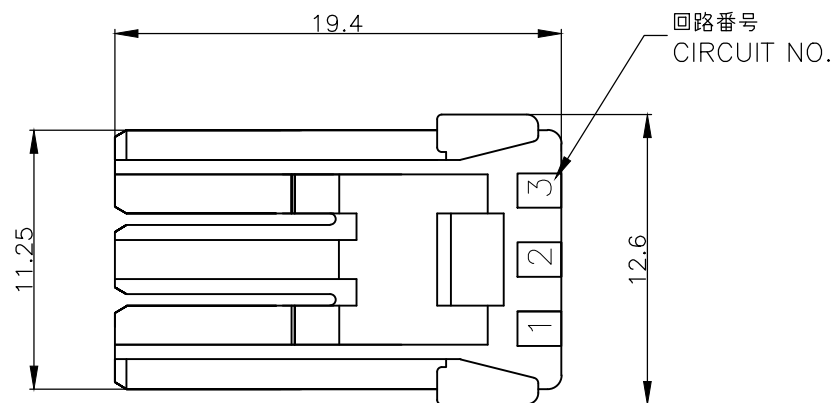
RELEASED FOR PUBLICATION

REVISIONS

© COPYRIGHT - TE Connectivity Ltd.

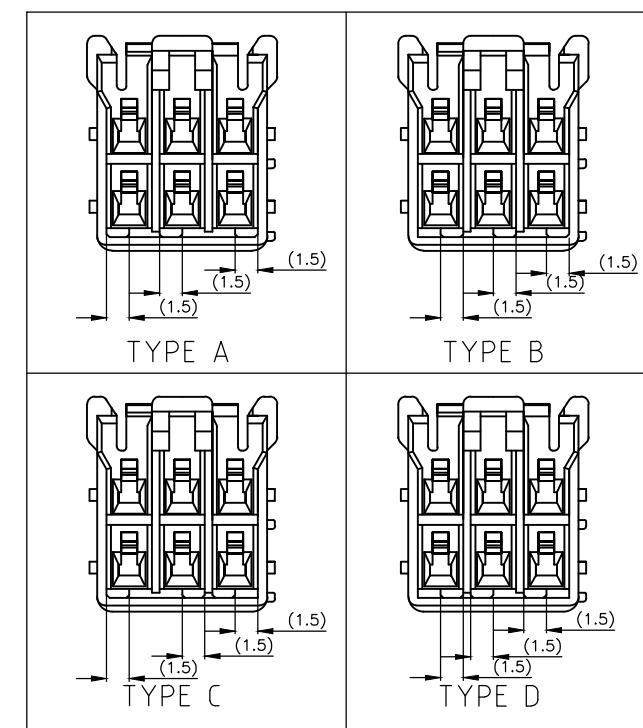
ALL RIGHTS RESERVED.

| P | LTR | DESCRIPTION               | DATE      | DWN | APVD |
|---|-----|---------------------------|-----------|-----|------|
|   | A2  | REVISED PER ECR-20-006615 | 08MAY2020 | SC  | D.Z  |



断面A-A  
SECT A-A

KEYING TYPE



|                |             |         |             |
|----------------|-------------|---------|-------------|
| 3-1565088-4    | D           | YELLOW  | 3-1565084-4 |
| 2-1565088-3    | C           | BLUE    | 2-1565084-3 |
| 1-1565088-2    | B           | RED     | 1-1565084-2 |
| 1565088-1      | A           | NATURAL | 1565084-1   |
| MATING HSG P/N | KEYING TYPE | COLOR   | P/N         |

注) 1.一般公差:±0.25

△材料: 66ナイロン ガラス無(UL94V-0)

△かん合相手製品型番

キャップハウジング: TABLE参照のこと

リセコンタクト: 1565079-1, 1612334-1

4. 適応プレート型番: 1565090-1

NOTES)

1.GENERAL TOLERANCE:±0.25

△MATERIAL:66 NYLON NON-GLASS FILLED (UL94V-0)

△MATING CONN. P/N

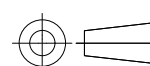
CAP HOUSING:SEE TABLE

REC CONTACT ;1565079-1,1612334-1

4. APPLICABLE PLATE P/N :1565089-1

THIS DRAWING IS A CONTROLLED DOCUMENT.

DIMENSIONS:  
単位: 耗  
mm



TOLERANCES UNLESS  
OTHERWISE SPECIFIED:  
一般公差

|        |   |
|--------|---|
| 0 PLC  | ± |
| 1 PLC  | ± |
| 2 PLC  | ± |
| 3 PLC  | ± |
| 4 PLC  | ± |
| ANGLES | ± |

MATERIAL  
材料

SEE NOTE △2

FINISH  
仕上

-

DWN 30 MAY. '02

A.OISHI

CHK 30 MAY. '02

M.SHINDO

APVD 30 MAY. '02

M.SHINDO

PRODUCT SPEC

製品規格

108-5810

APPLICATION SPEC

取付適用規格

114-5306

WEIGHT -

CUSTOMER DRAWING

NAME  
名称

GRACE INERTIA CONNECTOR 3.5  
6POS PLUG HOUSING  
グレイス・イナーシャ・コネクタ 3.5 6極 プラグハウジング

SIZE

A300779

CAGE CODE

DRAWING NO  
番号

C-1565084

RESTRICTED TO

-

SCALE  
尺度

-

SHEET

1 OF 1

REV

A2

## X-ON Electronics

Largest Supplier of Electrical and Electronic Components

*Click to view similar products for [Headers & Wire Housings](#) category:*

*Click to view products by [TE Connectivity](#) manufacturer:*

Other Similar products are found below :

[0015917161](#) [0022155065](#) [57102-F02-18ULF](#) [58102-G61-06LF](#) [582553-1](#) [01.001.5753.1](#) [0050291907](#) [02.125.8002.8](#) [609-3404](#) [61062-3](#)  
[CSU011177004](#) [622-0430](#) [622-3653LF](#) [63453-116](#) [636-1030](#) [636-1427](#) [636-3427](#) [636-4007](#) [641938-9](#) [65495-038](#) [65692-001LF](#) [65781-018](#)  
[65781-047](#) [65817-010LF](#) [65817-015LF](#) [67095-007LF](#) [67601157](#) [68631-112](#) [68645-018](#) [699319-000](#) [70.362.1628.0](#) [70-4210](#) [70-4226B](#) [70-](#)  
[4853B](#) [71.350.2428.0](#) [733-134](#) [733-162](#) [760-3052](#) [MHR-64-VUAL](#) [80.063.4001.1](#) [800-90-001-10-001000](#) [801-43-002-10-013000](#)  
[801-43-006-10-002000](#) [803-43-024-10-001000](#) [803-93-012-10-001000](#) [8-1437020-4](#) [819-22-004-30-001101](#) [820-22-006-30-001101](#)  
[820-22-008-30-001101](#) [821-22-002-10-001101](#)